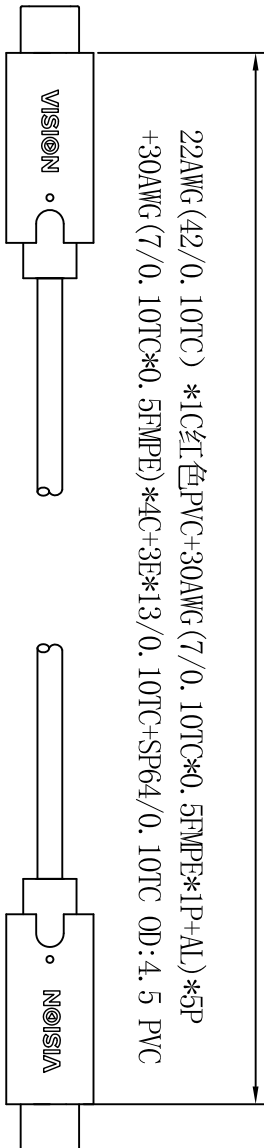
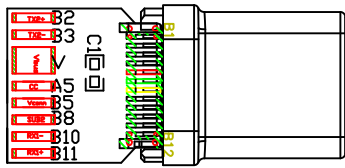
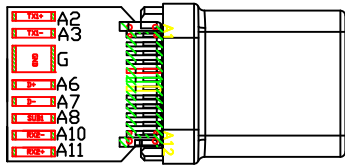


P1

L=1000MM ± 10MM  
L=1500MM ± 10MM



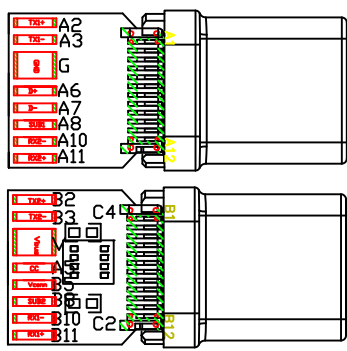
Single Screen Printing Logo:



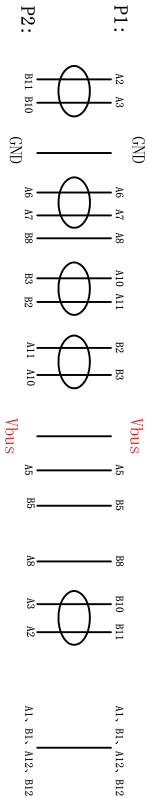
Ink Color: 444U



P2



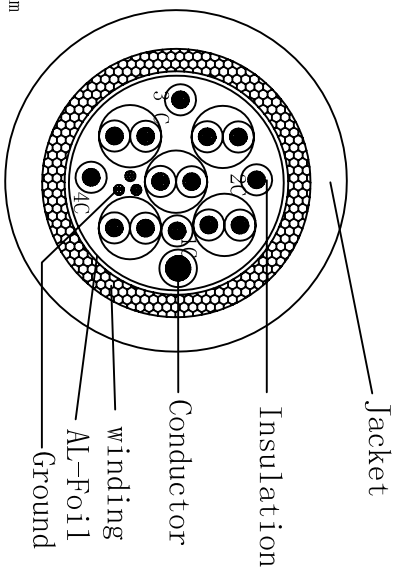
Pin assignment:



A12	A11	A10	A9	A8	A7	A6	A5	A4	A3	A2	A1
GND	Rx2+	Rx2-	Vbus	SBU1	D-	D+	CC	Vbus	Tx1-	Tx1+	GND
GND	Tx2+	Tx2-	Vbus	Vcom	SBU2	Vbus	Rx1-	Rx1+	GND	GND	GND
B1	B2	B3	B4	B5	B6	B7	B8	B9	B10	B11	B12

Notes:

1. 100% and on-off test
2. By charging and data transmission
3. USB C terminal exposed size 6.65 ± 0.1mm
4. The product conforms to the RoHS standard
5. Wire Printing: 80°C 30V VISION



No	Material	Specifications	Unit Dosage
1	USB C-C 3.1	22AWG (42/0.10TC) *1CPVC+30AWG (7/0.10TC*0.5FMPE*1P+AL)* 5P+30AWG (7/0.10TC*0.5FMPE)*4C+3E*13/0 .10TC+SP64/0.10TC OD:4.5 White PVC	M 1.030000
2	TYPE-C 3.1	1-B1110 EBI CM Stretch pearl nickel terminal gold 1U 'black glue, 3.1 without chip	PCS 1
3	TYPE-C 3.1	1-B110L EBI CM Stretch pearl nickel terminal gold 1U 'black glue, 3.1 band chip C1 = 10UF C2 = 1UF	PCS 1
4	Internal mol	LD PE	kg 0.003000
5	External mol	35P White pvc	kg 0.015
6	Wire	OD: 0.6MM Lead-free	kg 0.00003
7	Tie	White PVC 10cm	PCS 2

TOLERANCE

L ≤ 1.5m	± 10mm
1.5m < L ≤ 5m	± 20mm
5m < L ≤ 10m	± 40mm
L > 10m	± 50mm

SIGNATURE

Drawing: neo

Checking:

Approval:

DATE

2017.7.28

DRAFT

CUSTOMER No.:

USB.2CC.014

VERSION

A0

Unit: mm