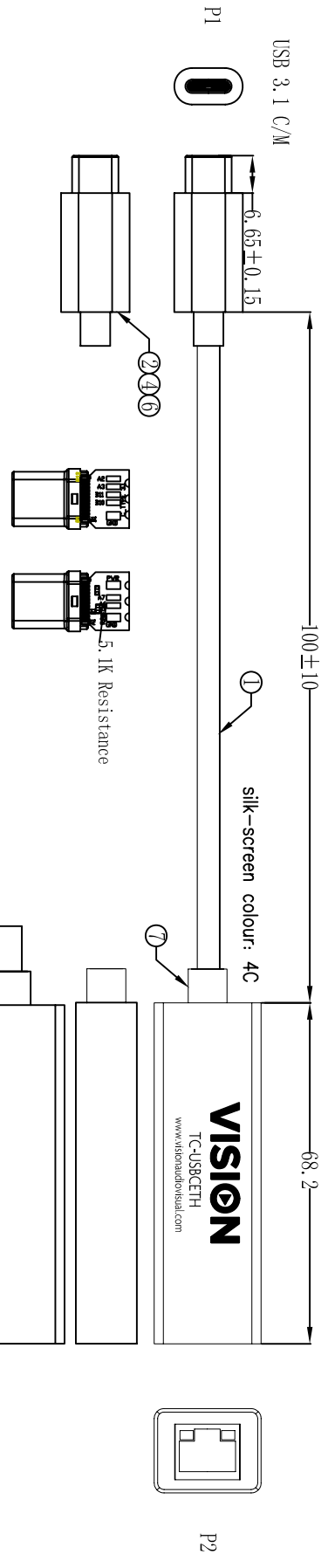
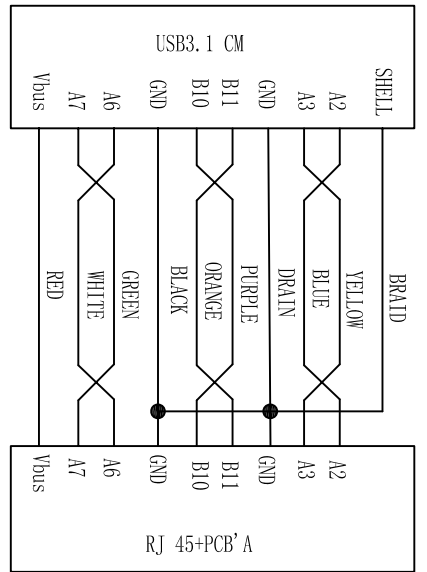
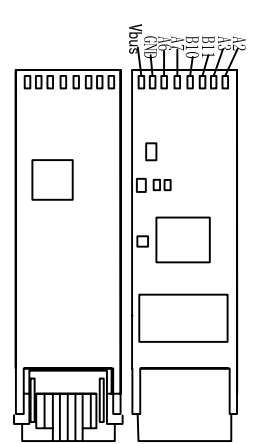
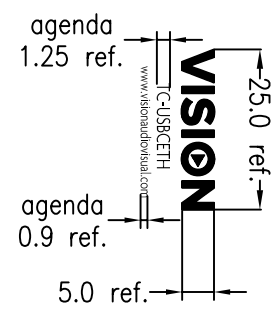


RoHS-COMPLIANT

REV. LTR	ECN/DESCRIPTION	DATE
1.0	NEW RELEASE	2017/06/21



NOTE:
 1. Computer test before burning the MAC address of network card, address not repeatable
 2. Computer test, can connect to the INTERNET for a good product.



6	OVER MOLD	WHITE PVC 45P							A/R
5	ABS COVER	R/45 WHITE BEFORE COVER R/45 WHITE MAIN ABS COVER							
4	ABS	USB3.1 CM-WHITE ABS							
3	PCBA	PCBA: USB3.0 TO RJ45 1000M (RT18153)							
2	插头	TYPE C/M+PCB (C TO 3.0 R2 5.1K 10nF) PIN: G/F, SHELL: Nickel							
1	CABLE	USB3.1 (#32*P-D+AL+MW) *4C-#32*4C-#32*P-#26*IC-#28*C+AB WHITE PVC 004 0MM							
NO. ITEM		MATERIAL DESCRIPTION		GENERAL TOLERANCES/APPROVED BY:		CHECKED BY:		Customer P/N:	
								4322273	
								TITLE: USB3.1 CM TO RJ45 (1000M) WHITE Ethernet	
								SHEET 1/1	

SIZE	UNITS	GENERAL TOLERANCES/APPROVED BY:		CHECKED BY:		Customer P/N:		TITLE:	
A4	MM[INCH]	X±0.50	X±5.0°			4322273		USB3.1 CM TO RJ45 (1000M) WHITE Ethernet	
SCALE	REV.	.XX±0.25	.XX±2.5°	DESIGN BY:		DWG NO.:		SHEET	
NONE	1.0	.XXX±0.15	.XXX±2.0°					1/1	