



Smart
Reliable
Technical

VISION
Product Catalogue 2017

Vision is a leading manufacturer of audio visual components, control products and accessories. Our team is dedicated to providing technical, reliable and smart products for AV installers that are best in class and brilliant value for money.

Established and run by a team of engineers with extensive experience of audio visual installations, our portfolio includes meeting room systems, stands, audio solutions, connectivity and brackets for the leading display products and clever solutions for education, corporate and digital signage applications.

The difference is Vision...

Support

Warranty

All our products have a lifetime warranty to give you peace of mind about their reliability. When we say we are totally focused on delivering reliable products, we mean it!

We benchmark our failure rates against competitors to make sure we are better. We'll also take back unopened stock you haven't used no matter how old.

Knowledge

Connected to the market

The team at Vision have extensive on-site and technical experience so we produce products which solve real-world issues.

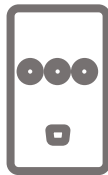
Service

Specialist integrator services

We work in partnership with our integrators for large roll outs, providing demo kit, training for your sales team on new products and innovations and samples for you to test in installations.

Get in touch with our distribution partners to buy Vision products or speak with us at www.visionaudiovisual.com @VisionAV on Twitter or chat to the team on LinkedIn.





Faceplates

Vision's flagship faceplate is Techconnect, a versatile modular audio-visual faceplate, allowing seamless integration of connectivity, audio and control.



Extenders

HDMI senders, splitters and wireless transmitters to effortlessly transmit your images and audio.



Cables

Robust cable options for every imaginable requirement. We engineer cables with a focus on construction, consistency and integrity.



Audio

A selection of active and passive loudspeakers designed for meeting spaces and education applications, and two Vision amplifiers.



Mounts

Floor stands, projector mounts, desk mounts and bracketry designed for the world's leading audio visual displays.



Media player

Vision's Media Players use Intel® processors and are full-powered in tiny space saving enclosures. Each model has bespoke input and output options.

AV-1800

2 x 50w Digital Amplifier

- 2 x 50w RMS (at 8 ohms) low impedance digital power amplifier
- 3 x Stereo inputs / 1 x Stereo Pre-Output / 1 x Balanced Mic input with Phantom Power
- Bluetooth Input
- IR remote included, RS-232 control



Details

The improved AV-1800 is compact, and has a simple interface with just two dials which are turned to adjust and pushed to switch. It has a selection of inputs – including Bluetooth and a microphone input, making it suitable for meeting rooms, small auditoriums, lecture theatres, school halls, and small churches.

Bluetooth

The amplifier can automatically switch to the Bluetooth source when it is paired. Bluetooth can be renamed and the pin changed by connecting to a PC (see software link below).

Microphone Input

It uses a professional XLR connector and the input is “balanced” to eliminate electro-magnetic noise induced on long cables. The microphone input has “Phantom Power” – a voltage which is required by condenser-type microphones such as lectern microphones.

RS-232

It can be controlled by a control device such as Techconnect Control via IR or RS-232. It also comes with an IR remote control gives the user bass and treble adjustment and direct input selection.

D-Class

An efficient Digital-class amplifier chip dramatically reduces power consumption especially at rest.

3 x Stereo Inputs

Three stereo inputs accept input from a variety of sources such as computers (via the headphone jack), tablets or phones. 2 of the inputs are via 2-phono (RCA) connectors on the rear panel. Input 3 is via a 3.5mm Minijack connector, and is duplicated on the front and rear panels for easy access.

Line Output

A line-level pre-output on the rear panel bypasses the internal amplifier. It would connect to a larger amplifier or powered loudspeakers. It is post-mix, which means any volume adjustment made on the front panel affects the output level.

Auto-Standby

If the amplifier senses no input it will automatically go into standby mode. When it senses input it will reactivate. Auto-standby can be disabled.

Mounting Options

Optional mounting hardware is included to allow cable-tying either to a projector ceiling pole, or into a rack.

[Manual](#)



Specifications

AMPLIFIER DIMENSIONS: 236 x 215 x 64mm / 9.05" x 8.46" x 2.56" (wide x deep x tall) not including dials and connectors

CARTON DIMENSIONS: 415 x 230 x 80 mm / 16.34" x 9.06" x 3.15"

AMPLIFIER WEIGHT: 2.0 kg / 4.4 lb

PACKAGED WEIGHT: 2.4 kg / 5.3 lb

COLOUR: White

INPUTS

3 x Stereo inputs via 2-phono (RCA) connectors / 1 x 3.5mm (1/4") minijack
1 x Bluetooth input
1 x Microphone inputs via balanced XLR

OUTPUTS

1 x Stereo Line-level output via phono connectors (post mix)

TECHNICAL DETAILS

2 x 50w @ 8 ohms
Total Harmonic Distortion <1%
Frequency response (line in): 20Hz~20kHz
Signal to noise ratio (line in): 75dB
Rating input level/Impedance: line in 800~900mV/47kohms
Operating temperature range: 0 to +40°C (32 to +104 °F)
Power consumption (rating condition): <=125W

ACCESSORIES INCLUDED

1 x 2-phono to 2-phono cable 2m long
1 x 3.5mm to 3.5mm minijack cable 2m long
2 x Unshielded Speaker Cable 5m long
1 x UK C7 figure-8 power cable 1.8 m long
1 x EU C7 figure-8 power cable 1.8 m long
1 x AU C7 figure-8 power cable 1.8 m long
1 x US C7 figure-8 power cable 1.8 m long
1 x Remote Control (Battery included: CR2025 3V Li-Mn)

POWER SUPPLY: 100~240V Internal Power Supply

WARRANTY: 3-year return to base

COMPLIANCES: RoHS, WEEE, CE/EMC, CE/LVD, C-TICK, FCC

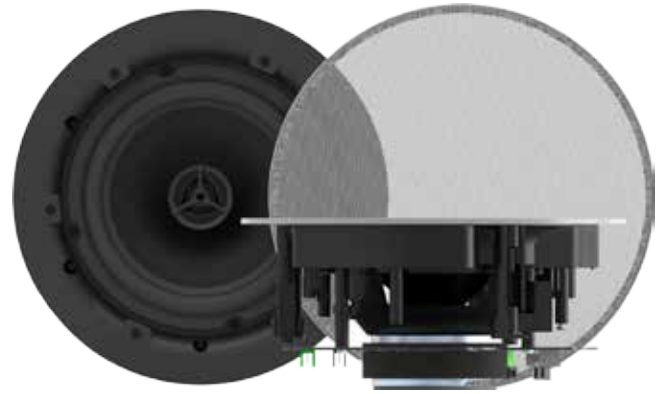
ORDER PART CODE: AV-1800 [SAP: 4262711]
or AV-1800+CS-1800 bundle [SAP:4363207]
or AV-1800+SP-1800B bundle [SAP:4363208]
or AV-1800+SP-1800 bundle [SAP:4363209]

SPARE IR REMOTE CONTROL: AV-1800 RC [SAP: 4360133]

CS-1800

Pair Ceiling Loudspeakers

- Beautiful bezel-less magnetic grille
- 6.5" Woofer, 0.5" Tweeter
- Premium cross-over



Details

The CS-1800 ceiling speakers feature a two-way design. They use the ceiling void as an infinite baffle - allowing undamped driver excursion - all of which adds up to rich, detailed sound. The main driver is a 6.5" polypropylene cone complimented by an advanced 0.5" tweeter. These low impedance speakers do not sacrifice frequency range like 100/70v line speakers do.

Magnetic Grille

The grille clips into place magnetically once the speakers are secured.

Invisible

The grille extends all the way to the edge of the speaker resulting in virtually no visible edge. This sleek new style allows the technology to visually disappear.

Simple to fit

A cutout template is included so the installer can easily trace the cut line in the ceiling tile. Cut a 198 mm (7.8") hole and fit the speaker; it's quick and easy.

Shallow

Only 82 mm (3.2") deep, the CS-1800 can be placed optimally around the room. They fit in any environment which has a false ceiling.

Crossover

A high quality crossover circuit is included to split the work between the woofer and tweeter.

High Sensitivity

Ceiling speakers often lack the power of wall speakers, but the CS-1800 has a higher sensitivity of 90dB to cut through high-noise presentation environments.

[Manual](#)



Specifications

LOUDSPEAKER DIMENSIONS:

232 x 92 mm / 9.1" x 3.6" (diameter 224 mm without grille)

CUTOUT SIZE: 198 mm / 7.8"

CARTON DIMENSIONS:

250 x 250 x 215 mm / 9.8" x 9.8" x 8.5"

SPEAKER WEIGHT: 1.1 kg / 2.4 lbs (each)

CARTON WEIGHT: 2.5 kg / 5.5 lbs (per pair)

POWER HANDLING: 35 Watt RMS

WOOFER: 6.5" Polypropylene

TWEETER: 0.5" Silk

CONSTRUCTION MATERIAL: ABS Plastic

SPEAKER TERMINALS: Binding post

NOMINAL IMPEDANCE: 8 ohms

SENSITIVITY: 89dB (1w/1m)

FREQUENCY RESPONSE: 50Hz-20kHz

COLOUR: White

WARRANTY: Lifetime return-to-base
2 years onsite (UK only)

COMPLIANCES: RoHS, WEEE, CE/EMC, C-TICK, FCC

ORDER PART CODE:

CS-1800 [SAP: 3715630]

or AV-1700+CS-1800 bundle [SAP:3802219]

or TC3-AMP+CS-1800 bundle [SAP:3802220]

SP-1800 PAIR

3-Way Wall Loudspeakers

- 5.25" Woofer 50w loudspeakers
- Wall brackets included with 60° range of tilt adjustment
- White, sold in pairs



Details

Vision's SP-1800 professional wall mounted loudspeakers are super-easy to install, look beautiful, and produce rich and powerful sound.

They are 240mm tall and use a 5.25 inch woofer - the most popular size for classroom, meeting room, and boardroom applications.

Three-Way

These loudspeakers use three drivers; a woofer, a squawker, and a tweeter. Asking a driver to produce a wide range of frequencies is always a compromise, so dividing the sonic range into three means each driver has a narrower range of frequencies to produce, resulting in less distortion and clearer sound.

Bass Reflex

A bass reflex port allows greater excursion of the woofer, allowing the woofer to produce lower frequencies, and the phase-delayed movement of air from behind the woofer to the front reinforces the bass even more.

Rugged Grille

A metal grille protects the drivers from physical interference.

Tough Finish

Constructed with tough ABS plastic, the finish withstands the rigors of the professional use.

Pro AV Applications

In small to medium presentation environments a wide dispersion is generally more important than microphone feedback management, so no horns are used.

Horizontal C bracket

The adjustable brackets allow the installer to easily angle up 30° or down 30°. Or leave the brackets off and use as shelf speakers.

Note: these are passive loudspeakers - there is no amplifier built in - so they need to be used with an external amplifier.

[Manual](#)
[CAD](#)

Specifications

PRODUCT DIMENSIONS:

244 x 180 x 174 mm / 9.61" x 7.1" x 6.85"
(tall x wide x deep for each speaker)

PACKAGED DIMENSIONS:

465 x 205 x 270 mm / 18.3" x 8.1" x 10.63"

PRODUCT WEIGHT:

4.2 kg / 9.26 lbs (per pair)

PACKAGED WEIGHT:

4.67 kg / 10.23 lbs (per pair)

CONSTRUCTION MATERIAL: ABS

COLOUR: White

TECHNICAL DETAILS:

Power Handling: 50 watts (RMS)

Woofer: 5.25"

Squawker: 1"

Tweeter: 0.5"

Input Terminals: Binding post

Output Impedance: 8 ohms

Sensitivity: 89dB (1w/1m)

Frequency response: 80Hz-20kHz

ACCESSORIES INCLUDED: 2 x Wall brackets

WARRANTY: Lifetime return-to-base

2 years onsite (UK only)

COMPLIANCE:

RoHS, WEEE, CE/ EMC, FCC, RCM-POC, RCM-SDOC

ORDER PART CODE:

SP-1800 [SAP: 3635038]

Bundled with AV-1700 amplifier:

AV-1700+SP-1800 [SAP: 3667252]

Bundled with TC2-AMP4 amplifier:

TC2-AMP4+SP-1800 [SAP: 3664098]

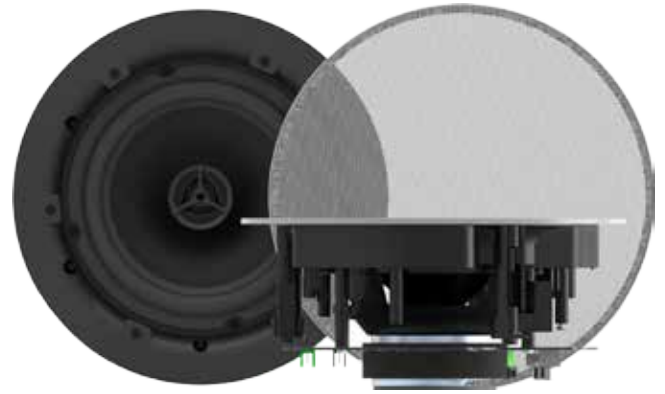
Bundled with TC3-AMP: TC3-AMP+SP-1800 [SAP: 3692237]

Black: SP-1800B [SAP: 3824151]



CS-1800P PAIR

60w Active Bluetooth Ceiling Speakers



- Integrated 2 x 30 watt (RMS) amplifier
- 1 x wired input / 1 x Bluetooth input
- Can be daisy-chained
- IR remote included

Details

The CS-1800P are based on Vision's passive ceiling loudspeakers but have a powerful 60 watt amplifier built in to eliminate the need for an external amplifier. They are suited to meeting rooms and classrooms where a discrete audio solution is required.

Bluetooth 4.0 LTE

Connect from your phone or laptop wirelessly. Note: implementation of Bluetooth drivers on Windows computers is variable so they don't always work

Rename Bluetooth

From November 2017 Connect to a PC via USB to rename and set the pin.

Auto-Switching

You can choose to automatically change to the Bluetooth input when a device is paired, or manually switch when you are ready.

Remote Control

A full range of options are presented on the IR remote control, including bass and treble adjustment.

IR Front and Rear

Switch between the front IR receiver, or the rear IR receiver (if using a wired control system), or off.

Master/Slave

Like Vision's other powered loudspeakers these are packaged and sold as a pair. The amplifier is housed in the "master" loudspeaker which has the connection panel, and there is a speaker output which connects to the passive "slave" loudspeaker.

Daisy-Chain

If you require two pairs for the room an audio output allows you to pass the audio signal on to a second pair of CS-1800P. In fact you can daisy-chain as many pairs as you need using this line-level audio output.

RS-232

To assist with integration into a fully controlled audio-visual environment these loudspeakers can be controlled with RS-232 (serial) codes.

Memory

When power is connected the CS-1800P automatically turns on and remembers the previous input and volume setting. Restoring power brings the loudspeakers back to life automatically.

2-Way Drivers

These loudspeakers feature a two-way woofer and tweeter design which sounds great in presentation or teaching environments.

Auto-Standby

If the amplifier senses no input it will automatically go into standby mode. As soon as you press play on your source device it will automatically switch on again. This automatic feature can be disabled with the remote control.

Bezel-less Grille

The bezel-less grille clips into place magnetically once the speakers are secured.

Simple to fit

A cutout template is included so the installer can easily trace the cut line in the ceiling tile. Cut a 198 mm (7.8") hole and fit the speaker; it's quick and easy.

Shallow

Only 95 mm (3.74") deep, the CS-1800P can be placed optimally around the room. They fit in any environment which has a false ceiling.

Crossover

A high quality crossover circuit is included to split the work between the woofer and tweeter.

[Manual](#)

[Bluetooth Mangement Software](#)



Specifications

LOUDSPEAKER DIMENSIONS:

232 x 95 mm/ 9.1" x 3.7" (diameter 224 mm without grille)

CUTOUT SIZE:

198 mm / 7.8"

CARTON DIMENSIONS:

250 x 250 x 270 mm / 9.8" x 9.8" x 10.6"

SPEAKER WEIGHT:

Master: 1.3 kg / 2.9 lbs

Slave: 1.2 kg / 2.7 lbs

CARTON WEIGHT:

4.0 kg / 8.8 lbs (per pair)

CONSTRUCTION MATERIAL:

Plastic (ABS)

COLOUR:

White

TECHNICAL DETAILS:

Amplifier Output: 2 x 30 watts (RMS)

Woofer: 6.5" Polypropylene

Tweeter: 0.5" Silk

Output Impedance: 8 ohms

Sensitivity: 89 dB (1w/1m)

Frequency response: 80 Hz-20 kHz

Power Consumption: ≤ 70 w

MASTER LOUDSPEAKER CONNECTIVITY:

TC2 P24V3A Power Supply Unit

Line-Level Input: 2-Phono or 3.5mm Minijack

Speaker Output: Phoenix connector

Daisy-chain Input: 3.5mm Minijack

Daisy-chain Output: 3.5mm Minijack

SLAVE LOUDSPEAKER INPUT:

Speaker input: Phoenix connector

ACCESSORIES INCLUDED:

1 x Speaker Cable 5 m (16.4') long

1 x Remote Control (Battery included: CR2025 3V Li-Mn)

POWER SUPPLY:

100-240v 50/60Hz AC External Power Supply – 24 volt / 3 amp.

Laptop-style transformer. Includes 4 x 0.5m figure-8 power

cables: UK/EU/US/AU. DC tail length: 4m.

Transformer dimensions: 120 x 52 x 32 mm / 4.72" x 2.0" x 1.2"

WARRANTY:

Lifetime return-to-base

2 years onsite (UK only)

COMPLIANCE:

RoHS, CE/EMC, IEC, FCC, SIG, RCM, TVC

ORDER PART CODE:

CS-1800P [SAP: 3715630]

SPARE IR REMOTE CONTROL:

CS-1800P RC [SAP: 3940955]

SPARE POWER SUPPLY UNIT (PSU):

TC2 P24V3A [SAP: 3940953]



SB-800P

30w Active Soundbar

- Built-in 2 x 15 watt (RMS) amplifier
- Line-level inputs or speaker-level inputs
- Wall brackets and flat-panel brackets included



Details

Vision's SB-800P Soundbar is a simple way to add quality audio to professional flat-panel screens which do not have speakers integrated. The attractive chassis enhances any audio-visual installation in meeting rooms, boardrooms, and conference rooms.

Mobile Audio

If users need to be able to move their interactive flat panel screen between rooms Vision's soundbar is the perfect choice. The soundbar can be hung under the flat panel, attaching to the flat panel floor mount at the same points the flat panel uses.

4-Way

Two 3.5" woofers are complemented by two tweeters. A crossover circuit splits the frequency spectrum across four drivers to maximise efficiency.

Volume Control

The volume dial is positioned underneath the loudspeaker. Turning anti-clockwise turns power off. Note: no remote control is included.

Wall Bracket

If the flat-panel is wall mounted then a wall bracket is included which fixes the soundbar close to the wall.

Hanging Brackets

A set of 700 mm (27.6") brackets is also included which hang the soundbar under the flat panel.

Speaker-Level Input

As well as being able to connect any line-level device to the SB-800P – like your phone – you can also opt to bypass the internal amplifier and use the soundbar as passive speakers. Some flat panels have an amplifier inside, so this approach allows you to use the flat-panel remote to adjust volume.

Heavy-weight plastic material is used for the chassis, allowing a beautiful curved chassis and a rigid acoustic chamber for low-distortion sound.

Two Summed Line-level Inputs

The input panel offers minijack and 2-phono (RCA) line-level inputs which are combined at the input stage meaning there is no input selection switch. When both inputs are used it is especially important that all source and display devices in the system are powered from the same mains power source, otherwise earth hums will occur.

[Manual](#)

[CAD \(shows brackets\)](#)

Specifications

PRODUCT DIMENSIONS:

756 x 75 x 99mm / 29.8" x 2.9" x 3.9" (width x depth x height)

PACKAGED DIMENSIONS: 870 x 92 x 135 mm /

34" x 3.6" x 5.3"

PRODUCT WEIGHT: 2 kg / 4.4 lb

PACKAGED WEIGHT: 2.7 kg / 5.9 lb

CONSTRUCTION MATERIAL: ABS Plastic

COLOUR: Black

TECHNICAL DETAILS:

Amplifier Output: 2 x 15w watts (RMS)

Woofer: 2 x 3.5"

Tweeter: 2 x 0.5"

Input 1: Minijack (3.5mm)

Input 2: 2-Phono (RCA) (inputs are summed)

Speaker Input (from flat panel if it has internal amplifier):

Removable Phoenix type

Output Impedance: 8 ohms

Sensitivity: 88dB (1w/1m)

Frequency response: 120Hz-20kHz

ACCESSORIES INCLUDED:

1 x Wall bracket

2 x 700mm mounting strips – to hang soundbar beneath flat panel. Note: no input cables are included

POWER SUPPLY:

100-240v 50/60Hz AC External Power Supply – 18 volt / 1 amp

Transformer integrated into plug. Includes interchangeable plugs: UK/EU/US/AU. DC tail length: 4m.

Transformer dimensions: 75 x 38 x 50mm / 3" x 1.5" x 2" (tall x wide x deep) including prongs

WARRANTY: Lifetime return-to-base

2 years onsite (UK only)

COMPLIANCE:

RoHS, WEEE, CE/EMC, FCC, RCM-POC, RCM-SDOC

ORDER PART CODE: SB-800P [SAP: 3872395]

SPARE POWER SUPPLY UNIT (PSU):

TC2 P18V1A [SAP: 3675051]



SP-800P PAIR

24w Active Loudspeakers

- Built-in 2 x 12 watt (RMS) amplifier
- Two inputs (1 x Minijack / 1 x 2-Phono)
- Adjustable-tilt wall brackets included



Details

The SP-800P are Vision's most cost-effective audio solution. They are purpose-built for small meeting rooms and classrooms. Incredible value for money; they offer great sound quality and Vision's trademark ease of installation.

3-Way

A 4" woofer is complemented by a tweeter and squawker. Splitting the frequency spectrum across three drivers reduces distortion.

Volume Control

The volume dial is positioned on the rear of the 'master' loudspeaker – the one containing the amplifier. Turning anti-clockwise turns power off.

Horizontal C bracket

The adjustable brackets allow the installer to easily angle up 30° or down 30°. Or leave the brackets off and use as shelf speakers.

Flexible Connectivity

The rear panel of the master loudspeaker offers minijack and 2-phono (RCA) inputs.

ABS Chassis

Heavy-weight plastic material is used for the chassis, allowing a beautiful curved chassis and a rigid acoustic chamber for distortion-free sound.

Bass Reflex

A bass reflex port allows greater excursion of the woofer, allowing the woofer to produce lower frequencies, and the phase-delayed movement of air from behind the woofer to the front reinforces the bass even more.

Two Summed Line-level Inputs

The input panel offers minijack and 2-phono (RCA) line-level inputs which are combined at the input stage meaning there is no input selection switch. When both inputs are used it is especially important that all source and display devices in the system are powered from the same mains power source, otherwise earth hums will occur.

[Manual](#)
[CAD](#)

Specifications

PRODUCT DIMENSIONS:

202 x 149 x 144 mm / 7.95" x 5.87" x 5.67"
(tall x wide x deep for each speaker)
(length x width x height for each speaker)

PACKAGED DIMENSIONS:

370 x 170 x 215 mm / 14.6" x 6.7" x 8.7"

PRODUCT WEIGHT: 3.4 kg / 7.5 lb (per pair)

PACKAGED WEIGHT: 3.5 kg / 7.7 lb (per pair)

CONSTRUCTION MATERIAL: ABS Plastic

COLOUR: White

TECHNICAL DETAILS:

Amplifier Output: 2 x 12w watts (RMS)

Woofer: 4"

Tweeter: 1"

Squawker: 2"

Input 1: Minijack (3.5mm)

Input 2: 2-Phono (RCA)

Speaker Output: Removable Phoenix type

Speaker Input (on slave): Removable Phoenix type

Output Impedance: 4 ohms

Sensitivity: 85dB (1w/1m)

Frequency response: 100Hz-16kHz

ACCESSORIES INCLUDED:

2 x Wall brackets

1 x Speaker Cable 5m (16.4 ft)

Note: no input cables are included

POWER SUPPLY: 100-240v 50/60Hz AC External Power Supply – 18 volt / 1 amp

Transformer integrated into plug. Includes interchangeable plugs: UK/EU/US/AU. DC tail length: 4m.

Transformer dimensions:

75 x 38 x 50mm / 3" x 1.5" x 2" (tall x wide x deep) including prongs

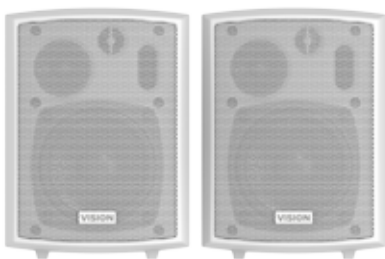
WARRANTY: Lifetime return-to-base
2 years onsite (UK only)

COMPLIANCE: RoHS, WEEE, CE/EMC, FCC, RCM-POC, RCM-SDOC

ORDER PART CODE: SP-800P [SAP: 3645601]

SPARE POWER SUPPLY UNIT (PSU):

TC2 P18V1A [SAP: 3675051]



SP-1800P PAIR

60w Active Loudspeakers



- Integrated 2 x 30 watt (RMS) analogue amplifier
- Two inputs, IR remote included
- RS-232 Control
- New from Oct 2017: Bluetooth input

Details

Vision's premium powered bookshelf speakers are purpose-built for any audio-visual presentation environments such as classrooms and meeting rooms, or bars and restaurants. They are simple to install and sound great!

Serial Control

RS-232 control means the SP-1800P can be controlled by a control system such as Crestron or AMX, or by Vision's own Techconnect Control.

Auto Standby

Features auto standby which saves power. This feature can be disabled via the remote control or a control system.

Remote Control

A full range of options are presented on the IR remote control, including bass and treble adjustment.

Bluetooth

** New from Oct 2017** Connect from your phone or laptop wirelessly. Note: implementation of Bluetooth drivers on Windows computers is variable so they don't always work



5.25" Woofer

They are 240mm tall and use a 5.25 inch woofer - the most popular size for classroom, meeting room, and boardroom applications.

Horizontal C bracket

The adjustable brackets allow the installer to easily angle up 30° or down 30°. Or leave the brackets off and use as shelf speakers.

Bluetooth

** New from Oct 2017** Connect from your phone or laptop wirelessly. Speakers can auto-switch from line-level input when Bluetooth is paired if user chooses.

Rename Bluetooth

From October 2017 Connect to a PC via USB to rename and set the pin.

Memory

When power is connected the SP-1800P automatically comes on and remembers the previous volume setting. Restoring power brings the loudspeakers back to life automatically.

Summed Inputs

The two inputs are summed to avoid the need to switch.

[Manual](#)

[CAD](#)

[Bluetooth Management Software](#)

Specifications

PRODUCT DIMENSIONS:

244 x 180 x 174 mm / 9.61" x 7.1" x 6.85"
(tall x wide x deep for each speaker)

PACKAGED DIMENSIONS:

465 x 205 x 270 mm / 18.3" x 8.1" x 10.63"

PRODUCT WEIGHT: 4.78 kg / 10.54 lbs (per pair)

PACKAGED WEIGHT: 5.25 kg / 11.57 lbs (per pair)

CONSTRUCTION MATERIAL: ABS

COLOUR: White

TECHNICAL DETAILS:

Amplifier Output: 2 x 30 watts (RMS)

Woofer: 5.25"

Tweeter: 0.5" + Piezo 1"

Input 1: Minijack (3.5mm)

Input 2: 2-Phono (RCA)

Speaker Output: Removable Phoenix type

Speaker Input (on slave): Bare-wire screw type

Output Impedance: 4 ohms

Sensitivity: 85 dB (1w/1m)

Frequency response: 50Hz-20kHz

Power Consumption: ≤ 100 w

POWER SUPPLY: 100-240v 50/60Hz AC External Power Supply
- 16 volt / 5.4 amp.

Laptop-style transformer. Includes 4 x 0.5m (1.6 ft) figure-8 power

cables: UK/EU/US/AU. DC tail length: 4m (13.1 ft).

Transformer dimensions: 149 x 59 x 35 mm / 5.9" x 2.3" x 1.4"

ACCESSORIES INCLUDED:

2 x Wall brackets

1 x Euro Figure-8 Power cable 0.5 m (1.6') long

1 x UK Figure-8 Power cable 0.5 m (1.6') long

1 x AU Figure-8 Power cable 0.5 m (1.6') long

1 x US Figure-8 Power cable 0.5 m (1.6') long

1 x Speaker Cable 5 m (16.4') long

1 x Remote Control (Battery included: CR2025 3V Li-Mn)

Male to Male 9-Pin Serial adaptor

WARRANTY: Lifetime return-to-base

2 years onsite (UK only)

COMPLIANCE: RoHS, CE/EMC, CE/EMC-TR, FCC, FCC-V, IEC-TR, RCM, RCM/EMC, RCM/TVC, RCM-D

ORDER PART CODE:

SP-1800P [SAP: 3645602]

BLUETOOTH VERSION: SP-1800PBT [SAP:4313061]

SPARE IR REMOTE CONTROL:

SP-1800P RC [SAP: 3940954]

SPARE REMOTE CONTROL FOR BLUETOOTH VERSION: CS-

1800P RC [SAP:3940955]

SPARE POWER SUPPLY UNIT (PSU):

TC2 P16V5.4A [SAP: 3824152]

VRS

Vision Room Scheduling

- Shows meeting room calendar on touch display outside meeting room
- Allows any room to be booked from any VRS touch display
- Works with your existing calendar system including Office 365
- Works on LG 10SM3TB and Philips 10BDL3051T digital signage tablets



Details

Eliminate double-booking confusion; put VRS outside each meeting room to show who has reserved the room and when.

Adhoc meetings

Users can walk up to any VRS display in your building, find a free room, and book it.

Extend or End

VRS can end and extend reservations. Setup is as simple as creating a e-mail user account for VRS to logon with and assigning read and write permissions.

No-Show Auto-Cancel

An optional start button can appear before a meeting is due to start. If the button is not pressed within a user-defined time the booking can be automatically cancelled. Choose for the booking to stay on the server or be deleted.

Any Calendar system

VRS works natively with your existing system. No special software. No licenses. No complexity. Reserve meeting rooms in your Outlook/Gmail etc calendar as you normally would. VRS shows all booking relating to a given room.

Serves One or Many

Use one touch display to serve a cluster of rooms, or one per room. Select "other rooms" to view other room calendars.

Calendar View

By default the calendar view is full screen, but users can opt to show company logos – up to 5 scrolling images. Users can choose to deactivate some or all of the buttons – other rooms, start, extend, and end. The calendar supports pinch and zoom and can be customised.

Weather

A optional weather icon warns delegates what to expect outside.

PIN Access to Settings

The settings page is now protected by pin access.

Occupancy Report

Choose to use Bluetooth to log nearby devices so that facility managers can create an indicative occupancy report. Enter an e-mail address in the settings field to be sent the csv file once a week. VRS captures proximity of nearby devices and the length of time they were nearby.

Advanced Exchange Features

Outlook Exchange allows rooms (resources) to be grouped into clusters in various ways. VRS support Room Lists (activate in PowerShell with command prompt), Distribution Lists – Ideal if you use a hosted server, and Room Name Filter – which simply filters on all the rooms with defined characters in their name e.g. "new york" (supports up to 100 rooms).

Permissions

The network administrator creates a user for VRS to login with, and sets permissions to limit which room calendars a VRS device can read and write to.

Hardware

VRS is tested and works on LG 10SM3TB and Philips 10BDL3051T digital signage tablets. These devices use Power-over-Ethernet which is more reliable than wifi. VRS caches to ensure uninterrupted service, and it looks for updates every day without user intervention.

VRS comes on a MicroSD card which is inserted into the tablet to run the app.

VRS only runs on tested hardware. Need to run it on another Android device? Get in touch via contact us below so we can set this up for you.

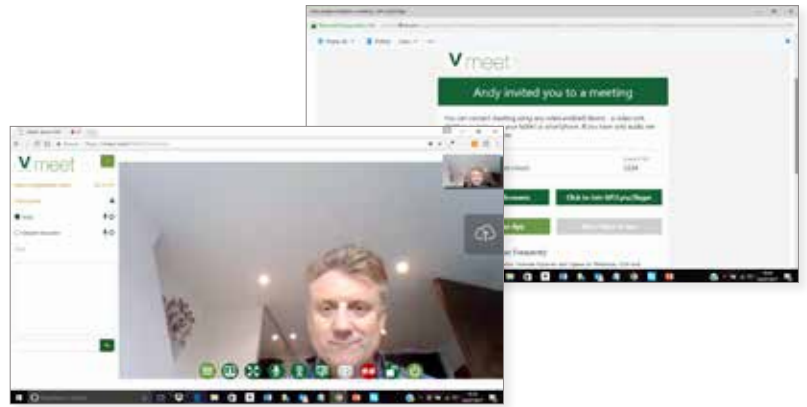
[Manual](#)
[Installation Manual](#)

ORDER PART CODE:
VRS [SAP: 4359477]

VMEET

Virtual Conference Bridge

- Hosted platform which makes video conferencing systems interoperable
- Acts as gateway between Skype for Business and legacy hardware systems
- Simplifies user experience



Details

Interoperability is one of the biggest challenges for businesses; refreshing, buying additional end points, or even about to adopt a new video conferencing and collaboration solution. Vision VMeet creates a virtual meeting space delivering a seamless experience for users of most video conferencing platforms and solutions (excluding Google Hangouts) through their own video conferencing interface.

Deferring investment?

Do you defer investing in video conferencing and collaboration solutions due to...

- Initial investment costs?
- Integration with legacy systems, maybe a mixed estate of platforms?
- Integration with systems outside of your network?

Would you like to move your existing collaboration solution to the cloud but don't want to you change your user experience, and risk reducing user engagement / adoption?

Why VMeet?

Cloud-Based

Cloud based interoperability solution connecting users on most existing platforms.

ZERO upfront cost

No upfront investment and no requirement for management of additional physical infrastructure.

Familiar Interface

Users retain a familiar interface. No complex equipment.

Subscription Options

Easy range of subscriptions from 'pay as you go' to monthly or annual room costs.

Analytics

Harness your data; knowing frequency of usage and quality of service enables you to manage and justify the return of investment across your complete conferencing estate.

Benefits

- Increased usage of your existing video conferencing and collaboration solutions
- Connect existing users on different platforms together instantly and seamlessly
- No up-front investment into any additional on premise infrastructure
- Flexible subscriptions available to suit your individual requirements
- Retain an existing, familiar user interface so no risk of reduction in user engagement/adoption
- Gain access to data that will allow you to manage and justify your infrastructure
- Save up to 90%, when compared to a hardware interconnectivity / bridging solution

Q&A

1. **I already have equipment.** Why should I invest more? This cloud based solution will help you to maximise use of your existing infrastructure, extending conferencing out to customers and suppliers on disparate platforms and connecting your users through familiar interfaces, driving up adoption.

2. **We have displays already...** can we use these? Easily transform these isolated presentation environments into collaboration spaces with the addition of simple VC solutions such as Logitech Group Kit or SRS. Both solutions supply the processing and user interfaces (camera, microphone and speakers) needed to create a V/C space and with the addition of VMeet, you have a complete collaboration solution.
3. **How easy is this solution to deploy – will it just work?** Yes VMeet provides a seamless connection from your existing video equipment, connecting SIP, H.323 or IP addressed units, fully compatible with most legacy video conferencing solutions. This service can be deployed in as little as 80 minutes!
4. **What will the user experience be like?** The user experience will be seamless; the users 'normal' interface is retained, therefore no re-training or adoption curve.
5. **Will I achieve any cost savings?** Use the devices you have already invested in, increase usage and enjoy faster decision time as well as transitioning costs from Capex to Opex, saving up to 90% when compared to purchasing a hardware bridge.

TC-HDMI31

HDMI Switcher



- RS-232 and remote control
- 4K2K at up to 60Hz
- HDMI v2.0 3:1 switching

Details

Vision's professional-grade HDMI switcher connects to up to three sources and switches between them with ease. Ideal for corporate installations where fast switching and reliable HDCP management is important.

Fast Switching

Automatic EDID (extended display identification data) management and fast switching.

3D Support

Supporting resolutions of up to 4K2K@60Hz, this switcher easily supports 3D.

High Bandwidth

The TC-HDMI31 has a bandwidth of up to 18Gbps – three times faster than our previous model!

Plug and Play

This product uses the latest switching chipset to ensure it has excellent compatibility with a wide range of source devices.

Remote Control

An IR remote control is included which has direct select buttons, or toggle up and down buttons, along with discreet on and off buttons.

RS-232 Control

The HDMI switcher can be controlled by a control system via RS-232.

Stable Performance

A metal heat sink keeps the circuit cool to ensure stable performance.

[Manual](#)

[DXF](#)

[DWG](#)



Specifications

PRODUCT DIMENSIONS:

160 x 50 x 20 mm / 6.3" x 2.0" x 0.8" (length x width x height)
PACKAGED DIMENSIONS: 200 x 150 x 80 mm / 7.9" x 5.9" x 3.2"

PRODUCT WEIGHT: 0.23 kg / 0.5 lb

PACKAGED WEIGHT: 0.74 kg / 1.63 lb

CONSTRUCTION MATERIAL: Metal

COLOUR: White

TECHNICAL DETAILS:

Bandwidth: 18Gbps (6Gbps/TDMS Channel)

Maximum pixel clock: 600 MHz

Input Video Signal: 3.0-3.3 volts p-p

Input DDC Signal: 5 volts p-p (TTL)

Video Impedance: 100 Ohms

Audio Formats Supported: Standard, DSD (Direct Stream Digital), HD (HBR)

Maximum Video Format Supported: 4K@60Hz, 12 bit, Deep

Colour, Lip Sync

HDMI Version: 2.0

HDCP Version: 2.2

ESD Protection: \pm 4kV (contact discharge through user)

Operating Temperature Range: 0-60°C (32-140 °F)

Operating Humidity Range: 10-90 % RH (no condensation)

Power Consumption: 10 watts (Max.)

INPUTS:

3 x HDMI (type A)

1 x RS-232 (male 9-pin D-sub)

OUTPUTS:

1 x HDMI (type A)

POWER SUPPLY: 100-240v 50/60Hz AC 5 volt / 1 amp

FJ (Fuji). Transformer integrated into plug. Includes interchangeable plugs: UK/EU/US/AU. DC tail length: 1.8m.

Transformer dimensions: 66 x 43 x 32 mm / 2.6" x 1.7" x 1.3"

ADDITIONAL INDIAN POWER SUPPLY: 100-240v 50/60Hz AC

5 volt / 2 amp

BX (Borasan). Transformer integrated into plug. DC tail length:

1.5m. Transformer dimensions: 73 x 40 x 50 mm /

2.9" x 1.6" x 2.0"

ACCESSORIES INCLUDED:

1 x IR Remote Control (Battery included CR2025)

1 x Fixing Adhesive strip

1 x 9-Pin D-Sub Serial Cable 0.75 m (2.5 ft) female to female

WARRANTY: Lifetime return-to-base

2 years onsite (UK only)

PSU COMPLIANCE: RoHS, WEEE, CB Certification, BIS CRS,

BSMI, CCC, CE/EMC, cUL, EAC, FCC, KCC, Kvalitet, PSE,

RCM, SAA, C-TICK, SDoC, S-Mark, UkrTEST

SWITCHER COMPLIANCE: RoHS, WEEE, CE/EMC, BSMI, CB

Certification, C-TICK, EAC, FCC, IEC, KCC

ORDER PART CODE: TC-HDMI31 [SAP: 4053413]

SPARE POWER SUPPLY UNIT (PSU): TC2 P5V2A

[SAP:2940996]

TC-HDMI12

HDMI Splitter



- 1:2 HDMI distribution amplifier
- 4K @ 60 Hz
- HDMI v2.0 with EDID management

Details

This functional amplifier splits the signal from one source – such as a PC or BluRay player – into two outputs for two displays. Applications include digital signage, meeting rooms, lecture theatres, home cinemas – anywhere you need to duplicate an HDMI signal.

Supports 3D

As an HDMI v2.0 device it supports 4K at 60Hz, and can support 3D.

HDCP 2.2

Features HDCP (copy protection) management which continuously authenticates HDCP encryption between all devices, ensuring simultaneous distribution of source content to all displays.

EDID Management

EDID is when the source “asks” the display what resolution it is, and outputs that resolution. If the resolutions of the two displays vary it can cause EDID handshake issues. This can be overcome by using the DIP switches on this splitter to fix the resolution; the splitter tells the source to output a resolution that might not match the displays, but most displays can accept and scale a resolution the same or less than their native resolution.

15m (50') Output

Supports a signal transmission distance of up to 15 metres at 4K/12-bit colour when used with a standard Vision 15 metre cable. Note: distance can vary depending on signal resolution, cable quality, graphics card, and display.

Noise Reduction

This distribution amplifier ensures signal integrity by equalizing and regenerating the incoming signal. It reshapes marginal or noisy HDMI signals eliminating noise and reducing jitter from marginal HDMI sources, ensuring a strong, stable digital signal.

Trouble-Shooting Indicators

If the output LEDs are on the displays are connected and powered on. If they are off the displays are either not connected or not powered on. If the LEDs are flashing you have an EDID issue.

[Manual](#)



Specifications

PRODUCT DIMENSIONS: 101 x 59.5 x 17 mm / 3.98" x 2.34" x 0.67" (length x width x height)

PACKAGED DIMENSIONS: 155 x 117 x 77 mm / 6.1" x 4.61" x 3.03"

PRODUCT WEIGHT: 0.16 kg / 0.35 lb

PACKAGED WEIGHT: 0.42 kg / 0.93 lb

CONSTRUCTION MATERIAL: Metal

COLOUR: White

TECHNICAL DETAILS

Video Amplifier Bandwidth: 18 Gbps

Input Video Signal: 0.5-1.2 volts p-p (TMDS)

Input DDC Signal: 5 volts p-p (TTL)

Maximum Video Format Supported: 4K @ 60Hz, Deep Colour, Lip Sync

Output Video: HDMI 2.0

Maximum Audio Format Support: Direct Stream Digital and HD (HBR)

ESD Protection: ± 4kV (contact discharge through human body)

Operating Temperature Range: -0 to +35°C (-41 to +95 °F)

Operating Humidity Range: 10 to 90 % RH (no condensation)

Power Consumption: 5 Watts (max.)

INPUTS:

1 x HDMI (type A)

OUTPUTS:

2x HDMI (type A)

TC2 P5V2A Power Supply Unit **POWER SUPPLY:** 100-240v 50/60Hz AC 5 volt / 1 amp

Transformer integrated into plug. Includes interchangeable plugs: UK/EU/US/AU. DC tail length: 1.8m. Transformer dimensions: 66 x 43 x 32mm / 2.6" x 1.69" x 1.26"

ACCESSORIES INCLUDED:

WARRANTY: Lifetime return-to-base
2 years onsite (UK only)

COMPLIANCE: RoHS, WEEE, CE/EMC, FCC, RCM, TVC

ORDER PART CODE: TC-HDMI12 [SAP: 4272586]

REPLACEMENT POWER SUPPLY: TC2 P5V2A [SAP:2940996]

TC-HDMIIP

HDMI-over-IP



- Distributes HDMI via a network, H.264 compression
- One-to-One directly or One-to-Many over LAN
- R Pass-through

Details

The TC-HDMIIP converts HDMI signal into TCP/IP packets for transmission over a standard LAN network. With no visible loss of video quality it is perfect for corporate and digital signage applications. Each receiver on a network uses a compact 18Mbps bandwidth thanks to the H.264 compression.

One to Many

Need to display one source on many screens? This product is perfect! It multi-casts, so you can have one transmitter for the source, and up to 253 x receivers can set on the network - one for each display. Only one transmitter per network.

Point to Point without LAN

Connect one transmitter directly to a receiver and completely bypass a network. This will work with a standard CAT6 cable up to 120m (394 ft) long.

Maximum Length

If using a LAN the signal will be repeated by each node on the network, resulting in unlimited length.

Resolution

Fully HDCP 1.2 compliant, it supports resolutions up to 1920 x 1080 (also known as 1080P).

Audio

Digital audio encoded on the HDMI signal is transmitted.

IR Pass-Through

Control the source device from the display with the IR pass-through. An IR blaster and receiver cable is included, and it supports standard 20-60kHz IR signals.

Plug and Play

EDID (extended display identification data) is automatically passed through. Just connect everything together and it will work immediately.

EQ-Free

The signal passes through a network without the normal skew and balancing distortion.

H.264 Compression

Video is compressed using the H.264 protocol - the same type of compression used on Blu-Ray. Images are full colour with smooth motion.

LAN Protocols

Despite using the standard IP protocols you don't need to be a network engineer. All end points must be on the same subnet... that's all you need to know. For best results use a stand-alone network for this system.

Dual-Power

This product requires a power supply for each transmitter and receiver.. It does not use PoE.

Unmanaged Switch

Many video-over-IP solutions require a managed switch so that IGMP snooping can be enabled, but in this case no advanced switch setup is required, so a low cost unmanaged switch can be used.

[Manual](#)

Specifications

TRANSMITTER DIMENSIONS:

97 x 94 x 24 mm / 3.82" x 3.70" x 0.94" (length x width x height)

RECEIVER DIMENSIONS: as above

PACKAGED DIMENSIONS: 150 x 117 x 77 mm / 5.90" x 4.60" x 3.03"

PRODUCT WEIGHT: 0.145 kg / 0.31 lb per set

PACKAGED WEIGHT: 0.35 kg / 0.77 lb per set

CONSTRUCTION MATERIAL: Metal

COLOUR: White

TECHNICAL DETAILS:

Latency: 200 ms

Compression type: H.264

Standard: IEEE-568B

Cable: CAT5E/6 Shielded or Unshielded

Bandwidth: 18Mbps per receiver

HDMI Version: 1.3 (3D not supported)

HDCP Version: 1.2

Maximum cable length: 120m (394 ft)

CAT5e: 100m between ethernet devices

CAT6: 120m between ethernet devices

Maximum resolution: 1080p@50/60Hz (1920 x 1080)

Operating temperature range: 0°C ~60 °C

Operating humidity range: 20%~90%

Max Power Consumption

Transmitter: 3.5 Watts

Receiver: 3 Watts

CONNECTIVITY:

1 x HDMI (type A)

1 x RJ45

1 x 3.5mm MiniJack (for IR pass-through)

1 x Phoenix (for Power)

POWER SUPPLY: 100-240v 50/60Hz AC 5 volt / 2 amp

Transformer integrated into plug. Includes interchangeable plugs:

UK/EU/US/AU. DC tail length: 1.8m. Transformer dimensions: 66

x 43 x 32mm / 2.6" x 1.7" x 1.26"

ACCESSORIES INCLUDED

Transmitter:

2 x Mounting ears

1 x IR Blaster with 1m (3.3 ft) Cable

Receiver:

2 x Mounting ears

1x IR Receiver with 1m (3.3 ft) Cable

WARRANTY: Lifetime return-to-base

COMPLIANCES: RoHS, WEEE, CE/EMC, C-TICK, FCC

ORDER PART CODE:

Tx: TC-HDMIIPTX [SAP: 4234190]

Rx: TC-HDMIIPRX [SAP: 4235162]

SPARE POWER SUPPLY UNIT (PSU):

TC2 P5V2A [SAP:2940994]

TC-HDMIW30

Wireless HDMI & mDP

- Transmits HDMI wirelessly up to 30 metres (98 ft)
- Transmitter plugs into laptop mDP or HDMI ports
- Up 1920 x 1280 pixels (HD)



Details

Stream the content from your laptop screen straight to a flat-panel or projector with ease. Just plug the transmitter dongle in to your laptop HDMI or Mini-DisplayPort; it will automatically transmit to the receiver positioned at the display. No software or drivers necessary.

Presentation Applications

While this product can be used with any HDMI device such as Blu-Ray it is optimised for teaching and meeting room environments. Its practical ease of use will eliminate technical problems and let presenters get on with presenting.

30 Metre Range

An internal antenna in the transmitter gives a range of up to 30 metres for HD content – or up to 50 metres in an open space. Too close or too far away and the image will degrade. It uses the same frequencies as wifi so it will work through dry-walls but performance drops off with distance and physical obstacles, so we recommend using in the same room.

No Cable Clutter

Switching to wireless allows you to eliminate the ugly tangle of cables. Keep your decor clean and uncluttered.

5GHz

It operates in the 5GHz frequency band and uses Dynamic Frequency Selection (DFS) to select a clear channel for transmission. The signal is made secure with 128 bit AES encryption.

Tail Design

The two input cables are short “tails” to keep the transmitter dongle from blocking other ports on your PC.

HDMI

It is HDMI 1.3 with HDCP 1.2 compliance. Features not supported are ARC (Audio Return Channel), and Ethernet.

Low Latency

The TC-HDMIW30 has a latency of less than 200 millisecond – 1/5 of a second. HD Video is smooth and glitch-free.

IR Passthrough

Includes IR blaster and receiver cables to allow control of the source device from the remote display. Supports 20-60KHz frequencies.

Backup Power

The transmitter requires 500-1000 mA to function. HDMI ports are required to output 55mA but most laptops output a lot more so in most cases it will work. If it doesn't use the included USB cable to get additional power from a USB port.

Other Display Ports

If your computer has Mini-HDMI, DisplayPort, or VGA Vision has all the adaptors you need to make it work.



Specifications

TRANSMITTER DIMENSIONS: 87 x 40 x 17 mm / 3.4" x 1.6" x .67" (length x width x height)
RECEIVER DIMENSIONS: 97 x 79 x 21 mm / 3.8" x 3.1" x 0.8" (length x width x height)
PACKAGED DIMENSIONS: 200 x 150 x 80 mm / 7.9" x 5.9" x 3.1" (length x width x height)
PRODUCT WEIGHT:
Tx: 300 g / 0.06 lbs
Rx: 220 g / 0.49 lbs
PACKAGED WEIGHT: 650 g / 1.43 lbs
CONSTRUCTION MATERIAL: Tx Plastic / Rx Metal
COLOUR: White
TECHNICAL DETAILS:
Maximum Video Format Supported: 1920x1080 / 1080P @ 60Hz
Video: HDMI 1.3 with HDCP 1.2
Max transfer rate: 10.2 Gbps
TMDS Signal: 0.7~1.5Vp p
DDC Signal: 5Vp p
Audio: Stereo
IR Passthrough: 20-60KHz
Max Input and Output cable length: up to 5m (16.4 feet)
Electrostatic Protection: Contact and air discharge level 3 IEC 61000-4-2
Operating Temperature Range: 0-40°C
Operating Humidity Range: < 80 % RH (no condensation)
MTBF (Mean Time Between Failures): > 30,000 hours
Transmitter Power Consumption: 3 watts
Receiver Power Consumption: 5 watts
Latency: < 20 ms
Maximum distance: 30 m (98 feet)
Encryption: 128 bit AES
TRANSMITTER CONNECTIVITY:
1 x HDMI socket – gold-plated input
1 x DC power – Mini USB-B for supplementary power if required
1 x 3.5mm Minijack socket – for IR blaster
RECEIVER CONNECTIVITY:
1 x HDMI (type A) output
1 x DC Power – phoenix connector
1 x 3.5mm Minijack socket – for IR receiver
POWER SUPPLY: 100-240v AC 50/60Hz 5 volt / 2 amp 10 watt.
USB-A socket. DC tail length: 1.8 m / 5.9 ft
Transformer integrated into plug. Includes interchangeable plugs: UK/EU/US/AU. Transformer dimensions: 66 x 43 x 32 mm / 2.6" x 1.7" x 1.3"
ACCESSORIES INCLUDED:
Power for Tx:
1 x USB-A to mini-USB-B cable, white, length: 450 mm / 18"
1 x USB-A to mini-USB-B cable, white, length: 130 mm / 18"
Source Connectivity:
1 x HDMI cable, white, length: 130 mm / 5.1"
1 x Mini DP to HDMI cable, white, length: 200 mm / 7.9"
IR Connectivity:
1 x IR Blaster cable, black, length: 1 m / 3.3 ft
1 x IR Receiver cable, black, length: 1 m / 3.3 ft
WARRANTY: Lifetime return-to-base
2 years onsite (UK only)
COMPLIANCES: RoHS, WEEE, CE/Tx, CE/Rx, CAC/Tx, CAC/Rx, FCC/Tx, FCC/Rx, RCM-POC, RCM-SDOC
ORDER PART CODE: TC-HDMIW30 [SAP: 4360679]

TC3 FACEPLATE SYSTEM

Techconnect is a modular audio-visual faceplate family engineered especially for AV installers. A “surround” which comes in two parts fits to a backbox (or “mudring” if your wall is hollow), then the modules fix in place to complete the installation. Techconnect is based around standard UK backbox sizes, but Vision also offers mounting hardware for other countries.



Details

Improved Fit and Finish

In Techconnect3 every element of Techconnect has been reconsidered and improved. From more space behind the modules stash cables, to narrower and more even gaps between modules.

Modern Matt White

Pure white with a chiselled profile, Techconnect3 also has 11 mm of flat space above and below the connectors for information or company branding stickers.

Stronger

Techconnect3 has shorter modules and extra ribbing to reduce module flex. On parts where flex is desirable to avoid shattering ABS plastic is used.

Screw-In Modules

The modules have a tab that hooks into the surround at the bottom, then a couple of turns of the pre-installed screw lock the module into place.

Packages

All modules, mounting hardware, and cables are sold individually or in simple packages which can be used as a starting point. Let the Techconnect Configurator help you select the parts you need and send you a shopping list.



Techconnect Modules

Passive Modules

The system offers a very wide range of passive pass-through modules for AV, IT, and pro-audio applications.

Amp and Control Modules

Install a powerful audio amplifier or a universal controller right next to the connectivity modules. The faceplate is close at hand and securely fastened in place.

Active Modules

The system includes active modules which boost USB or extend HDMI, VGA, and USB signals over CAT6 cable.



Techconnect Cables

Vision offer professional pre-prepared cables for use with the Techconnect system. All Vision products including cables carry a 3-year warranty.

Quality

A major cost component of cables is copper. Techconnect cable balances cost and quality providing conductors which carry sufficient current to support high resolution signals, and the shielding is evenly wound to avoid jitter and flagging. Ferrite Cores on VGA, USB, and HDMI cables eliminate RF induction noise.

Plug-In

VGA, Phono (RCA), and Minijack Techconnect cables have phoenix connectors on one end which plugs right in to the rear of the modules. These phoenix connectors can easily be removed to pull cables.

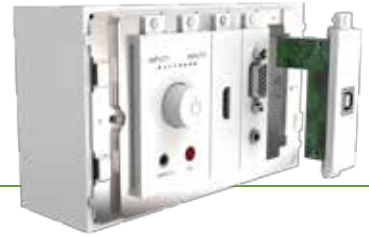
EDID Support

Vision's VGA cable included the SDA and SCL data lines to support EDID handshakes which allows the display device to communicate its supported display modes.

No Soldering

Faceplates that require soldering take time to build onsite, and - even for experts - create a possible point of failure in the system. Techconnect de-risks an installation.

TC3 WALL-MOUNT Faceplate Package



Techconnect3

For 99% of professional AV installations the same set of modules are required, so Vision offer a simple package that contains a basic selection of modules as a starting point. Just select the length of the cable package you need to go with it from: 3m (9 ft), 5m (16 ft), 10m (33 ft), 15m (49).

Techconnect is a modular audio-visual faceplate family engineered especially for AV installers. A "surround" which comes in two parts fits to a backbox (or "mudring" if your wall is hollow), then the modules fix in place to complete the installation. Techconnect is based around standard UK backbox sizes, and Vision also offers mounting hardware for other countries.

Improved Fit and Finish

Techconnect3 has more space behind the modules stash cables, and narrower and more even gaps between modules.

Matt White

Pure white with a chiselled profile, Techconnect3 also has 11 mm of flat space above and below the connectors for information or company branding stickers.

Stronger

Techconnect3 has shorter modules and extra ribbing to reduce module flex. On parts where flex is desirable to avoid shattering ABS plastic is used.

Screw-In Modules

The modules have a tab that hooks into the surround at the bottom, then a couple of turns of the pre-installed screws locks the modules into place

Plug-In Cables

Vision offer professional cables. VGA, Phono (RCA), and Minijack Techconnect cables have phoenix connectors on one end which plugs right in to the rear of the modules. These phoenix connectors can easily be removed to pull cables.

Passive and Active Modules

Vision offer pass-through modules for AV, IT, and pro-audio applications, and active modules which boost USB or extend HDMI, VGA, and USB signals over CAT6 cable. You can even install a powerful audio amplifier module or a universal controller module right next to the connectivity modules. The faceplate is close at hand and securely fastened in place.

EDID Support

Vision's VGA cable included the SDA and SCL data lines to support EDID handshakes which allows the display device to communicate its supported display modes.

No Soldering

Faceplates that require soldering take time build onsite, and – even for experts – create a possible point of failure in the system. Techconnect de-risks an installation.

Lifetime Warranty

You can't afford issues, and neither can we. Vision is totally focussed on offering reliable products.

Module Package Contents

1 x 2-Gang UK Backbox (surface mount) 146 x 86 x 45mm / 5.7" x 3.4" x 1.8" TC3 BACKBOX2G [SAP:3446598]
1 x 2-Gang Surround (includes metal clip and plastic cover, accommodates 5 modules) 146 x 86 x 8mm / 5.7" x 3.4" x 0.3" TC3 SURR2G [SAP:3446603]
1 x VGA with Minijack TC3 VGAF3.5MM [SAP:3446585]
1 x USB (B-type on front) TC3 USBB [SAP:3446581]
1 x HDMI TC3 HDMI [SAP:3446573]
3 x Blanks TC3 BLANK [SAP:3446572]

PACKAGE DETAILS:

CARTON DIMENSIONS: 160 x 950 x 60 mm (6.3" x 37.4" x 2.4")

PACKAGED WEIGHT: 0.3 kg / 0.66 lb

MODULE COMPLIANCES: RoHS, WEEE & CE

ORDER PART CODE: TC3-PK [SAP: 3446594]

[Manual](#)



Cable Package Contents

1 x VGA

White, Ferrite core to stop RF interference. A moulded connector on one end, and a male phoenix connector on the other end which can be plugged directly into the rear of module. Gold-plated male to male HD15 (15 pin) connector. Sheath PVC, outer diameter: 8.0 mm, Conductor thickness: 28AWG, Drain wire laid between aluminum mylar and braid, Al-Mg alloy wire overall, >65% coverage braided shield. Impedance: at 10MHz, 75Ω (coaxial cable), Resistance 20°C(Ω/1000m) 237.25.

TC2 3MVGA [SAP:3000667]

TC2 5MVGA [SAP:2042118]

TC2 10MVGA [SAP:1461166]

TC2 15MVGA [SAP:1461168]

1 x 3.5mm Minijack

High-grade white installation cable. A moulded connector on one end, and a male phoenix connector on the other end which can be plugged directly into the rear of a Techconnect faceplate module.

TC2 3M3.5MM [SAP:3000665]

TC2 5M3.5MM [SAP:2042096]

TC2 10M3.5MM [SAP:1461164]

TC2 15M3.5MM [SAP:1474524]

1 x HDMI

White, 4K compliant, High-Speed (Category 2) with Ethernet, HDMI 1.4, Gold-plated HDMI-A connectors, Sheath: outer diameter: 9.5mm, Conductor thickness: ≤ 5 m 28 AWG (American Wire Gauge) / 10 m 26 AWG / 15 m 24 AWG. Sheath outer diameter: ≤ 5 m 7.3 mm (≤16.4 ft 0.29") / 10 m 8.0 mm (32.81 ft 0.31") / 15 m 9.5 mm (49.21 ft 0.37").

TC2 3MHDMI [SAP:3000666]

TC2 5MHDMI [SAP:2746863]

TC2 10MHDMI [SAP:2746864]

TC2 15MHDMI [SAP:2746865]

CARTON DIMENSIONS:

3/5m Cable Package: 200 x 200 x 90mm (7.87" x 7.87" x 3.54")

10m Cable Package: 220 x 220 x 120mm (8.66" x 8.66" x 4.72")

15m Cable Package: 250 x 250 x 140mm (9.8" x 9.8" x 5.51")

PACKAGED WEIGHT:

3m Cable Package: 1.0kg / 2.2 lb

5m Cable Package: 1.35kg / 2.97 lb

10m Cable Package: 2.2kg / 4.85 lb

15m Cable Package: 3.73kg / 8.22 lb

CABLES COMPLIANCES: RoHS, WEEE, CE/EMC, FCC

ORDER PART CODE:

TC3-PK3MCABLES [SAP:3245686]

TC3-PK5MCABLES [SAP:3245687]

TC3-PK10MCABLES [SAP:3246135]

TC3-PK15MCABLES [SAP:3246136]

Module Package Bundled With Cable Packages

ORDER PART CODE:

TC3-PK+PK3MCABLES [SAP:3693003]

TC3-PK+PK5MCABLES [SAP:3693004]

TC3-PK+PK10MCABLES [SAP:3693005]

TC3-PK+PK15MCABLES [SAP:3693006]

TC3 SURFACE HUB

Faceplate Package

• Microsoft Surface Hub Packages



Details

Microsoft's Surface Hub has an internal computer but it can also act as a display for an external PC. The connectivity panel is hard to reach, so Vision's Techconnect is the perfect solution for meeting room installations! Position the connectivity close at hand for easy access. These packages contain a selection of modules and cables for the most commonly used connectivity. Choose from 3, 5, or 10 metre cables (10, 16, 30 ft).

Techconnect3

Techconnect is a modular audio-visual faceplate family engineered especially for AV installers.

A "surround" which comes in two parts fits to a backbox (or "mudring" if your wall is hollow), then the modules fix in place to complete the installation. Techconnect is based around standard UK backbox sizes, and Vision also offers mounting hardware for other countries.

Screw-In Modules

The modules have a tab that hooks into the surround at the bottom, then a couple of turns of the pre-installed screw lock the module into place.



Passive and Active Modules

Vision offer pass-through modules for AV, IT, and pro-audio applications, plus active modules which boost USB or extend HDMI, VGA, and USB signals over CAT6 cable. You can even install a powerful audio amplifier module or a universal controller module right next to the connectivity modules. The faceplate is close at hand and securely fastened in place.

Plug-In Cables

Vision offer professional cables. VGA, Phono (RCA), and Minijack Techconnect cables have phoenix connectors on one end which plugs right in to the rear of the modules. These phoenix connectors can easily be removed to pull cables.

No Soldering

Faceplates that require soldering take time to build onsite, and – even for experts – create a possible point of failure in the system. Techconnect de-risks an installation.

Lifetime return-to-base 2 years onsite (UK only)

You can't afford issues, and neither can we. Vision is totally focussed on offering reliable products.

Package Contents

MOUNTING HARDWARE INCLUDED:

- 1 x 2-Gang UK Mudring (flush mount)
146 x 86 x 45mm / 5.7" x 3.4" x 1.8"
TC2 MUDRING2G [SAP:1643908]
- 1 x 2-Gang "Tilt" Surround
Includes surround and quality metal cover with closing lid. Can fix to a wall-mounted backbox (or Mudring if your wall is hollow), or can fix to a table (metal clip fixes directly to table surface from above). Accommodates 5 modules.
146 x 86 x 8mm / 5.7" x 3.4" x 0.3" TC3-TILT [SAP:3446604]

[CAD](#)

MODULES INCLUDED:

- 1 x VGA with Minijack TC3 VGAF3.5MM [SAP:3446585]
- 1 x USB (B-type on front) TC3 USBB [SAP:3446581]
- 1 x HDMI TC3 HDMI [SAP:3446573]
- 2x Blank TC3 BLANK [SAP:3446572]

CABLES INCLUDED: 1 x VGA

White, Ferrite core to stop RF interference. A moulded connector on one end, and a male phoenix connector on the other end which can be plugged directly into the rear of module. Gold-plated male to male HD15 (15 pin) connector. Sheath PVC, outer diameter: 8.0 mm, Conductor thickness: 28AWG, Drain wire laid between aluminum mylar and braid, Al-Mg alloy wire overall, >65% coverage braided shield. Impedance: at 10MHz, 75Ω (coaxial cable), Resistance 20°C(Ω/1000m) 237.25.

TC2 3MVGGA [SAP:3000667]

TC2 5MVGGA [SAP:2042118]

TC2 10MVGGA [SAP:1461166]

TC2 15MVGGA [SAP:1461168]

1 x 3.5mm Minijack

High-grade white installation cable. A moulded connector on one end, and a male phoenix connector on the other end which can be plugged directly into the rear of a Techconnect faceplate module.

TC2 3M3.5MM [SAP:3000665]

TC2 5M3.5MM [SAP:2042096]

TC2 10M3.5MM [SAP:1461164]

TC2 15M3.5MM [SAP:1474524]

1 x HDMI

White, 4K compliant, High-Speed (Category 2) with Ethernet, HDMI 1.4, Gold-plated HDMI-A connectors. Sheath: outer diameter: 9.5mm, Conductor thickness: ≤ 5 m 28 AWG (American Wire Gauge) / 10 m 26 AWG / 15 m 24 AWG. Sheath outer diameter: ≤ 5 m 7.3 mm (≤16.4 ft 0.29") / 10 m 8.0 mm (32.81 ft 0.31") / 15 m 9.5 mm (49.21 ft 0.37").

TC2 3MHDMI [SAP:3000666]

TC2 5MHDMI [SAP:2746863]

TC2 10MHDMI [SAP:2746864]

TC2 15MHDMI [SAP:2746865]

1 x USB

White, High speed USB cable, Ferrite cores on both ends to stop RF interference. Gold-plated USB-A to USB-B connectors, Insulation: HDPE, Sheath: PVC, outer diameter: 4.8mm, Conductor thickness: 28+24AWG, Bandwidth: 480Mbit/s, more than 65% coverage braided shield. In-line active booster (48mm long x 25mm wide) integrated half way along cable.

TC 3MUSB [SAP:3004700]

TC 5MUSB [SAP:3004951]

TC2 10MUSB+ [SAP:3244188]

TC2 15MUSB+ [SAP:3004953]

PACKAGE DETAILS:

MODULE COMPLIANCES: RoHS, WEEE & CE

CABLES COMPLIANCES: RoHS, WEEE, CE/EMC, FCC

ORDER PART CODE:

TC3-3MHUBPACK [SAP: 3938511]

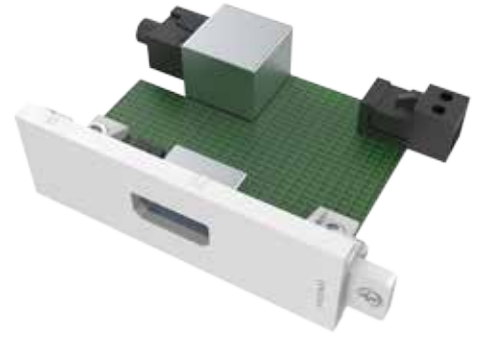
TC3-5MHUBPACK [SAP: 3912500]

TC3-10MHUBPACK [SAP: 3693007]

[Manual](#)

TC3 HDMITP

HDMI-over-CAT6 Module



- Transmits HDMI signal over CAT (twisted pair) up to 50m (164 ft)
- Supports 1080P (1920 x 1080) and 3D (60Hz)
- Power adaptors required at both ends

Details

Vision's "Techconnect Twist" products allow a variety of signals to be transmitted long distances over standard unshielded CAT5e and CAT6 cable.

The transmitter from this set simply fits into the Techconnect faceplate on the wall. The 'HDMITP' makes use of inexpensive and flexible UTP (unshielded twisted pair) cable to route HDMI signal from a computer to a distant display.

Faster Installation

Installers can take advantage in buildings which have been flood-wired with network cable. Where a CAT6 cable is already in place the installation is super-fast.

Techconnect Module

The transmitter presents as an ordinary Techconnect HDMI module from the front, allowing seamless installation. The circuit on rear of the module is packed with technology.

HD Resolution

TC2 HDMITP Rx inputThe HDMITP supports resolutions up to 1080P (1920 x 1080) at 60 frames per second. It also supports 3D at 60Hz.

Cable Length

With a 1920 x 1080 resolution signal the CAT5e cable can be up to 30m (98.4 ft) long. CAT6 cable takes this maximum recommended length up to 50m (164 ft). With common 1280 x 800 resolution the cables can be longer because of the reduced bandwidth required: 50m (164 ft) on CAT5e cable, and 60m (196.9 ft) on CAT6 cable.

Dual Power

Two power supplies are included - one for the transmitter, and one for the receiver. The complex HDMI signal uses all four pairs of wires inside the CAT cables so it is not possible to also carry power over the cable.

HDCP Support

Version 1.2 of HDCP (High-bandwidth Digital Content Protection) is supported. HDCP authentication is the technology developed by Intel that prevents copying of digital content as it passes through cables.

EDID

Full EDID handshake is supported, which allows the source device to output the native display resolution. A reset button on the transmitter can be pressed to capture information from the display if the display is changed.

Easier to work with

Compared to long HDMI cables ethernet cable is easier to work with; it has a tighter bend-radius, is thinner, easier to pull, and simple to terminate.

Manual

Specifications

TRANSMITTER DIMENSIONS:

71 x 21 x 48 mm / 2.8" x 0.8" x 1.9" (length x width x height)

RECEIVER DIMENSIONS: 82 x 44 x 24 mm / 3.2" x 1.7" x 0.9" (length x width x height)

PACKAGED DIMENSIONS: 165 x 145 x 95 mm / 6.5" x 5.7" x 3.7"

PRODUCT WEIGHT: 123g / 0.27 lb per set

PACKAGED WEIGHT: 0.7 kg / 1.54 lb per set

RECOMMENDED MAXIMUM CABLE LENGTH:

CAT5e: 1280 x 1024: 50m / 1600 x 1200: 40m / 1920 x 1080: 30m

CAT6: 1280 x 1024: 60m / 1600 x 1200: 55m / 1920 x 1080: 50m

CONSTRUCTION MATERIAL: Plastic/ Metal

COLOUR: White

TECHNICAL DETAILS:

Video Amplifier Bandwidth: 6.75Gbps (2.25Gbps/TDMS Channel)

Input Video Signal: 0.5-1.5 volts p-p

Input DDC Signal: 5 volts p-p (TTL)

Maximum Video Format Supported: 1920x1200 / 1080P

Output Video: HDMI 1.3, 3D @ 60Hz

Operating Temperature Range: -15 to +55°C

Operating Humidity Range: 5 to 90 % RH (no condensation)

Maximum operation current: 800mA

POWER SUPPLY: 100-240v 50/60Hz AC 5 volt / 2 amp

Transformer integrated into plug. Includes interchangeable plugs: UK/EU/US/AU. DC tail length: 4m / 13.1 ft. Transformer dimensions: 66 x 43 x 32mm / 2.6" x 1.7" x 1.3"

WARRANTY: Lifetime return-to-base

2 years onsite (UK only)

COMPLIANCES: RoHS, WEEE, CE/ EMC, and FCC compliant.

ORDER PART CODE: TC3 HDMITP [SAP:3446574]

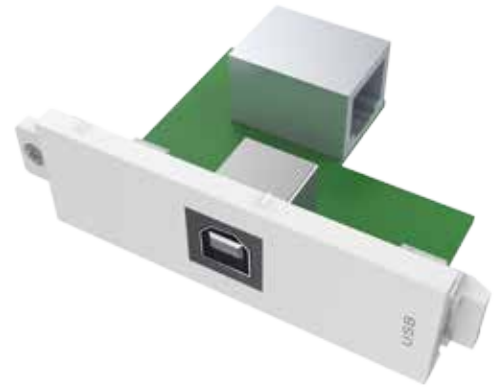
SPARE POWER SUPPLY UNIT (PSU):

TC2 P5V2A [SAP:2940996]



TC3 USBTP

USB-over-CAT6 Module



- Passes USB 2.0 signal over 150m (492 ft) CAT6 cable
- Comes with transmitter and receiver
- Transmitter fits into Techconnect faceplate

Details

The Techconnect USBTP is a USB extender which converts USB to run over a "twisted pair" network cable, allowing flexible placement of the AV faceplate with respect to the interactive flat panel. No drivers are required.

150 metres

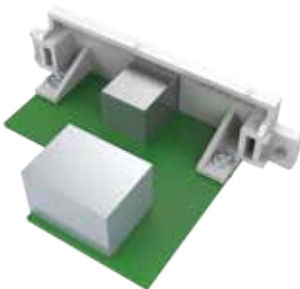
Converting the signal to run over a twisted-pair cable - also known commonly as "CAT5" or "Ethernet" - allows the signal to travel up to 100m on CAT5e, or 150m on CAT6. The USB input cable can be up to 5m long, and the output cable can be as long as 10m. Vision recommends high quality Techconnect USB cables.

Modular

As part of the Techconnect family of products it comes with a transmitter in the form of a modified USB-B module. Fix it into place on any Techconnect faceplate.

Powered

A power supply is included which connects to the receiver. For shorter cables this external power may not be necessary, but many interactive display devices only work reliably if they receive full power USB.



Status LED

A new feature on this updated version are two LED lights which help installers troubleshoot issues. One light confirms connection with the other end, and the other shows data transfer.

Webcam-Ready

As well as interactive whiteboard and flat-panel applications, the Techconnect USBTP can be used for any other USB devices which work on USB 2.0 such as printers and webcams.

Plug and Play

All parts are included in one box. Just install the transmitter module into the faceplate, and mount the receiver at the remote USB device.

Short Range Alternatives

Vision offers USB cables from 1m to 15m long. The longer 10 and 15 metre models have an inline booster half way along the cable. To help extend USB range Vision has an active USB booster module [TC3 USBB+ SAP:3446582] which should be used with the 10 and 15 metre cables. The input cable from the laptop to this module can be up to 10 metres long.

[Manual](#)



Specifications

RECEIVER DIMENSIONS:

92 x 55 x 23.5 mm / 3.62" x 2.17" x 0.93"
(length x width x height)

PACKAGED DIMENSIONS:

90 x 60 x 62mm / 3.54" x 3.62" x 2.44"

PRODUCT WEIGHT: 0.2kg per set / 0.44 lb

PACKAGED WEIGHT: 0.3kg per set / 0.66 lb

USB SPECIFICATION: 2.0

TRANSMISSION DISTANCE:

CAT6: 150m (492 ft)
CAT5e: 100m (328 ft)

BANDWIDTH: 200 Mb/s

CONSTRUCTION MATERIAL: Plastic/Metal

COLOUR: White

POWER SUPPLY: 100-240v 50/60Hz AC 5 volt / 2 amp
Transformer integrated into plug. Includes interchangeable plugs:
UK/EU/US/AU. DC tail length: 4m. Transformer dimensions: 66 x 43 x 32mm / 2.6" x 1.7" x 1.26"

ACCESSORIES INCLUDED: N/A

WARRANTY: Lifetime return-to-base
2 years onsite (UK only)

COMPLIANCES: RoHS, WEEE, CE/EMC, C-TICK, FCC.

ORDER PART CODE: TC3 USBTP [SAP:3446583]

SPARE POWER SUPPLY UNIT (PSU):
TC2 P5V2A [SAP:2940996]

Lower cost USB 1.1 version also available

TC3 VGATP

VGA-over-CAT6 Module

- Carries VGA signal over CAT (twisted pair) cable up to 80m (262 ft)
- Audio loops through transmitter (not carried over CAT cable)
- Single power adaptor, can be used at either end



Details

Vision's "Techconnect Twist" products allow a variety of signals to be transmitted long distances over standard unshielded CAT5e and CAT6 cable. Including an active transmitter and receiver the 'VGATP' uses inexpensive flexible network cable to route 'VGA' signal from a computer to a distant display.

Techconnect Module

The transmitter presents as a normal Vision Techconnect VGA and minijack module from the front, allowing seamless installation in the Techconnect faceplate.

Up to 80m

VGA signal is weak which limits cable length. The VGATP overcomes this and can send 1024 x 768 resolution signal through standard unshielded CAT6 cable up to 80m (262 ft) long. Using CAT5e cable extended the maximum length to 60m (197 ft).

PoE

Proprietary power-over-ethernet technology means only one mains power adaptor is required to power both the transmitter and receiver. The included international power adaptor can use used at either end.

Faster Installation

Installers can take advantage in buildings which have been flood-wired with network cable. Where a CAT5 cable is already in place the installation is super-fast.

Future-Proof

Replacing VGA cable with a twisted pair cable means if in the future you need to replace the VGA with HDMI or DisplayPort you can just change the adaptors at the ends.

EQ

An equalisation adjustment pot on the receiver allows for varying cable length.

Easier to work with

Compared to VGA cable CAT6 is much less expensive and is easier to work with; it has a tighter bend-radius, is thinner, easier to pull, and simple to terminate.

Note: This product does not support the SCL and SDA lines which carry 'Display Data Channel' (DDC) or the related 'Extended Display Identification Data' (EDID) data.

[Manual](#)



Specifications

TRANSMITTER DIMENSIONS:

71 x 21 x 43 mm / 2.8" x 0.83" x 1.69" (length x width x height)

RECEIVER DIMENSIONS:

74 x 33 x 21 mm / 2.91" x 1.3" x 0.83" (length x width x height)

PACKAGED DIMENSIONS:

185 x 120 x 55 mm / 7.28" x 4.72" x 2.17"

PRODUCT WEIGHT: 0.2 kg / 0.44 lb per set

PACKAGED WEIGHT: 0.3 kg / 0.66 lb per set

RECOMMENDED MAXIMUM CABLE LENGTH:

CAT5e: 1024 x 768: 60m / 1280 x 1024: 50m / 1600 x 1200: 40m

CAT6: 1024 x 768: 80m / 1280 x 1024: 70m / 1600 x 1200: 60m

CONSTRUCTION MATERIAL: Plastic

COLOUR: White

POWER SUPPLY: 100-240v AC 50/60Hz 12 volt / 0.5 amp

Transformer integrated into plug. Includes interchangeable plugs: UK/EU/US/AU.

DC tail length: 4m.

Transformer dimensions: 66 x 43 x 30mm / 2.6" x 1.69" x 1.18"

WARRANTY: Lifetime return-to-base

2 years onsite (UK only)

COMPLIANCES: RoHS, WEEE, EMC/CE, and FCC compliant

ORDER PART CODE: TC3 VGATP [SAP:3446587]

SPARE POWER SUPPLY UNIT (PSU):

TC2 P12V0.5A [SAP:2940992]

TC3 CABLES

These packages contain a Minijack, VGA, HDMI cable:

TC3-PK3MCABLES [SAP:3245686] 3m

TC3-PK10MCABLES [SAP:3246135] 10m

TC3-PK5MCABLES [SAP:3245687] 5m

TC3-PK15MCABLES [SAP:3246136] 15m

Individual Cables

1-phono

TC2 3M1PHO [SAP:3000663] 3m

TC2 5M1PHO [SAP:2042094] 5m

TC2 10M1PHO [SAP:1461162] 10m

TC2 15M1PHO [SAP:1472522] 15m



2-phono

TC2 3M2PHO [SAP:3000664] 3m

TC2 5M2PHO [SAP:2042095] 5m

TC2 10M2PHO [SAP:1461163] 10m

TC2 15M2PHO [SAP:1472523] 15m

TC2 20M2PHO [SAP:1461171] 20m



3.5mm minijack

TC2 3M3.5MM [SAP:3000665] 3m

TC2 5M3.5MM [SAP:2042096] 5m

TC2 10M3.5MM [SAP:1461164] 10m

TC2 15M3.5MM [SAP:1474524] 15m

TC2 20M3.5MM [SAP:1461172] 20m



VGA

White, Ferrite core to stop RF interference.

A moulded connector on one end, and a male phoenix connector on the other end

which can be plugged directly into the rear of a Techconnect faceplate module.

Gold-plated male to male HD15 (15 pin)

connector. Sheath PVC, outer diameter:

8.0 mm, Conductor thickness: 28AWG,

Drain wire laid between aluminum mylar and braid, Al-Mg alloy wire overall, more than

65% coverage braided shield. Impedance:

at 10MHz, 75Ω (coaxial cable), Resistance

20°(Ω/1000m) 237.25.

TC2 3MVGA [SAP:3000667] 3m

TC2 5MVGA [SAP:2042118] 5m

TC2 10MVGA [SAP:1461166] 10m

TC2 15MVGA [SAP:1461168] 15m

TC2 20MVGA [SAP:1461174] 20m



USB

Quality A to B USB 2.0 cables. Compact

gold-plated connectors. 4.8mm (0.19")

outer diameter. 28 AWG conductors. White.

High quality braided shield and ferrite core

at connector A (computer) end to shield

against EMF and RF interference.

TC2 1MUSB [SAP:3265177] 1m

TC2 2MUSB [SAP:3265178] 2m

TC2 3MUSB [SAP:3004700] 3m

TC2 5MUSB [SAP:3004951] 5m



TC2 10MUSB+ [SAP:3244188] 10m, Vision

recommends using with the TC2 USB+

active booster module. Cable has active

in-line booster (48mm / 1.9" long x 25mm /

0.98" wide) integrated half way along.

TC2 15MUSB+ [SAP:3004953] 15m, Vision

recommends using with the TC2 USB+

active booster module. Cable has active

in-line booster (48mm / 1.9" long x 25mm /

0.98" wide) integrated half way along.

COMPLIANCES: RoHS, WEEE, CE/EMC, FCC



TC3 CABLES

HDMI

High-Speed White HDMI Cable with Ethernet. Compact gold-plated connector. Tested to Category 2.

TC2 0.5MHDMI [SAP:3058973] 0.5m, 7.3mm (0.29") outer diameter. 28

AWG conductors.

TC2 1MHDMI [SAP:3058974] 1m, 7.3mm (0.29") outer diameter. 28 AWG conductors.

TC2 3MHDMI [SAP:3000666] 3m, 7.3mm (0.29") outer diameter. 28 AWG conductors.

TC2 5MHDMI [SAP:2746863] 5m, 7.3mm (0.29") outer diameter. 28 AWG conductors.

TC2 10MHDMI [SAP:2746864] 10m, 8mm (0.31") outer diameter. 26 AWG conductors.

TC2 15MHDMI [SAP:2746865] 15m, 9.5mm (0.37") outer diameter. 24 AWG conductors.



Long Fibre-Optic HDMI Cable

Long HDMI cable which is thin and flexible.

Uses Multi-mode optical fibre wrapped in synthetic Aramid fibres which are heat-resistant and strong synthetic fibres used for ballistic-rated body armour fabric.

HDMI-A (male) to HDMI-A (male)

Colour: Black

Maximum Resolution: 1080P 3D

(note: will not support 4K)

High-Speed (Category 2)

with Ethernet

HDMI 1.4

Gold-plated connectors

Active circuit in plug

(draws power from HDMI)

Not affected by EMF radiation

Halogen-free outer sheath

Sheath outer diameter: 2.9 x 5 mm

(0.11" x 0.20")

Packaged Weight:

30m: 0.6 kg (1.5 lb)

50m: 1.0 kg (2.3 lb)

Packaged Dimensions:

30m: 260 mm x 320 mm (10.2" x 12.6")

50m: 300 mm x 350 mm (11.8" x 13.8")

Retail packaging

Part Numbers:

TC 30MHDMI [SAP:4085649] 30 metres

(98 feet)

TC 50MHDMI [SAP:4085650] 50 metres

(164 feet)



TC3 CONNECTIVITY MODULES



TC3 3.5MM [SAP:3446210] 3.5mm (0.14") module



TC3 2RJ45 [SAP:3446209] Twin RJ45 module (Cat5e/Cat6)



TC3 USBB+ [SAP:3446582] USB-b module with active booster circuit. USB 2.0 Maximum input cable length: 10m. Note: Uses 5v from USB. For longer cables external power may be required.



TC3 3PHO [SAP:3446571] 3-Phono module



TC3 SERIALM [SAP:3446577] Serial Male module



TC3 VGAF [SAP:3446584] VGA female module



TC3 BLANK [SAP:3446572] Blank module



TC3 SPEAKER [SAP:3446578] Speaker module



TC3 VGAF3.5MM [SAP:3446585] VGA+3.5mm (0.14") module



TC3 HDMI [SAP:3446573]
HDMI module 1.4 AWG 28 - tail 200mm (7.87") long



TC3 SPEAKON [SAP:3446579] Speakon module



TC3 VGAF3.5MMD [SAP:3446586] VGA+3.5mm (0.14") D module



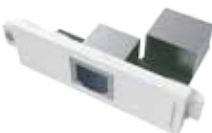
TC3 PWREU [SAP: 3446575] EU Power module



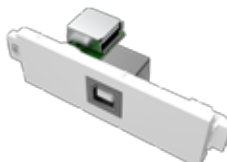
TC3 USBA [SAP:3446580] USB-a module



TC3 VGAFD [SAP:3498783] VGA female D module



TC3 RJ45 [SAP:34465765] RJ45 module (Cat5e)



TC3 USBB [SAP:3446581] USB-b module



TC3 XLR FEMALE JACK COMBO module
TC3 XLR FEMALE JACK COMBO module



TC3 USBPW [SAP: 3985223]
Active USB charging module. Auto current adjustment. Comes with 12 volt / 2 amp power supply. Power through so it can share a PSU with other 12v Vision products.

TC3 MOUNTING HARDWARE

Surface-Mount Backboxes

TC3 BACKBOX1G [SAP:3446597] White
1-Gang UK Backbox
86 x 86 x 45mm / 3.39" x 3.39" x 1.77"



TC3 BACKBOX2G [SAP:3446598] White
2-Gang UK Backbox
146 x 86 x 45mm / 5.75" x 3.39" x 1.77"



TC3 BACKBOX2GT [SAP:3446599]
Aluminium 2-Gang Table-Mounted Backbox
(surround not included)
150 x 106 x 73mm / 5.91" x 4.17" x 2.87"
(width x depth x height)



Flush-Mount Mudrings

TC2 MUDRING1G [SAP:2357413]
1-Gang Mudring [CAD](#)



TC2 MUDRING2G [SAP:1643908]
2-Gang Mudring [CAD](#)

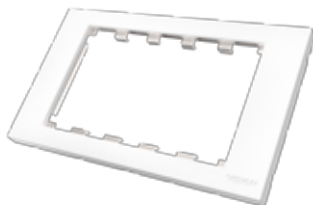


Surround

TC3 SURR1G [SAP:3446602] White
1-Gang UK Surround
86 x 86 x 8mm / 3.39" x 3.39" x 0.31"



TC3 SURR2G [SAP:3446603] White
2-Gang UK Surround
146 x 86 x 8mm / 5.75" x 3.39" x 0.31"



TC3-TILT [SAP:3446604]
2-Gang "Tilt" Surround
Includes metal surround and quality metal cover with closing lid. Can fix to a wall-mounted backbox (or Mudring if your wall is hollow), or can fix to a table (metal clip fixes directly to table surface from above). Accommodates 5 modules.
146 x 86 x 8mm / 5.7" x 3.4" x 0.3"
[CAD](#)



TC3-TILTTPU [SAP:3446605] 2-Gang "Tilt" Surround with cable "pull-up" box
Includes metal surround and quality metal cover with closing lid. Fixes to a table (metal clip fixes directly to table surface from above). Accommodates up to 6 cables. Includes weights to help retract cables. 146 x 86 x 8mm / 5.7" x 3.4" x 0.3"



TC3 SURRAU2M [SAP:3446589]
AU 2 Module Surround
114 x 74 x 8mm / 4.49" x 2.91" x 0.31"



TC3 SURRAU3M [SAP:3446590]
AU 3 Module Surround
114 x 74 x 8mm / 4.49" x 2.91" x 0.31"



TC3 SURRBE65 [SAP:3446591] BE frame which accommodates four modules. Fits to any standard 65mm/ 2.56" Le Grand trunking.
210 x 68 x 28mm / 8.27" x 2.68" x 1.10"



TC3-AMP

50W Digital Amplifier

- Extremely small 2 x 25 w (RMS) at 8 ohms Digital Amp
- 2 x Stereo inputs (Input 1 duplicated on front and rear)
- IR Remote control included



Details

By using latest low-impedance digital amplifier chip technology the new Techconnect Amp module outputs a massive 2 x 25 watts RMS (at 8 ohms) but fits into the space of a Techconnect module.

Front Panel Input

Two Inputs are wired into the rear with removable phoenix connectors, but Input 1 is also duplicated on the front panel with a minijack socket for convenience. This "half-normalled" input disconnects the rear terminal while in use.

D-Class Amplifier

Digital amplifiers use no power unless they are amplifying program, so even on at full volume; unless it is receiving input it is effectively off. Digital amplifiers also have the advantage of running cold so a bulky heatsink is not necessary

Power Four Speakers

Don't let size deceive you: the Techconnect Amp can drive into a 4 ohm load allowing you to power up to four 8 ohm speakers (or two 4 ohm speakers).

Secure

Ideal when you don't have furniture to sit an amplifier on, and because it is mounted to the wall it is much less obvious as a target for theft.

Tactile Dial

A simple clear control interface makes the product easy to use long press on the dial to power on and off. Short press to change input.

Remote Control

A remote control is included and IR receivers are positioned on the front and rear for integration with a control system such as the Techconnect Control. Note: there is no tone control with this amplifier. Vision's spare remote controls have tone buttons but they do not work with this product.

Preset Memory

By default when power is activated the Techconnect Amp turns on and resumes the most recent settings. For hospitality applications it can be set to return to a preset input and level whenever it is powered on - for example in hotel guest rooms.

Easy to Install and Uninstall

A robust module that is easy to install or remove and disconnect from the front. Removable phoenix connectors allow non-technical end users to uninstall it very easily if required.

Cables Included

Speaker cable is included plus short input cables are included for connection to the rear of adjacent input modules on the Techconnect.

Close at Hand

Can be positioned anywhere in the room making it perfect for training rooms, boardrooms, and classrooms. Integrated Techconnect Family Included is a single-gang backbox and surround, or alternatively you can mount it in a double-gang surround with other Techconnect modules.

[Manual](#)

Specifications

AMPLIFIER MODULE DIMENSIONS:

42 x 64 x 36mm / 1.65" x 2.8" x 1.57"

BACKBOX DIMENSIONS : 86 x 86 x 45mm / 3.39" x 3.39" x 1.77"

SURROUND DIMENSIONS : 86 x 86 x 8mm / 3.39" x 3.39" x 0.31"

CARTON DIMENSIONS : 240 x 205 x 63mm / 9.45" x 8.07" x 2.48"

AMPLIFIER WEIGHT : 63 grams / 0.14 lb

PACKAGED WEIGHT : 1.1kg / 2.4 lb

COLOUR : White

INPUTS : 2 x Stereo inputs via removable phoenix connectors

TECHNICAL DETAILS:

2 x 25w @ 8 ohms

Total Harmonic Distortion: less than or equal to 1% (20Hz-22kHz)

Frequency response (line in): 80Hz-22kHz(±2dB)

Signal to noise ratio (line in): more than or equal to 98dB (A-weighted)

Rating input level/impedance: Line in 500mV/50k Ω

Power consumption (rating condition): less than or equal to 50W

ACCESSORIES INCLUDED:

1 x Single-gang Backbox

1 x Single-gang Surround

2 x 150mm (5.9") input cables

2 x Unshielded Speaker cable 5m (16.4 ft) long

1 x Remote Control with batteries

POWER SUPPLY : 100-240v 50/60Hz AC External Power Supply - 15 volt / 4 amp.

Laptop-style transformer. Includes 4 x 0.5m (4 x 1.6 ft) figure-8 power cables: UK/EU/US/AU. DC tail length: 4m (13.1 ft).

Transformer dimensions: 108 x 50 x 33mm / 4.1" x 2" x 1.3"

WARRANTY : Lifetime return-to-base

2 years onsite (UK only)

COMPLIANCES : RoHS, WEEE, CE/EMC, RCM, FCC

ORDER PART CODE : TC3-AMP [SAP:3446595]

Bundled with wall loudspeakers: TC3-AMP+SP-1800

[SAP: 3692237]

Bundled with ceiling loudspeakers: TC3-AMP+CS-1600

[SAP: 3692239]

Bundled with ceiling loudspeakers: TC3-AMP+CS-1800

[SAP:3802220]

SPARE IR REMOTE CONTROL: TC3-AMP RC [SAP: 3940956]

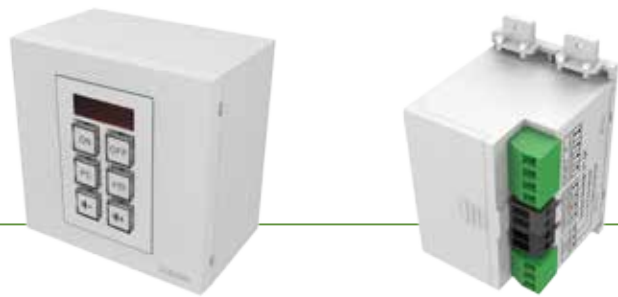
SPARE POWER SUPPLY UNIT (PSU): TC2 P15V4A

[SAP:3271428]



TC3-CTL

Universal Control



- Control projectors etc via IR, RS-232, RS-485, and 12V
- Schedule commands
- Powered by mains power or batteries remote at the receiver

Details

Techconnect Control is the most flexible professional AV control device available. This simple control panel controls all of your AV equipment - projectors, flat panels, amplifiers, and screens - simultaneously and only presents users with the functions they use every day. No tech support calls and no losing remote controls. All in a secure Techconnect module.

Simple Mode

Hold down the two middle buttons to put into learn mode, point the original device remote at the front of the Control, and program one code per button. "Off" is pre-set to send the code twice for projectors, and the bottom buttons send codes repeatedly when held down for volume.

Advanced Mode

Alternately, connect to a PC and use included software to allocate multiple RS-232, IR, and 12v triggers to each button. Commands for each button can be sent simultaneously, sequentially, or repeatedly if you hold the button down.

Labels

Clear caps unclip off the buttons from the front to allow label changes. A set of labels are included, and users can print their own as necessary.

Backlit buttons

Backlit buttons are easy to read. If any buttons are not used blank buttons are included which block the backlight.

Scheduling

Once programmed, a schedule can be setup. For example turn the digital signage in a store off at midnight every night.

Delay

Commands can be delayed up to 60 seconds. For example when you turn a projector on it takes time to warm up so the motorised screen doesn't come down until the projector is ready.

Duplication

Programs can be saved to a PC making duplication for a roll out simple.

Extension Keypad

If more than six buttons are required the software allows you to add another Control as an extension keypad which connects to the master via RS485. All commands are still held and sent by the master Control.

Code Library

An integrated library of IR and RS-232 codes speed programming up. For example if you learn the codes for a projector those codes will be automatically uploaded to the database so that the next installer who needs those codes will find them in the software library.

Alternative Code Learning

IR codes can be added by using the original remote, or by copying and pasting the hex code if you have lost the remote.

Battery

The Control comes with a mains power adaptor, but can also be powered by 2 x AAA batteries (not included). A switch under the batteries selects the power source. Note: when running on battery backlights do not stay lit and 12v triggers will not be sent.

IR

The IR receiver for learning codes is on the front panel, and is accompanied by an IR emitter which eliminates the need to run an IR cable in smaller rooms. Two external IR emitters are included; one with a 10m cable, and one with a 200mm cable.

RS-232 and 485

These two protocols use the same codes but RS-485 only requires two cables and can be run a longer distance. Note: a projector with an RS-232 port will not be able to decode RS-485 signal.

12v Trigger

Many projector screens can be controlled with a 12v trigger voltage. Note: Many projection screens with remote controls use RF which cannot be learned or sent by the Control.

Easy Wiring

To speed up installation it comes with a short 9-pin serial cable which plugs into the phoenix port on the Control.

[Manual](#)
[Software v020316](#)

Specifications

PRODUCT DIMENSIONS:

71 x 42 x 31mm / 2.8" x 1.65" x 1.22" (length x width x height)

BACKBOX DIMENSIONS: 86 x 86 x 45mm / 3.39" x 3.39" x 1.77"

SURROUND DIMENSIONS: 86 x 86 x 8mm / 3.39" x 3.39" x 0.31"

PACKAGED DIMENSIONS:

180 x 150 x 63 mm / 7.09" x 5.91" x 2.48"

PRODUCT WEIGHT: 63 grams / 0.14 lb

PACKAGED WEIGHT: 0.5kg / 1.1 lb

CONSTRUCTION MATERIAL: Plastic

COLOUR: White

POWER SUPPLY: 100-240v AC 50/60Hz 12 volt / 0.5 amp

Transformer integrated into plug. Includes interchangeable plugs:

UK/EU/US/AU. DC tail length: 4m. Transformer dimensions: 66 x 43 x 30mm / 2.6" x 1.69" x 1.18"

ACCESSORIES INCLUDED:

5 x Blanking buttons

1 x Labels

1 x Single-Gang Techconnect Backbox

1 x Single-Gang Techconnect Surround

1 x IR Blaster with 20m cable

1 x IR Blaster with 150mm (5.91") cable

terminated with female minijack)

1 x RS-232 9-pin D-Sub 150mm (5.91") adaptor cable

POWER CONSUMPTION:

Static: <= 5uA

Sending: <= 20mA

Copying: <= 10mA

WARRANTY: Lifetime return-to-base

2 years onsite (UK only)

COMPLIANCES: RoHS, WEEE, CE/EMC, C-TICK, FCC

ORDER PART CODE: TC3-CTL [SAP: 3446596]

SPARE POWER SUPPLY UNIT (PSU): TC2 P12V0.5A

[SAP:2940992]

TM-1200

Universal Projector Ceiling Mount

- Projector ceiling mount with 1.1m pole cut to length onsite (overall length 1420mm / 55.9")
- All parts included e.g drilling jig, cathedral ceiling mechanism, trim disc etc.
- Cables can be routed after assembly



Details

The Techmount is a universal projector ceiling bracket designed to secure 99% of data projectors safely and sturdily to ceilings. It has built-in flexibility allowing quick assembly in a number of different configurations, including "flush-mount" where the projector is as close to the ceiling as possible.

The fixed pole has greater rigidity than telescopic mounts and because it is cut to length onsite it has an infinitely variable length. The overall length when the tilting mechanism is in place is 1420mm. A 1m male-to-female extension pole is available which can be daisy-chained. Order Code: TM-1200 EXT1M [SAP: 1562436]

Sloping Ceilings?

A tilting mechanism is included which tilts to a full 90 degrees, allowing you to use the bracket as a boom if need be.

Safety Approved

In line with best-practice a safety fall-arrest tether is included which secures the projector to your bracket. Independent testing on calibrated test equipment measured a breaking-strain of half a ton! We recommend a maximum safe working load of 10kg which is well within the limits of the product and up to BSi installation standard specification (PAS122:2009).



Easy fit

Fitting the bracket to the projector is simple; most projectors have threaded inserts in the bottom for attachment. Not all use the same diameter screws we provide a selection to suit almost all projectors. Simply adjust the arms on our bracket over the attachment holes, and insert a screw into the projector.

Obstruction-free Cable Management

Rather than having a bolt that runs through the pipe and blocks cable access, we use our unique quad-bolt 'chute-through' system which leaves cable access clear - even for a big VGA connector.

TM-1200 drilling jig Tools Included

A spanner and pin-hex key are included. The only tool you'll need is a 2" pipe cutter (ask your tool supplier for a cutter with a 6-67mm (0.24" - 2.64") range, and a metal cutting disk). We've also included a drilling jig so you can easily and accurately drill 9mm (0.35") holes into the pole.

Secure

Quick-release mechanisms make life easier for thieves, so the TM-1200 is secure and features security bolts.

Finish the job properly!

Enhance aesthetics with the retrofittable trim disk which is fitted in false-ceiling environments to properly finish the installation.

[Manual](#)

[Quick Manual](#)

[TUV-GS Certificate](#)

Specifications

BOX DIMENSIONS:

1300 x 160 x 90mm / 51.18" x 6.3" x 3.54"

PACKAGED WEIGHT: 6kg / 13.23 lbs

SAFE WORKING LOAD: 10kg / 22.05 lbs

COLOUR: Satin White

ACCESSORIES INCLUDED:

1 x H50 Pin-Hex key
1 x 17mm (0.7") Spanner
4 x M3 43mm (1.7") screws
4 x M4 43mm (1.7") screws
4 x M5 43mm (1.7") screws
4 x M6 43mm (1.7") screws
4 x M2.5 43mm (1.7") pan slot for Optoma & Acer
4 x M8 50mm (2") Ceiling Fixtures with rawl plugs
1 x Drilling Jig
1 x Safety Tether
1 x Ceiling Trim Disc

WARRANTY: Lifetime return-to-base

2 years onsite (UK only)

COMPLIANCES: TUV-GS Certification

ORDER PART CODE: TM-1200 [SAP: 1562435]

Optional 1m Extension Pole: TM-1200 EXT1M [SAP:1562436]



TM-TELE

Telescopic Projector Ceiling Mount

- Universal projector ceiling mount with telescopic pole
- Overall length 440-735 mm (17.32" - 28.94")
- Full adjustment: tilt at top for sloping ceilings / pitch and roll at the bottom



Details

The TM-TELE Techmount is a projector ceiling bracket for anchoring any data projector safely to a ceiling. The telescopic design allows fast deployment and adjustment without the need cut and drill the pole. It has a greater range than most other telescopic mounts and the pole can be removed for "flush-mounting" the projector as close to the ceiling as possible. Note: unlike the TM-1200 the length of this bracket cannot be extended.

One-Man Installation

Thoughtful design detail include a length adjustment clamp system which requires only one hand.

Sloping Ceilings

A tilting mechanism is included which tilts to a full 90 degrees, allowing you to use the bracket as a boom if need be.

Safety Approved

A back-up fall-arrest tether is included which secures the projector to your bracket, and the pole has a mechanical stop so that the two parts of the pole cannot be separated. Vision recommends a maximum safe working load of 10kg which is well within the limits of the product and meets the BSi installation standard specification (PAS122:2009).

Easy fit

Projectors have threaded inserts in the bottom for attachment - but not all use the same diameter screws so Vision includes a selection to suit most projectors. Simply locate the "spider" arms on our bracket over the attachment holes, and insert a screw into the projector.

Obstruction-free Cable Management

Vision's unique 'chute-through' system leaves cable access clear - even for big VGA connectors.

Tools Included

A spanner and pin-hex key are included. Vision also includes a hex-key bit for a power drill to speed up installation.

Secure

Quick-release mechanisms make life easier for thieves, so the TM-TELE is secure and features security bolts.

[Manual](#)

[Quick Manual](#)

Specifications

BOX DIMENSIONS: 393 x 150 x 80 mm / 15.47" x 5.91" x 3.15"

PACKAGED WEIGHT: 3 kg / 6.61 lbs

SAFE WORKING LOAD: 10kg / 22.05 lbs

COLOUR: Satin White

ACCESSORIES INCLUDED:

1 x H50 Pin-Hex key

1 x 17mm (0.7") Spanner

4 x M3 43mm (1.7") screws

4 x M4 43mm (1.7") screws

4 x M5 43mm (1.7") screws

4 x M6 43mm (1.7") screws

4 x M2.5 43mm (1.7") pan slot

4 x M8 50mm (2.0") Ceiling Fixtures with rawl plugs

1 x Safety Tether

1 x Ceiling Trim Disc

WARRANTY: Lifetime return-to-base

2 years onsite (UK only)

COMPLIANCES: TUV-GS

ORDER PART CODE: TM-TELE [SAP: 2418655]



TM-CC

Close-Coupled Projector Ceiling Mount

- Universal projector ceiling mount for close-to-ceiling installation
- All parts included and arrives 95% assembled reducing time onsite
- 4 fully adjustable spider arms fit 99% of projectors



Details

The Techmount TM-CC is a universal projector ceiling bracket designed to secure 99% of data projectors safely and sturdily to ceilings. It is designed for applications where no 'drop' is required so no pole is included. It holds the projector 110mm away from the ceiling.

Robust Construction

High standard of finish and over-engineered for stability and safety. A rugged high-quality satin-white finish blends with ceiling tiles.

Manoeuvrable

The top and bottom parts can rotate 360 degrees, and the spider arms have a maximum span of 340mm (13.4").

Sloping Ceilings?

A tilting mechanism is built in allowing you to use the bracket with cathedral-type ceilings.

Safety Approved

As with all projector Techmounts a safety cable is included to attach to the projector. The TM-CC has a recommended maximum safe working load (SWL) of 10kg which is well within the limits of the product.

Easy fit

Fitting the bracket to the projector is simple; most projectors have threaded inserts in the bottom for attachment. Not all use the same diameter screws we provide a selection to suit almost all projectors. Simply adjust the arms on our bracket over the attachment holes, and insert a screw into the projector.

Tools Included

A spanner and pin-hex key are included.

Secure

Quick-release mechanisms make life easier for thieves so the TM-CC comes with secure pin-hex bolts.

[Manual](#)

[Quick Manual](#)

[TUV-GS Certificate](#)

Specifications

BOX DIMENSIONS:

244 x 174 x 120mm / 9.61" x 6.85" x 4.72"

PACKAGED WEIGHT: 1.6kg / 3.53 lbs

SAFE WORKING LOAD: 10kg/ 22.05 lbs

COLOUR: Satin White

ACCESSORIES INCLUDED:

1 x H50 Pin-Hex key
1 x 17mm (0.7") Spanner
4 x M2.5 43mm (1.7") pan slot for Optoma & Acer
4 x M3 43mm (1.7") screws
4 x M4 43mm (1.7") screws
4 x M5 43mm (1.7") screws
4 x M6 43mm (1.7") screws
4 x M8 50mm (2.0") Ceiling Fixtures with rawl plugs
1 x Safety Tether

WARRANTY: Lifetime return-to-base
2 years onsite (UK only)

COMPLIANCES: TUV-GS Certification

ORDER PART CODE: TM-CC [SAP: 1932372]



TM-ST2

Short-Throw Projector Wall Mount

- Telescopic boom 930-1530mm / 36.61" x 60.24" (centre-of-projector to wall)
- Projector can be mounted at any point along boom
- Adjustable boom incline



Details

The Techmount ST2 supports 99% of short-throw and ultra-short-throw projectors with no extra parts required. It is a strong, flexible mount which uses Vision's universal spider fitting to attach projectors.

Long Boom

The boom is up to 1530mm (60.24") - long enough for short throw projectors to project an image 2000mm (78.74") wide. The spider can be mounted at any point along the boom.

Telescopic

The two-part boom allows easy adjustment of image size. Cables are dropped down the pole during assembly. The pole which fits to the wall bracket is 800mm (31.5") long, and the outer pole is 900mm (35.4") long.

Gradient Adjustment

A flexible wall plate allows the installer to alter the slope of the boom to offset the weight of heavy projectors.

Projector Tilt

The TM-ST2 allows plenty of roll adjustment.

Fine Adjustment

The wall plate gives the installer some fine-tuning adjustment of the boom up and down and side to side.

Security Bit

The TM-ST2 uses pin-hex security bolts which require a bespoke hex key. Vision includes a pin-hex drill bit to help assemble the product quickly using a power drill.

One-Person Installation

The modular design makes it simple to fit quickly. Just fix the wall mount in place, fit the boom, then attach the projector.

[Manual](#)

[Quick Manual](#)

Specifications

BOOM LENGTH: 930-1530mm / 36.61" x 60.24"

WALLPLATE FOOTPRINT:
250 x 152 mm / 9.84" x 6.0" (height x width)

BOX DIMENSIONS:
1160 x 160 x 115 mm / 45.7" x 6.3" x 4.5"

PACKAGED WEIGHT:
5.6 kg / 12.35 lbs

SAFE WORKING LOAD: 10kg / 22.05 lbs

COLOUR: Satin White

ACCESSORIES INCLUDED:

- 1 x H50 Pin-Hex key
- 1 x 17mm (0.7") Spanner
- 4 x M2.5 43mm (1.7") pan slot for Optoma & Acer
- 4 x M3 43mm (1.7") screws
- 4 x M4 43mm (1.7") screws
- 4 x M5 43mm (1.7") screws
- 4 x M6 43mm (1.7") screws
- 4 x M8 50mm (2.0") Wall Fixtures
- 1 x Wall Plate Cover
- 1 x Boom End Cap
- 1 x Safety Fall-Arrest Tether

WARRANTY: Lifetime return-to-base
2 years onsite (UK only)

COMPLIANCES: TUV-GS

ORDER PART CODE: TM-ST2 [SAP:2775928]



VFM-FM

Motorised Flat Panel Floor Stand

- Lifts flat-panels weighing up to 130kg
- Linak motor provides 500mm (19.7") height adjustment
- Optional extras: cover, shelf, wheels



Details

The Vision Flat-Panel Mount Floor (VFM-F) range has the greatest adjustability of any mount available. It accepts almost any size of display – interactive or not. The H-frame provides incredible strength, flexibility, and stability.

Lifts 130kg (287 lbs)

The heaviest interactive flat panel is the 84" Microsoft Surface Hub which weighs almost 130kg. During repetition testing only Linak's motor was still working after one week. Linak are the gold-standard in linear-drive motors and have worked with Vision to customize a motor just for this mount.

800 x 600 VESA

Fits any displays with mounting points 800 mm (31.5") wide x 600 mm (23.6") tall. The flat panel mount has locking screws which prevent lifting.

1200mm overall height adjustment

As well as the 500mm (20") of motorised movement, the outer legs fix to the H-frame with 700mm (28") of range to provide levelling and height adjustment. That means up to 1200mm (47") of range! At its lowest setting it can almost touch the floor. At its highest setting the display can be around 2500mm (98") high.

Wide Stance

The legs are 750mm (30") wide to create a stable platform. This width reduces wobble and eliminates jacking (shuddering) as the display travels up due to uneven weight distribution.

Control

A simple cable remote control sticks to the side- at the top of the flat panel out of reach.

4 x Wall Anchors

The H-Frame – which is 133mm (5.2") deep overall – can be fixed directly to the wall or the wall anchors can stand it off from the wall up to 150mm (5.9") to allow dado rail to pass behind. The wall anchors can be positioned literally at any point behind the H-Frame.

Height Limiter

A safety switch fixes to the top-rear of the display and stops the motor if the moving assembly hits the ceiling. It can also be fixed to the bottom of the display to stop descent.

Cable Management

The wall anchor sub-frame has slots to easily cable-tie power distribution blocks and cables at rear.

Options

Cover

This mount looks great without a cover but for corporate applications the optional cover is essential. Constructed from Aluminium Composite Panel which is strong and scratch resistant, the cover comes in four parts: one section goes above the display and is only visible when the screen is at its lowest point. The other three sections fix below the screen.

1200 x 600 VESA

The mount can be swapped out with the larger VFM-W12X6 to accommodate bigger flat panels.

Wheels

Sturdy wheels convert the assembly into a portable solution. The wheels include a cross-brace and measure 750mm x 750mm (29.5"). 70mm (2.8") locking wheels are used.

Shelf

A shelf is available which can be mounted above or below the flat-panel at various heights. 306mm (12") deep x 500mm (19.7") wide.

Specifications

PACKAGED DIMENSIONS:

VFM-FM: 1400 x 380 x 140 mm/ 55.12" x 14.96" x 5.51"

VFM-FC: 800 x 140 x 610 mm/ 31.5" x 5.51" x 24.0"

VFM-FW: 835 x 230 x 110 mm/ 32.87" x 9.06" x 4.33"

VFM-FS: 860 x 360 x 60 mm/ 33.9" x 14.2" x 2.4"

PRODUCT WEIGHT:

VFM-FM: 45 kg (99.2 lbs)

VFM-FC: 11.5 kg (25.4 lbs)

VFM-FW: 12 kg (26.5 lbs)

VFM-FS: 4.5 kg (9.9 lbs)

PACKAGED WEIGHT:

VFM-FM: 53 kg (116.8 lbs)

VFM-FC: 13 kg (28.66 lbs)

VFM-FW: 14 kg (30.9 lbs)

VFM-FS: 6.5 kg (14.3 lbs)

SAFE WORKING LOAD:

110" flat panel / 130kg (287 lbs)

Note: when using wheels extreme caution should be used when moving a heavy assembly.

Vision recommends not raising the display over 2000mm (78.7") high unless it is possible to secure the top of the H-Frame to a load bearing structure.

CONSTRUCTION MATERIAL:

Steel

COLOUR: White

VFM-FC (Optional Cover): Dark Grey

VESA SIZES: All sizes up to and including 800 x 600 mm / 31.5" x 23.6"

TECHNICAL DETAILS:

Motor Type: Linear-drive

Auto Brake: Yes

Pushing Force: 1500N

Travel Distance: 500mm / 19.7"

ACCESSORIES INCLUDED:

1 x EU IEC Power cable 1.8m (6 ft) long

1 x UK IEC Power cable 1.8m (6 ft) long

1 x AU IEC Power cable 1.8m (6 ft) long

1 x US IEC Power cable 1.8m (6 ft) long

POWER SUPPLY: 110-230V Internal Power Supply

WARRANTY: Lifetime return-to-base

2 years onsite (UK only)

COMPLIANCES: RoHS, WEEE, FCC, CE/EMC, CE/LVD, RCM/

DOC, RCM/POC

ORDER PART CODE:

VFM-FM: [SAP: 4291362]

Optional accessories:

Cover: VFM-FC [SAP: 4291363]

Wheels: VFM-FW [SAP: 4291126]

Shelf: VFM-FS [SAP: 4291125]

Larger VESA bracket: VFM-W12X6 [SAP:3782116]

VFM-F

Fixed-Height Flat Panel Floor Stand

- Height can be set from almost touching the floor to 2500 mm high
- Transfers weight of touch panel to the ground
- Optional extras: cover, shelf, wheels



Details

The Vision Flat-Panel Mount Floor (VFM-F) range has the greatest adjustability of any mount available. It accepts almost any size of display – interactive or not. The H-frame provides incredible strength, flexibility, and stability.

The cover and shelf shown in the images are optional extras.

Height adjustment

The flat-panel mount can be fixed to the legs at almost any height. Plus the outer legs adjust up and down the H-frame with 700mm (28") of range to provide levelling and height adjustment. At its lowest setting it can almost touch the floor. At its highest setting the top of the display can be around 2500mm (98") high.

800 x 600 VESA

Fits any displays with mounting points 800 mm (31.5") wide x 600 mm (23.6") tall. The flat panel mount has locking screws which prevent lifting.

Wide Stance

The legs are 750mm (30") wide to create a stable platform. This width reduces wobble and eliminates jacking (shuddering) as the display travels up due to uneven weight distribution.

4 x Wall Anchors

The H-Frame – which is 133mm (5.2") deep overall – can be fixed directly to the wall or the wall anchors can stand it off from the wall up to 150mm (5.9") to allow dado rail to pass behind. The wall anchors can be positioned literally at any point behind the H-Frame.

Cable Management

The wall anchor sub-frame has slots to easily cable-tie power distribution blocks and cables at rear.

Options

Cover

This mount looks great without a cover but for corporate applications the optional cover is essential. Constructed from Aluminium Composite Panel which is strong and scratch resistant, the cover comes in four parts: one section goes above the display and is only visible when the screen is at its lowest point. The other three sections fix below the screen.

1200 x 600 VESA

The mount can be swapped out with the larger VFM-W12X6 to accommodate bigger flat panels.

Wheels

Sturdy wheels convert the assembly into a portable solution. The wheels include a cross-brace and measure 750mm x 750mm (29.5"). 70mm (2.8") locking wheels are used.

Shelf

A shelf is available which can be mounted above or below the flat-panel at various heights. 306mm (12") deep x 500mm (19.7") wide.

Specifications

PACKAGED DIMENSIONS:

VFM-F: 1400 x 380 x 110 mm / 55.12" x 14.96" x 4.33"
VFM-FC: 800 x 140 x 610 mm / 31.5" x 5.51" x 24.0"
VFM-FW: 835 x 230 x 110 mm / 32.87" x 9.06" x 4.33"
VFM-FS: 860 x 360 x 60 mm / 33.9" x 14.2" x 2.4"

PRODUCT WEIGHT:

VFM-F: 35 kg (77.16 lbs)
VFM-FC: 11.5 kg (25.4 lbs)
VFM-FW: 12 kg (26.5 lbs)
VFM-FS: 4.5 kg (9.9 lbs)

PACKAGED WEIGHT:

VFM-F: 40 kg (88.18 lbs)
VFM-FC: 13 kg (28.66 lbs)
VFM-FW: 14 kg (30.9 lbs)
VFM-FS: 6.5 kg (14.3 lbs)

SAFE WORKING LOAD:

110" flat panel / 130kg (287 lbs)

Note: when using wheels extreme caution should be used when moving a heavy assembly.

Vision recommends not raising the display over 2000mm (78.7") high unless it is possible to secure the top of the H-Frame to a load bearing structure.

CONSTRUCTION MATERIAL: Steel

COLOUR: White

VFM-FC (Optional Cover): Dark Grey

VESA SIZES:

All sizes up to and including 800 x 600 mm / 31.5" x 23.6"

ACCESSORIES INCLUDED:

n/a

WARRANTY: Lifetime return-to-base

2 years onsite (UK only)

COMPLIANCES: RoHS, WEEE, FCC, CE/EMC, CE/LVD, RCM/DOC, RCM/POC

ORDER PART CODE:

VFM-F: [SAP: 4291361]

Optional accessories:

Cover: VFM-FC [SAP: 4291363]

Wheels: VFM-FW [SAP: 4291126]

Shelf: VFM-FS [SAP: 4291125]

Larger VESA bracket: VFM-W12X6 [SAP:3782116]

VFM-W1X1

Flat-Panel Wall Mount



- VESA Wall Mount for small-medium LCD Monitors
- Fits displays with 75 x 75 and 100 x 100mm mounting holes
- Locking anti-theft mechanism

Details

This Vision Flat-Panel Mount is robust and simple. It fits any flat-panel LCD or LED screen which uses a standard VESA100 mounting configuration – which are 100 x 100mm tall apart. Most small to medium desktop monitors use this mounting configuration.

SWL 30 kg

Most desktop monitors are very lightweight, but interactive displays and kiosk touch-panels are much heavier. Vision's VFM-W1x1 can take up to 30 kg – sufficient to support most monitors up to 28".

Shallow

The thin design holds the display close to the wall. This looks better, reduces snagging risk, and because the load is close to the wall the mount has a higher safe working load rating.

Simple Installation

A proven 2-part design allows fast fixing, with slotted holes on the wall part allowing levelling adjustment after fixing.

Secure

Once in place a locking screw is fitted to avoid theft.

[Quick Manual](#)
[TM-W1X1 dimensions](#)



Specifications

PRODUCT DIMENSIONS:

127 x 115 x 9.5 mm / 5.0" x 4.5" x 0.4" (height x width x depth)

PACKAGED DIMENSIONS:

140 x 125 x 20 mm / 5.5" x 5" x 0.8"

PRODUCT WEIGHT: 0.30 kg (0.7 lbs)

PACKAGED WEIGHT: 0.35 g (0.8 lbs)

SAFE WORKING LOAD: 30 kg (66 lbs)

CONSTRUCTION MATERIAL: Steel

COLOUR: Black

VESA SIZES:

100 x 100 mm / 4" x 4"

75 x 75 mm / 3" x 3"

From September 2017 50 x 50 mm / 2 x 2"

ACCESSORIES INCLUDED:

4 x M4 12mm screw

4 x M5 12mm screw

4 x M6 12mm screw

WARRANTY: Lifetime return-to-base

2 years onsite (UK only)

COMPLIANCES: N/A

ORDER PART CODE:

VFM-W1X1 [SAP: 3782314]

VFM-W2X2

Flat-Panel Wall Mount

- VESA Wall Mount for medium-large LCD screens
- Fits displays with 75 x 75, 100 x 100, 200 x 100, and 200 x 200mm mounting holes
- Locking anti-theft mechanism



Details

This Vision Flat-Panel Mount is robust and simple. It fits any flat-panel LCD or LED screen which uses a standard VESA mounting configuration up to "VESA 200"- which are 200 x 200mm tall apart.

SWL 30 kg

Most desktop monitors are very lightweight, but interactive displays and kiosk touch-panels are much heavier. Vision's VFM-W2x2 can take up to 30 kg – sufficient to support most monitors up to 50".

Shallow

The thin design holds the display close to the wall. This looks better, reduces snagging risk, and because the load is close to the wall the mount has a higher safe working load rating.



Simple Installation

A proven 2-part design allows fast fixing, with slotted holes on the wall part allowing levelling adjustment after fixing.

Secure

Once in place a locking screw is fitted to avoid theft.

[Quick Manual](#)
[TM-W2X2 dimensions](#)



Specifications

PRODUCT DIMENSIONS:

215 x 215 x 15.5 mm / 8.5" x 8.5" x 0.6" (height x width x depth)

PACKAGED DIMENSIONS:

140 x 125 x 20 mm / 5.5" x 5" x 0.8"

PRODUCT WEIGHT:

0.40 kg (0.9 lbs)

PACKAGED WEIGHT:

0.45 g (1.0 lbs)

SAFE WORKING LOAD:

30 kg (66 lbs)

CONSTRUCTION MATERIAL:

Steel

COLOUR:

Black

VESA SIZES:

200 x 200 mm / 7.9" x 7.9"

200 x 100 mm / 7.9" x 4"

100 x 100 mm / 4" x 4"

75 x 75 mm / 3" x 3"

ACCESSORIES INCLUDED:

4 x M4 12mm screw

4 x M5 12mm screw

4 x M6 12mm screw

WARRANTY:

Lifetime return-to-base

2 years onsite (UK only)

COMPLIANCES:

N/A

ORDER PART CODE:

VFM-W2X2 [SAP: 3782313]

VFM-W8X4

Flat-Panel Wall Mount



- Wall Mount for large-format flat panels with mounting points up to 800 x 400mm apart
- Heavy Duty 130kg SWL for Interactive Flat Panels
- Locking anti-theft mechanism

Details

Vision's Vision Flat-Panel Mount range is tough and flexible. The VFM-W8X4 fits any flat-panel LCD or LED screen which has rear mounting holes up to 800 wide x 400mm tall apart.

SWL 130kg

Interactive flat panels are large and very heavy. Vision's VFM-W8x4 uses heavy gauge 3mm sheet metal to take the weight of these displays.

Universal

It fits most panels from 55-84", including:

- Promethean's ActivPanel 55, 65, and the 84" model which uses 600 x 400. Note: excludes 75" models which use 600 x 600.
- Sahara's Clevertouch range up to and including the 80" which uses 400 x 400 mounting points
- Microsoft's 55" Surface Hub which uses 400 x 400mm mounting points.

Shallow

The thin design holds the display close to the wall. This looks better, reduces snagging risk, and because the load is close to the wall the mount has a higher safe working load rating.

Simple Installation

A proven design allows fast fixing, and slotted holes on the wall part allowing levelling adjustment after fixing.

Secure

Once in place locking screws are fitted to prevent the assembly being lifted off the wall bracket.

[Quick Manual](#)
[TM-W8X4 dimensions](#)

Specifications

PRODUCT DIMENSIONS:

850 x 424 x 36 mm / 33.5" x 16.7" x 1.4" (height x width x depth)

PACKAGED DIMENSIONS:

870 x 235 x 50 mm / 34.5" x 9.2" x 2.0" VFM-W8X4

PRODUCT WEIGHT:

4.2 kg (9.3 lbs)

PACKAGED WEIGHT:

4.4 g (9.7 lbs)

SAFE WORKING LOAD:

130kg (286 lbs)

CONSTRUCTION MATERIAL:

Steel

COLOUR:

Black

VESA SIZES:

800 x 400 mm / 31.5" x 15.7"

600 x 400 mm / 23.6" x 15.7"

500 x 500 mm / 19.7" x 19.7"

400 x 400 mm / 15.7" x 15.7" (for 55" Microsoft Surface Hub)

400 x 300 mm / 15.7" x 11.8"

400 x 200 mm / 15.7" x 7.9"

300 x 300 mm / 11.8" x 11.8"

200 x 400 mm / 7.9" x 15.7"

200 x 200 mm / 7.9" x 7.9"

ACCESSORIES INCLUDED:

4 x M5 25 mm screw

4 x M6 25 mm screw

4 x M8 25 mm screw

WARRANTY:

Lifetime return-to-base

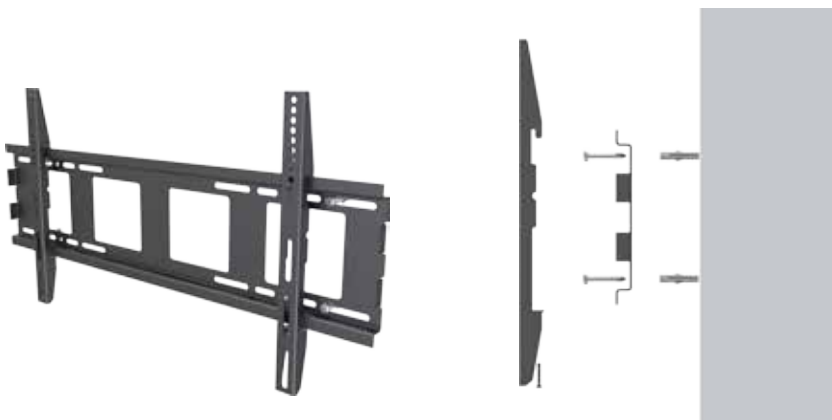
2 years onsite (UK only)

COMPLIANCES:

N/A

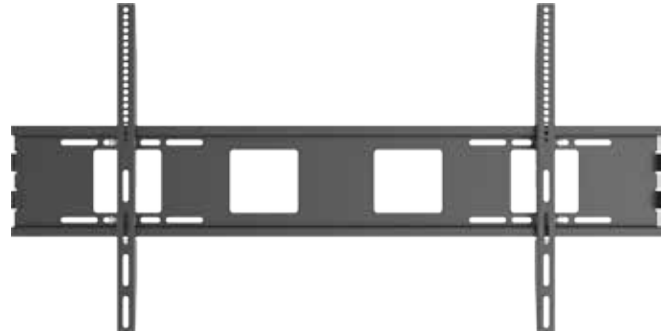
ORDER PART CODE:

VFM-W8X4 [SAP: 3782117]



VFM-W12X6

Flat-Panel Wall Mount



- Wall Mount for large-format flat panels with mounting points up to 1200 x 600mm apart
- Heavy Duty 130kg SWL for Interactive Flat Panels
- Locking anti-theft mechanism

Details

Vision's Vision Flat-Panel Mount range is tough and flexible. The VFM-W12X6 fits any flat-panel LCD or LED screen which has rear mounting holes up to 1200 wide x 600mm tall apart.

SWL 130kg

Interactive flat panels are large and very heavy. Vision's VFM-W12x6 uses heavy gauge 3mm sheet metal to take the weight of these displays.

Universal

It fits most panels from 55-84", including:

- Promethean's ActivPanel range up to and including the 75" which uses 600 x 600 mounting points, and the 84" which uses 600 x 400 mounting points
- Sahara's Clevertouch range up to and including the 84" which uses 600 x 600 mounting points.
- Microsoft's 84" Surface Hub which uses 1200 x 600mm mounting points.

Shallow

The thin design holds the display close to the wall. This looks better, reduces snagging risk, and because the load is close to the wall the mount has a higher safe working load rating.

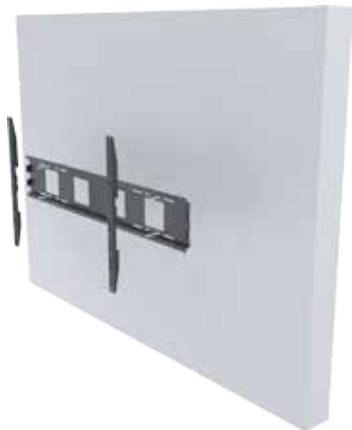
Simple Installation

A proven design allows fast fixing, and slotted holes on the wall part allowing levelling adjustment after fixing.

Secure

Once in place locking screws are fitted to prevent the assembly being lifted off the wall bracket.

[Quick Manual](#)
[TM-W12X6 dimensions](#)



Specifications

PRODUCT DIMENSIONS:

1250 x 624 x 36 mm / 49.2" x 24.6" x 1.4" (height x width x depth)

PACKAGED DIMENSIONS:

1270 x 235 x 50 mm / 50.0" x 9.2" x 2.0"

PRODUCT WEIGHT: 7.8 kg (17.2 lbs)

PACKAGED WEIGHT: 8.0 g (17.6 lbs)

SAFE WORKING LOAD: 130kg (286 lbs)

CONSTRUCTION MATERIAL: Steel

COLOUR: Black

VESA SIZES:

1200 x 600 mm / 47.2" x 23.6" (for 84" Microsoft Surface Hub)

1000 x 600 mm / 39.4" x 23.6"

800 x 600 mm / 31.5" x 23.6"

800 x 400 mm / 31.5" x 15.7"

600 x 600 mm / 23.6" x 23.6"

600 x 400 mm / 23.6" x 15.7"

500 x 500 mm / 19.7" x 19.7"

400 x 400 mm / 15.7" x 15.7" (for 55" Microsoft Surface Hub)

400 x 300 mm / 15.7" x 11.8"

400 x 200 mm / 15.7" x 7.9"

300 x 300 mm / 11.8" x 11.8"

200 x 400 mm / 7.9" x 15.7"

200 x 200 mm / 7.9" x 7.9"

ACCESSORIES INCLUDED:

4 x M6 25 mm screw

4 x M8 25 mm screw

WARRANTY: Lifetime return-to-base

2 years onsite (UK only)

COMPLIANCES: N/A

ORDER PART CODE:

VFM-W12X6 [SAP: 3782116]

VFM-C2X2

Flat-Panel Ceiling Mount 200x200

- Fixes flat panels up to 40" to the ceiling
- Tilt adjustment up to 15°
- Telescopic pole 460-790mm from ceiling to centre of screen



Details

Vision's Vision Flat-Panel Mount - Ceiling range is functional and flexible. The VFM-c2X2 fits any flat-panel LCD or LED screen which has rear mounting holes 100 x 100 mm or 200 x 200 mm apart. Most computer monitors use 100 x 100 fixing points, and most 30-40" displays use 200 x 200 fixing points.

VESA

The VESA system measures how far apart the mounting holes are on the back of your flat-panel. Holes 200 x 200 mm apart are known as VESA 200 and will suit this mount.

SWL 35 kg

This mount has a "safe working load" of 35 kg (77 lb) - enough to support most flat panels.

Up to 40"

Fits screens up to 40". If a larger display has the correct mounting points and weighs less than the SWL this mount can support it safely.

Tilt

The tilt adjustment allows the display to be directed at the audience to avoid glare and optimise the viewing angle.

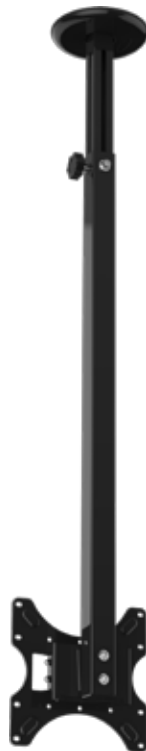
Retail Applications

Ideal for doctors waiting rooms, dentists ceilings, or to deliver digital signage in any retail environment.

Attractive

Vision strives to create unobtrusive and functional mounts. The C2X2 includes a cover to hide the ugly ceiling fixtures.

[Quick Manual](#)



Specifications

PRODUCT DIMENSIONS: see image

PACKAGED DIMENSIONS: 645 x 240 x 170 mm / 25.4" x 9.45" x 6.69" (length x width x height)

PRODUCT WEIGHT: 3.95 kg (8.7 lbs)

PACKAGED WEIGHT: 4.5 kg / 9.92 lbs

SAFE WORKING LOAD: 35 kg (77 lbs)

CONSTRUCTION MATERIAL: Steel

COLOUR:

VESA SIZES:

200 x 200 mm / 7.9" x 7.9"

100 x 100 mm / 3.9" x 3.9"

ACCESSORIES INCLUDED:

4 x M4 12mm screws

4 x M4 16mm screws

4 x M5 16mm screws

4 x M5 36mm screws

4 x M6 16mm screws

4 x M6 36mm screws

WARRANTY: Lifetime return-to-base

2 years onsite (UK only)

COMPLIANCES: N/A

ORDER PART CODE: VFM-C2X2 [SAP: 3951895]

VFM-C6X4

Flat-Panel Ceiling Mount 600x400

- Fixes flat panels up to 70" to the ceiling
- Tilt adjustment up to 15°
- Telescopic pole 460-790mm from ceiling to centre of screen



Details

Vision's Vision Flat-Panel Mount - Ceiling range is functional and flexible. The VFM-c6X4 features the same pole as the C2X2 but fits any flat-panel LCD or LED screen which has rear mounting holes up to 600 wide x 400 mm tall apart.

VESA

The VESA system defines how far apart the mounting holes are on the back of the flat-panel. This mount is designed for flat panels which have holes 600 wide x 400 mm apart - known as VESA600x400. It will also fit smaller VESA sizes such as 400 x 400 mm.

SWL 35 kg

This mount has a "safe working load" of 35 kg (77 lb)- enough to support most flat panels.

Up to 70"

Fits screens up to 70". If a larger display has the correct mounting points and weighs less than the SWL this mount can support it safely.

Tilt

The tilt adjustment allows the display to be directed at the audience to avoid glare and optimise the viewing angle.

Retail Applications

Ideal for doctors waiting rooms, dentists ceilings, or to deliver digital signage in any retail environment.

Attractive

Vision strives to create unobtrusive and functional mounts. The C6X4 includes a cover to hide the ugly ceiling fixtures.

[Quick Manual](#)

Specifications

PRODUCT DIMENSIONS: see drawings

PACKAGED DIMENSIONS: 780 x 245 x 180 mm / 30.71" x 9.65" x 7.09" (length x width x height)

PRODUCT WEIGHT: 7.3 kg (16 lbs)

PACKAGED WEIGHT: 9.1 kg / 20.06 lbs

SAFE WORKING LOAD: 35 kg (77 lbs)

CONSTRUCTION MATERIAL: Steel

COLOUR: Black

VESA SIZE:

600 x 400 mm / 23.6" x 15.7"

500 x 500 mm / 19.7" x 19.7"

400 x 400 mm / 15.7" x 15.7"

400 x 300 mm / 15.7" x 11.8"

400 x 200 mm / 15.7" x 7.9"

300 x 300 mm / 11.8" x 11.8"

200 x 400 mm / 7.9" x 15.7"

200 x 200 mm / 7.9" x 7.9"

ACCESSORIES INCLUDED:

4 x M4 12mm screws

4 x M4 16mm screws

4 x M5 16mm screws

4 x M5 36mm screws

4 x M6 16mm screws

4 x M6 36mm screws

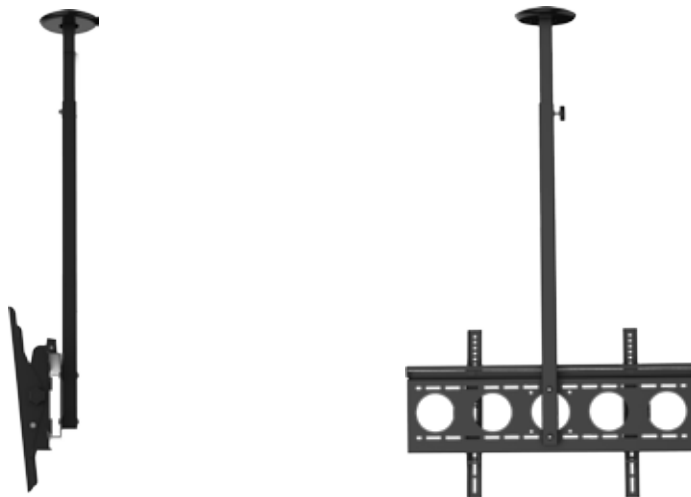
4 x M8 16mm screws

4 x M8 36mm screws

WARRANTY: 3-year return to base

COMPLIANCES: N/A

ORDER PART CODE: VFM-C6X4 (SAP: 3951896)



VFM-DA2

Flat-Panel Desk Arm 100x100

- Double-articulated desk mount for flat panels up to 30"
- Cable Management and adjustable dampers
- Premium Aluminium construction



Details

The Vision Flat-Panel Mount – Desk range is tough and flexible. The VFM-DA2 (desk arm) fits any flat-panel LCD or LED screen which has 100 x 100mm rear mounting holes – most computer monitors.

SWL 9 kg

The VFM-DA2 can support monitors up to 9 kg (20 lb).

Up to 30"

If a larger display has the correct mounting points and weighs less than the SWL this mount can support it safely.

Adjustable Dampers

To allow for different loads the dampers can be tightened or loosened to make sure the display stays where it is when you let go of it.

Cable Management

Clip on covers allow tidy cable routing.

Clamp or Fix

The VFM-DA2 can be clamped or a fixing adaptor is included to bolt it to the table (requires drilling hole in table).

Freedom of Movement

Almost endless tilt, rotation, swivel, and height adjustment puts the display right where you need it.

Maximum Height

The maximum height from the desk top to the centre of the screens is 390 mm (15.3").

[Quick Manual](#)

Specifications

PRODUCT DIMENSIONS: see image

PACKAGED DIMENSIONS: 407 x 292 x 122 mm / 16.0" x 11.5" x 4.8" (length x width x height)

PRODUCT WEIGHT: 3.0 kg / 6.6 lbs

PACKAGED WEIGHT: 3.8 kg / 8.4 lbs

SAFE WORKING LOAD: 9kg / 19.84 lbs

CONSTRUCTION MATERIAL: Aluminum

COLOUR: Silver

VESA SIZES:
100 x 100 mm / 3.9" x 3.9"

ACCESSORIES INCLUDED:
4 x M4 12mm screw
4 x M5 12mm screw
3 x M6 12mm screw
2 x M6 10mm screw

WARRANTY: Lifetime return-to-base
2 years onsite (UK only)

COMPLIANCES: REACH

ORDER PART CODE: VFM-DA2 [SAP: 4291128]



VFM-DAD2

Flat-Panel Desk Arm 100x100 Dual

- Double-articulated desk mount for two flat panels up to 30"
- Cable Management and adjustable dampers
- Premium Aluminium construction



Details

The Vision Flat-Panel Mount – Desk range is tough and flexible. The VFM-DAD2 (desk arm dual) accommodates two flat-panel LCD or LED screens which have 100 x 100mm rear mounting holes – in other words almost all computer monitors.

SWL 18 kg

The VFM-DAD2 can support monitors up to 18 kg (39.7 lb).

Up to 30"

If a larger displays have the correct mounting points and weighs less than the SWL this mount can support it safely.

Adjustable Dampers

To allow for different loads the dampers can be tightened or loosened to make sure the display stays where it is when you let go of it.

Cable Management

Clip on covers allow tidy cable routing.

Clamp or Fix

The VF-DAD2 can be clamped or a fixing adaptor is included to bolt it to the table (requires drilling hole in table).

Freedom of Movement

Almost endless tilt, rotation, swivel, and height adjustment puts the display right where you need it.

Move independently

Move each display up and down independently to get the right ergonomic setup.

Maximum Span

The centres of the displays can be up to 1130 mm (44.5") apart. The maximum height from the desk top to the centre of the screens is 390 mm (15.4").

[Quick Manual](#)



Specifications

PRODUCT DIMENSIONS: see image

PACKAGED DIMENSIONS: 422 x 327 x 140 mm / 16.6" x 12.9" x 5.5" (length x width x height)

PRODUCT WEIGHT: 5.8 kg / 12.8 lbs

PACKAGED WEIGHT: 6.4 kg / 14.1 lbs

SAFE WORKING LOAD: 18 kg / 39.7 lbs

CONSTRUCTION MATERIAL: Aluminum

COLOUR: Silver

VESA SIZES:
100 x 100 mm / 3.9" x 3.9"

ACCESSORIES INCLUDED:
8 x M4 12mm screw
8 x M5 12mm screw
3 x M6 12mm screw
2 x M6 10mm screw

WARRANTY: Lifetime return-to-base
2 years onsite (UK only)

COMPLIANCES: REACH

ORDER PART CODE: VFM-DAD2 [SAP: 4291127]

VFM-DP

Flat-Panel Desk Post 100x100

- Double-articulated desk mount for flat panels up to 30"
- Cable management
- Flexible low-cost post-style design



Details

Vision's Vision Flat-Panel Mount - Desk range is tough and flexible. The VFM-DP (desk post) fits any flat-panel LCD or LED screen which has 100 x 100mm rear mounting holes - most computer monitors.

SWL 10 kg

The VFM-DP can support monitors up to 10 kg (22 lb).

Up to 30"

If a larger display has the correct mounting points and weighs less than the SWL this mount can support it safely.

Double-Pivot

Two articulated points in the horizontal arm allow a huge range of positioning.

Cable Management

Clips on the arm secure cables which can then be dropped down inside the post for tidy cable routing.

Variable Height

Slide articulated arm up and down the post, then lock off required height. The post is 392 mm (15.4") tall.

Freedom of Movement

85-15° of tilt adjustment, and 180° of rotation adjustment, plus the double-articulated arms puts the display right where you need it.

[Quick Manual](#)

Specifications

PRODUCT DIMENSIONS: see image

PACKAGED DIMENSIONS: 427 x 177 x 126 mm / 16.81" x 6.97" x 4.96" (length x width x height)

PRODUCT WEIGHT: 2.65 kg (5.8 lbs)

PACKAGED WEIGHT: 3 kg / 19.84 lbs

SAFE WORKING LOAD: 10 kg (22 lbs)

CONSTRUCTION MATERIAL: Steel

COLOUR: Black

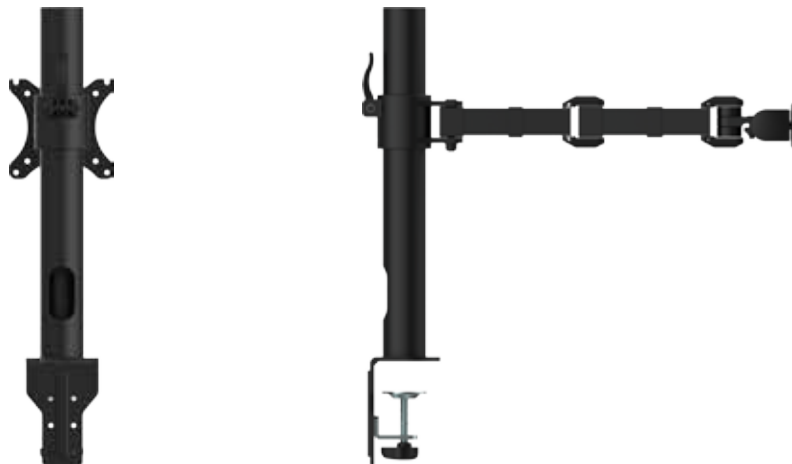
VESA SIZES:
100 x 100 mm / 3.9" x 3.9"

ACCESSORIES INCLUDED:
4 x M4 12mm screw
4 x M5 12mm screw

WARRANTY: Lifetime return-to-base
2 years onsite (UK only)

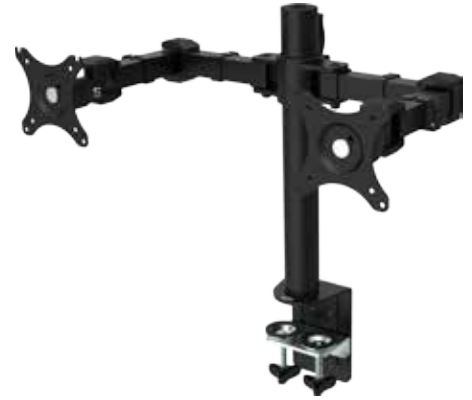
COMPLIANCES: N/A

ORDER PART CODE: VFM-DP [SAP: 3951893]



VFM-DPD

Flat-Panel Desk Post 100x100 Dual



- Double-articulated desk mount for two flat panels up to 30"
- Cable management
- Flexible low-cost post-style design

Details

Vision's Vision Flat-Panel Mount - Desk range is tough and flexible. The VFM-DPD (desk post dual) fits any flat-panel LCD or LED screen which has 100 x 100mm rear mounting holes - most computer monitors.

SWL 10 kg

The VFM-DPD can support monitors up to 10 kg (22 lb).

Up to 30"

If a larger displays have the correct mounting points and weighs less than the SWL this mount can support it safely.

Double-Pivot

Two articulated points in the horizontal arms allow a huge range of positioning.

Cable Management

Clips on the arm secure cables which can then be dropped down inside the post for tidy cable routing.

Variable Height

Slide articulated arm up and down the post, then lock off required height. The post is 450 mm (17.7") tall.

Freedom of Movement

85-15° of tilt adjustment, and 180° of rotation adjustment, plus the double-articulated arms puts the display right where you need it.

Maximum Span

The centres of the displays can be up to 720 mm (28.3") apart.

[Quick Manual](#)

Specifications

PRODUCT DIMENSIONS: see image

PACKAGED DIMENSIONS: 407 x 316 x 126 mm / 16.02" x 12.44" x 4.96" (length x width x height)

PRODUCT WEIGHT: 4.33 kg (9.5 lbs)

PACKAGED WEIGHT: 5.08 kg / 11.20 lbs

SAFE WORKING LOAD: 10 kg (22 lbs)

CONSTRUCTION MATERIAL: Steel

COLOUR: Black

VESA SIZES:
100 x 100 mm / 3.9" x 3.9"

ACCESSORIES INCLUDED:
8 x M4 12mm screw
8 x M5 12mm screw

WARRANTY: Lifetime return-to-base
2 years onsite (UK only)

COMPLIANCES: N/A

ORDER PART CODE: VFM-DPD [SAP: 3951894]



VFM-DS

Desk Arm Shelf

- Double-articulated desk mounted shelf for laptops or keyboards
- Cable Management and adjustable dampers
- Premium Aluminium construction



Details

Vision's Vision Flat-Panel Mount - Desk range is tough and flexible. The VFM-DS (desk shelf) has a generous 500 mm wide x 330 mm (19.7" x 13") deep shelf for keyboards, laptops, or tablets such as Microsoft's Surface.

Sit Stand

The shelf is designed to be steady enough to type on. The maximum height from the desk top to the shelf is 550 mm (21.7").

SWL 7 kg

The VFM-DS can support monitors up to 7 kg (15.4 lb).

Stable

To allow for different loads the dampers can be tightened or loosened to make sure the shelf stays where it is when you let go of it.

Cable Management

Clip on covers allow tidy cable routing.

Clamp or Fix

The VFM-DS can be clamped (as shown in images) or a fixing adaptor is included to bolt it to the table (requires drilling hole in table).

Freedom of Movement

Extensive swivel and height adjustment puts the laptop or tablet right where you need it.

[Quick Manual](#)

Specifications

PRODUCT DIMENSIONS: see image

PACKAGED DIMENSIONS: 527 x 342 x 175 mm / 20.75" x 13.46" x 6.89" (length x width x height)

PRODUCT WEIGHT: 7.8 kg (17.1 lbs)

PACKAGED WEIGHT: 8.95 kg / 19.73 lbs

SAFE WORKING LOAD: 7 kg (15.43 lbs)

CONSTRUCTION MATERIAL: Aluminium

COLOUR: Silver

WARRANTY: Lifetime return-to-base
2 years onsite (UK only)

COMPLIANCES: N/A

ORDER PART CODE: VFM-DS [SAP: 3951892]



VFM-WA1X1

Flat-Panel Wall Arm 100x100

- Double-articulated wall mount for flat panels up to 30"
- Cable management and adjustable dampers
- Premium Aluminium construction



Details

Vision's Vision Flat-Panel Mount - Wall range is tough and flexible. The VFM-WA1X1 (wall arm) fits any flat-panel LCD or LED screen which has 100 x 100mm rear mounting holes - most computer monitors.

SWL 9 kg

The VFM-WA1X1 can support monitors up to 9 kg (20 lb). Note: if a larger display has the correct mounting points and weighs less than the SWL this mount can support it safely.

Adjustable Dampers

To allow for different loads the dampers can be tightened or loosened to make sure the display stays where it is when you let go of it.

Cable Management

Clip on covers allow tidy cable routing.

Sit Stand

Complements Vision's wall-mount shelf VFM-WS for a sit-stand setup.

Freedom of Movement

Almost endless tilt, rotation, swivel, and height adjustment puts the display right where you need it.

Maximum Height

The maximum height from the wall anchor to the centre of the screen is 430 mm (17"). Reach is as much as 620 mm (24.4").

[Quick Manual](#)

Specifications

PRODUCT DIMENSIONS: see image

PACKAGED DIMENSIONS: 510 x 293 x 116 mm / 20.08" x 11.54" x 4.57" (length x width x height)

PRODUCT WEIGHT: 2.2 kg (4.9 lbs)

PACKAGED WEIGHT: 3.16 kg / 6.97 lbs

SAFE WORKING LOAD: 9 kg (19.84 lbs)

CONSTRUCTION MATERIAL: Aluminum

COLOUR: Silver

VESA SIZES:
100 x 100 mm / 3.9" x 3.9"

ACCESSORIES INCLUDED:
4 x M4 12mm screw
4 x M5 12mm screw

WARRANTY: Lifetime return-to-base
2 years onsite (UK only)

COMPLIANCES: N/A

ORDER PART CODE: VFM-WA1X1 [SAP: 3951881]



VFM-WA2X2

Flat-Panel Wall Arm 200x200

- Double-articulated wall mount for flat panels up to 40"
- Cable management
- Reaches up to 360 mm (14.2")



Details

Vision's Vision Flat-Panel Mount - Wall range is tough and flexible. The VFM-WA2X2(wall arm) fits any flat-panel LCD or LED screen which has 100 x 100mm or 200 x 200mm rear mounting holes.

Up to 40"

Most displays up to 40" use VESA 100 or 200 mounting points, so the WA2X2 fits the majority of displays up to this size. Note: if a larger display has the correct mounting points and weighs less than the SWL this mount can support it safely.

SWL 25 kg

This mount has a "safe working load" of 25 kg (55.1 lb). It is made of steel to make it robust.

Cable Management

Simple clips allow tidy cable routing.

Tilt and Swivel

5-10° tilt, 3° rotation, and 90° swivel. Use this mount to fix a display in a corner up high in a waiting room. Or fix displays around an office.

VESA

The VESA system defines how far apart the mounting holes are on the back of your flat-panel. Holes 200 x 200 mm apart are known as VESA 200 and will suit this mount.

[Quick Manual](#)

Specifications

PRODUCT DIMENSIONS: see image

PACKAGED DIMENSIONS: 287 x 255 x 65 mm / 11.30" x 10.04" x 2.56" (length x width x height)

PRODUCT WEIGHT: 2 kg (4.4 lbs)

PACKAGED WEIGHT: 2.30 kg / 5.07 lbs

SAFE WORKING LOAD: 25 kg (55.12 lbs)

CONSTRUCTION MATERIAL: Steel

COLOUR: Black

VESA SIZES:

200 x 200 mm / 7.9" x 7.9"

100 x 100 mm / 3.9" x 3.9"

ACCESSORIES INCLUDED:

4 x M4 20mm screws

4 x M5 20mm screws

4 x M6 20mm screws

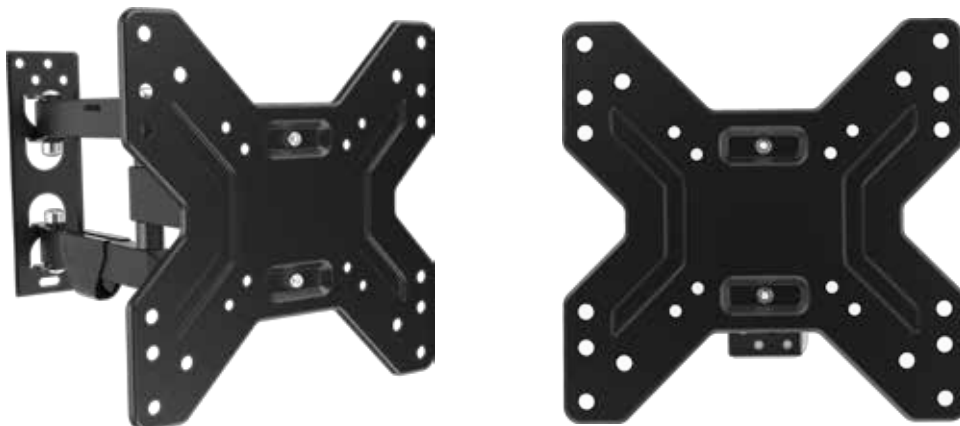
4 x M8 20mm screws

WARRANTY: Lifetime return-to-base

2 years onsite (UK only)

COMPLIANCES: N/A

ORDER PART CODE: VFM-WA2X2 [SAP: 3951882]



VFM-WA4X4

Flat-Panel Wall Arm 400x400

- Double-articulated wall mount for flat panels up to 60"
- Double-arm for added strength and stability
- Reaches up to 465 mm (18.3")



Details

Vision's Vision Flat-Panel Mount - Wall range is tough and flexible. The VFM-WA4X4 (wall arm) fits any flat-panel LCD or LED screen which has rear mounting holes up to 400 x 400 mm apart.

Up to 60"

Most 50-60" displays use VESA 400 or similar mounting points, so the WA4X4 fits the majority of displays up to this size. Note: if a larger display has the correct mounting points and weighs less than the SWL this mount can support it safely.

Double-Arms

The double-arm design makes this mount especially strong with a "safe working load" of 30 kg (66.1 lb).

Cable Management

Clip-on covers allow tidy cable routing.

Tilt and Swivel

-2-12° tilt, 3° rotation, and 45° swivel. Use this mount to fix a display in a corner up high in a waiting room. Or fix displays around an office or in meeting rooms.

VESA

The VESA system defines how far apart the mounting holes are on the back of your flat-panel. Holes 400 x 400 mm apart are known as VESA 400 and will suit this mount.

[Quick Manual](#)

Specifications

PRODUCT DIMENSIONS: see image

PACKAGED DIMENSIONS: 547 x 265 x 63 mm / 21.54" x 10.43" x 2.48" (length x width x height)

PRODUCT WEIGHT: 3.8 kg (8.4 lbs)

PACKAGED WEIGHT: 4.3 kg / 9.48 lbs

SAFE WORKING LOAD: 30 kg (66.14 lbs)

CONSTRUCTION MATERIAL: Steel

COLOUR: Black

VESA SIZES:

400 x 400 mm / 15.7" x 15.7"

400 x 300 mm / 15.7" x 11.8"

400 x 200 mm / 15.7" x 7.9"

300 x 300 mm / 11.8" x 11.8"

200 x 400 mm / 7.9" x 15.7"

200 x 200 mm / 7.9" x 7.9"

ACCESSORIES INCLUDED:

4 x M4 12 mm screw

4 x M4 25 mm screw

4 x M5 12 mm screw

4 x M5 25 mm screw

4 x M6 12 mm screw

4 x M6 25 mm screw

4 x M8 16 mm screw

WARRANTY: Lifetime return-to-base
2 years onsite (UK only)

COMPLIANCES: N/A

ORDER PART CODE: VFM-WA4X4 [SAP: 3951883]



VFM-WA6X4

Flat-Panel Wall Arm 600x400

- Double-articulated wall mount for flat panels up to 70"
- Wide wall plate for secure fixing
- Reaches up to 435 mm (17.1")



Details

Vision's Vision Flat-Panel Mount - Wall range is tough and flexible. The VFM-WA6X4 (wall arm) fits any flat-panel LCD or LED screen which has rear mounting holes up to 600 x 400 mm apart.

Up to 70"

Most 50-70" displays use VESA arrangement of mounting points up to 600 x 400 mm apart, so the WA6X4 fits the majority of displays up to this size. Note: if a larger display has the correct mounting points and weighs less than the SWL this mount can support it safely.

Safe Working Load

The double-arm design makes this mount especially strong with a "safe working load" of 40 kg (88.2 lb).

Wide Wall Plate

A 460 mm (18.1") wide plate allows installers to fix the flat panel in place with multiple fixing points, spanning two studs.

Tilt and Swivel

-8-12° tilt, 5° rotation, and 90° swivel. Use this mount to fix a display in a corner up high in a waiting room. Or fix displays around an office or in meeting rooms.

VESA

The VESA system defines how far apart the mounting holes are on the back of your flat-panel. Holes 600 x 400 mm apart are known as VESA 600x400 and will suit this mount.

[Quick Manual](#)

Specifications

PRODUCT DIMENSIONS: see image

PACKAGED DIMENSIONS: 735 x 248 x 80 mm / 28.94" x 9.76" x 3.15" (length x width x height)

PRODUCT WEIGHT: 7.3 kg (16.1 lbs)

PACKAGED WEIGHT: 6.23 kg / 13.73 lbs

SAFE WORKING LOAD: 40 kg (88.18 lbs)

CONSTRUCTION MATERIAL: Steel

COLOUR: Black

VESA SIZES:

600 x 400 mm / 23.6" x 15.7"

500 x 500 mm / 19.7" x 19.7"

400 x 400 mm / 15.7" x 15.7"

400 x 300 mm / 15.7" x 11.8"

400 x 200 mm / 15.7" x 7.9"

300 x 300 mm / 11.8" x 11.8"

200 x 400 mm / 7.9" x 15.7"

200 x 200 mm / 7.9" x 7.9"

ACCESSORIES INCLUDED:

4 x M4 25 mm screw

4 x M5 25 mm screw

4 x M6 25 mm screw

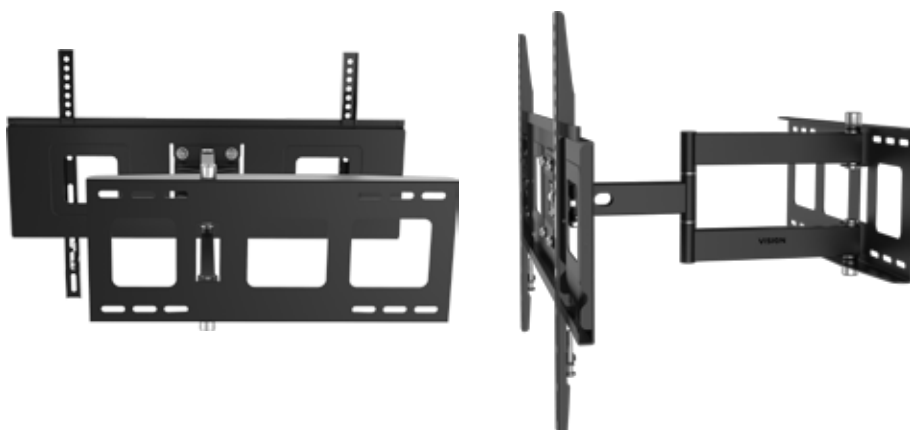
4 x M8 25 mm screw

WARRANTY: Lifetime return-to-base

2 years onsite (UK only)

COMPLIANCES: N/A

ORDER PART CODE: VFM-WA6X4 [SAP: 3951884]



VFM-WS

Wall Arm Shelf



- Double-articulated wall mounted shelf for laptops and keyboards
- Cable Management and adjustable dampers
- Premium Aluminium construction

Details

Vision's Vision Flat-Panel Mount - Wall range is tough and flexible. The VFM-WS (Wall arm shelf) has a generous 500 mm wide x 330 mm (19.7" x 13") deep shelf for keyboards, laptops, or tablets such as Microsoft's Surface.

Sit Stand

The shelf is designed to be steady enough to type on. The maximum height from the wall anchor to the shelf is 550 mm (21.7").

SWL 7 kg

The VFM-WS can support monitors up to 7 kg (15.4 lb).

Stable

To allow for different loads the dampers can be tightened or loosened to make sure the shelf stays where it is when you let go of it.

Cable Management

Clip on covers allow tidy cable routing.

Freedom of Movement

Extensive swivel and height adjustment puts the laptop or tablet right where you need it.

[Quick Manual](#)

Specifications

PRODUCT DIMENSIONS: see image

PACKAGED DIMENSIONS: 527 x 342 x 132 mm / 20.75" x 13.46" x 5.20" (length x width x height)

PRODUCT WEIGHT: 6.2 kg (13.7 lbs)

PACKAGED WEIGHT: 7.2 kg / 15.87 lbs

SAFE WORKING LOAD: 7kg (15.43 lbs)

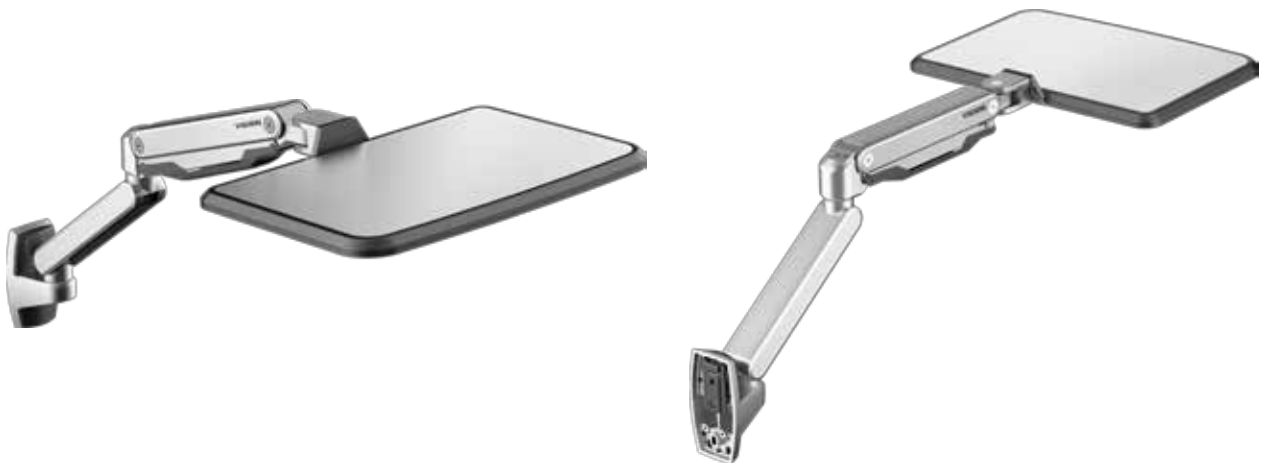
CONSTRUCTION MATERIAL: Aluminium

COLOUR: Silver

WARRANTY: Lifetime return-to-base
2 years onsite (UK only)

COMPLIANCES: N/A

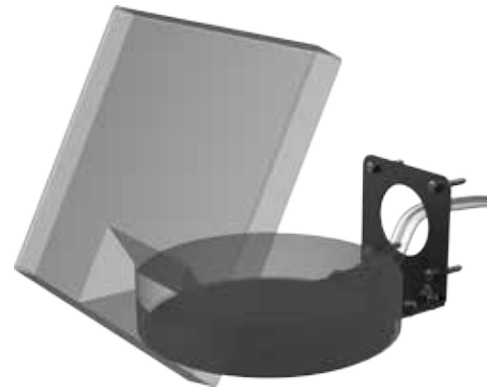
ORDER PART CODE: VFM-WS [SAP: 3951885]



TM-SD

Logitech Smartdock Wall Bracket

- Wall Bracket with Cable Management
- Supports touchscreen at native 60° angle, or vertical
- Can fix to VESA desk or wall mount



Details

This Techmount is designed exclusively for LOGITECH Smartdock.

Secure

The Smartdock fixes to the shelf with screws on the underside out of sight, and cannot be removed.

Two Shelf Angles

Two wall bracket parts are included. One supports the shelf horizontally, presenting the Smartdock's touch screen at the normal 60°. The other wall bracket presents the touch screen vertically.

VESA Fixing

The TM-SD has 75 x 75mm holes on the wall plate, so it can be fixed directly to a wall, or fixed to an articulated wall or desk mount.

[Cad](#)
[Manual](#)

Specifications

PACKAGE DIMENSIONS: x x mm (" x " x ")

PACKAGED WEIGHT: kg / lbs

NET WEIGHT: kg / lbs

SAFE WORKING LOAD: 5kg / 11 lbs

COLOUR: Black

MATERIAL
Steel - Painted

ACCESSORIES INCLUDED:

10 x M6 8mm (0.3") screws

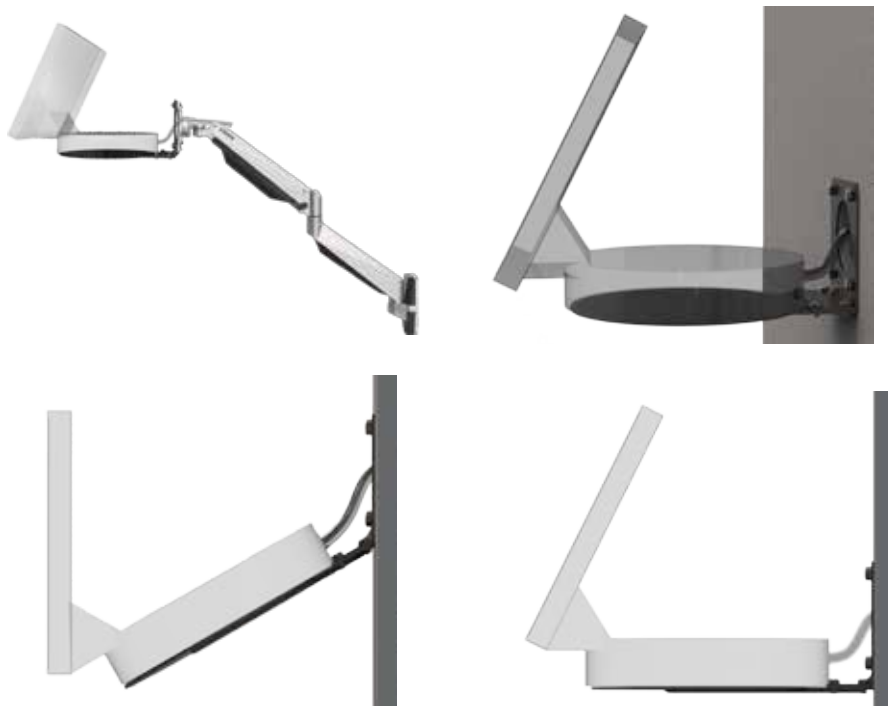
4 x M6 38mm (1.6") screws

WARRANTY: Lifetime return-to-base

2 years onsite (UK only)

COMPLIANCES: n/a

ORDER PART CODE: TM-SD [SAP: 4204944]



VMP-6I3SYK

i3 4K VMP [1XMINIDP/1XHDMI]

- **Processor:** Intel® i3-6100U
- **Graphics:** 1 x Mini-DP / 1 x HDMI
- **USB:** 4 x 3.0 (yellow port also supports high speed charging)
- **Ethernet:** 1 x port
- **RAM Memory:** 2-32GB
- **SSD Hard Drive:** 30-240GB (M.2 type)
- **Audio:** Headphone Jack and HDMI
- **Bluetooth/Wifi adaptor:** AC 8260
- **VESA Wall Mount:** included
- **Chassis Dimensions:** 115 x 111 x 32 mm (4.53" x 4.37" x 1.26")

Details

This 6th Generation VMP eats 4K content for breakfast! It can even output a 4K signal at 60 Hz which means it can support 3D! Whether it is used for commercial digital signage, or cinema, this device is packed with power for driving high resolution displays. It has loads of USB ports and a handy SD card slot on the side.

Choose from Microsoft or Linux operating systems and run any programs you choose, including processor-intensive applications. Because it uses operating systems you are familiar with you can adjust preferences and set the device up for the task at hand. This is not just a media player – it is a full powered computer which can be used in any computing application, running any software.

By using the latest M.2 slots for the SSD card the chassis height is just 32 mm (1.26"). It is equipped with four USB 3.0 ports, one of which is optimised for fast-charging devices such as mobile phones and tablets.

Options

One CE certificate for the motherboard, and one CE certificate for the SSD does not equal CE certification for the overall product. All VMPs have been fully safety tested and carry CE certification in the fully assembled form.

Vision Media Players are fully configurable and are available with operating systems and digital signage software pre-loaded and tested.

Windows®

Choose from any Windows or Linux operating systems, or simply order it with none if you'd prefer to load your own image.

Memory

Vision only use high quality DDR4 components from premium brands. Choose from 2GB, 4GB, 8GB, 16GB, and 32GB.

SSD

This Vision Media Player has an M.2 slot to accept the latest and smallest solid-state hard drives (SSD). Choose from 30GB up to 240GB.

Signagelive

Vision's offers one of the most popular digital signage software solutions pre-loaded. Signagelive can be installed so that when turned on the device goes straight into player mode.

Wifi and Bluetooth

An Intel® AC 8260 wireless adaptor card is built in. It is dual band and supports 802.11ac, Bluetooth 4.1, and Intel's Wireless Display (WiDi).



Specifications

PROCESSOR:

Intel® 6th Generation Core i3-6100U (3M Cache, 2.3 GHz Dual Core, 15W TDP)

PERIPHERAL CONNECTIVITY:

Integrated Gigabit LAN Network Connection
Rear Panel: 2 x Super-Speed USB 3.0
Front Panel: 2 x Super-Speed USB 3.0 (1 x charging capable)

EXPANSION CAPABILITIES:

1 x internal NFC header
1 x internal aux power header

SYSTEM BIOS:

Intel® Visual Bios
64 Mb Flash EEPROM with Intel® Platform Innovation Framework for EFI Plug and Play
Advanced configuration and power interface V3.0b, SMBIOS2.5
Intel® Express BIOS update support

MEMORY:

Two DDR4 SO-DIMM slot for memory expandability up to 32 GB in dual channel configuration
Memory Voltage 1.2 V, 2133 MHz

GRAPHICS:

Intel® HD 520
1 x HDMI 1.4b
1 x Mini DisplayPort 1.2 (supports multi display functionality)
Intel® Wireless Display "WiDi"

STORAGE:

Support for M.2 key type M 22x42 / 22x80mm (0.87" x 1.65" / 0.87" x 3.15") SSD
SDXC Slot with UHS-I support on side

HARDWARE MANAGEMENT FEATURES:

Processor fan speed control
Voltage and temperature sensing
Fan sensor inputs used to monitor fan activity
ACPI-compliant power management control

NETWORK CONNECTION:

INTEL® PRO 10/100/1000 Gigabit Ethernet

WIRELESS:

Intel® Wireless-AC 8260 (IEEE 802.11ac, Dual Band, Dual Mode Bluetooth 4.1, 1x1, up to 867 Mbps)

AUDIO:

Intel® High Definition Audio via HDMI and DisplayPort outputs supporting 8 channel (7.1) digital audio
3.5mm (1/8") analog audio jack, supporting headset, speakers, headphones, or microphone

INDICATORS:

HDD LED, Power LED

CONTROLS:

Power on/off, reset

MECHANICAL:

Chassis Size: 115 x 111 x 34.5 mm (4.53" x 4.37" x 1.36")
Kensington Lock slot on side
Infrared Sensor on front

POWER SUPPLY:

100-240v 50/60Hz AC External Power Supply – 19 volt / 65w with multi-country adaptor

ENVIRONMENT:

Operating Temperature: 0°C to +40°C
Storage Temperature: -20°C to +60°C

ACCESSORIES:

VESA mount (attaches VMP to rear of flat-panel)

INTEL COMPLIANCE WITH REGULATIONS AND STANDARDS:

Safety Regulations: CAN/CSA-C22.2/IEC/UL/EN 60950-1
EMC Class B Regulations: CISPR 22 / FCC 47 CFR Part 15, Subparts A, B / ICES-003 / EN 55022 / EN 55024 / ETSI EN 300 328 / ETSI EN 300 440-1 / ETSI EN 300 440-2 / ETSI EN 301 489-1 / ETSI EN 301 489-17 / ETSI EN 301 893 / EN 62311 / AS-NZS 2772.2 / AS-NZS 4268 / VCCI V-3 / VCCI V-4 / KN-22 / KN-24 / CNS 13438

INTEL ENVIRONMENTAL COMPLIANCE: RoHS

WARRANTY: Lifetime return-to-base
2 years onsite (UK only)

ORDER PART CODE: VMP-6I3SYK...

DisplayPort Multi-Streaming (daisy-chaining)	First Display	Second Display	Third Display
2 Displays	2560 x 1600 @ 60 Hz	2560 x 1600 @ 60 Hz	
3 Displays	1920 x 1200 @ 60 Hz (If using hub only 1920 x 1080)	1920 x 1080 @ 60 Hz	1920 x 1080 @ 60 Hz
Display Resolutions	Maximum Resolutions		
HDMI only	1920 x 1200 @ 60 Hz Or 4096 x 2304 @ 24 Hz		
DP only	3840 x 2160 @ 60 Hz		
HDMI and DP	HDMI 1920 x 1200 @ 60 Hz DP 3840 x 2160 @ 60 Hz Or HDMI 3840 x 2160 @ 30 Hz DP 3840 x 2160 @ 30 Hz		

Note: 3d is only possible at resolutions where refresh rate is 60Hz



VMP-6I5SYK

i5 4K VMP [1XMINIDP/1XHDMI]

- **Processor:** Intel® i5-6260U
- **Graphics:** 1 x Mini-DP / 1 x HDMI
- **USB:** 4 x 3.0 (yellow port also supports high speed charging)
- **Ethernet:** 1 x port
- **RAM Memory:** 2-32GB
- **SSD Hard Drive:** 30-240GB (M.2 type)
- **Audio:** Headphone Jack and HDMI
- **Bluetooth/Wifi adaptor:** AC 8260
- **VESA Wall Mount:** included
- **Chassis Dimensions:** 115 x 111 x 32 mm (4.53" x 4.37" x 1.26")

Details

This 6th Generation VMP uses Turbo Boost technology to accelerate the processor and graphics performance for peak loads. With Intel's Iris Graphics 540 chipset it can push out 3D 4K signals. Or it can send 4K content to two monitors with different content on each. Or it can send HD content to three monitors with different content on each.

This media player uses Intel's Wireless AC 8260 card – Intel's fastest wireless. Connect right out of the box and connect to your wireless peripherals with Bluetooth 4.1. It has an IR sensor and an SD card slot on the side. And for professional applications a Kensington slot for security.

The scalable format offers four USB 3.0 ports one of which is optimised for charging mobile phones or tablets quickly. Inside the VMP uses the more compact M.2 format for the SSD card reducing the chassis height to just 32 mm (1.26").

Vision can pre-load Microsoft or Linux operating systems for you so you can run any programs you choose. The VMP isn't just for digital signage; it is a full-powered PC which can be used wherever a PC is currently used.

Options

Vision Media Players are fully configurable and are available with operating systems and digital signage software pre-loaded and tested.

Windows®

Choose from any Windows or Linux operating systems, or simply order it with none if you'd prefer to load your own image.

Memory

Vision only use high quality DDR4 components from premium brands. Choose from 2GB, 4GB, 8GB, 16GB, and 32GB.

SSD

This Vision Media Player has an M.2 slot to accept the latest and smallest solid-state hard drives (SSD). Choose from 30GB up to 240GB.

Signagelive

Vision's offers one of the most popular digital signage software solutions pre-loaded. Signagelive can be installed so that when turned on the device goes straight into player mode.

Wifi and Bluetooth

An Intel® AC 8260 wireless adaptor card is built in. It is dual band and supports 802.11ac, Bluetooth 4.1, and Intel's Wireless Display (WiDi).



Specifications

PROCESSOR:

Intel® 6th Generation Core i3-6100U
(3M Cache, 2.3 GHz Dual Core, 15W TDP)

PERIPHERAL CONNECTIVITY:

Integrated Gigabit LAN Network Connection
Rear Panel: 2 x Super-Speed USB 3.0
Front Panel: 2 x Super-Speed USB 3.0 (1 x charging capable)

EXPANSION CAPABILITIES:

1 x internal NFC header
1 x internal aux power header

SYSTEM BIOS:

Intel® Visual Bios
64 Mb Flash EEPROM with Intel® Platform Innovation Framework for EFI Plug and Play
Advanced configuration and power interface V3.0b, SMBIOS2.5
Intel® Express BIOS update support

MEMORY:

Two DDR4 SO-DIMM slot for memory expandability up to 32 GB in dual channel configuration
Memory Voltage 1.2 V, 2133 MHz

GRAPHICS:

Intel® Iris Graphics 540
1 x HDMI 1.4b
1 x Mini DisplayPort 1.2 (supports multi display functionality)
Intel® Wireless Display "WiDi"

STORAGE:

Support for M.2 key type M 22x42 / 22x80mm (0.87" x 1.65" / 0.87" x 3.15") SSD
SDXC Slot with UHS-I support on side

HARDWARE MANAGEMENT FEATURES:

Processor fan speed control
Voltage and temperature sensing
Fan sensor inputs used to monitor fan activity
ACPI-compliant power management control

NETWORK CONNECTION:

INTEL® PRO 10/100/1000 Gigabit Ethernet

WIRELESS:

Intel® Wireless-AC 8260 (IEEE 802.11ac, Dual Band, Dual Mode Bluetooth 4.1, 1x1, up to 867 Mbps)

AUDIO:

Intel® High Definition Audio via HDMI and DisplayPort outputs supporting 8 channel (7.1) digital audio
3.5mm (1/8") analog audio jack, supporting headset, speakers, headphones, or microphone

INDICATORS:

HDD LED, Power LED

CONTROLS:

Power on/off, reset

MECHANICAL:

Chassis Size: 115 x 111 x 34.5 mm (4.53" x 4.37" x 1.36")
Kensington Lock slot on side
Infrared Sensor on front

POWER SUPPLY:

100-240v 50/60Hz AC External Power Supply – 19 volt / 65w with multi-country adaptor

ENVIRONMENT:

Operating Temperature: 0°C to +40°C
Storage Temperature: -20°C to +60°C

ACCESSORIES:

VESA mount (attaches VMP to rear of flat-panel)

INTEL COMPLIANCE WITH REGULATIONS AND STANDARDS:

Safety Regulations: CAN/CSA-C22.2/IEC/UL/EN 60950-1
EMC Class B Regulations: CISPR 22 / FCC 47 CFR Part 15, Subparts A, B / ICES-003 / EN 55022 / EN 55024 / ETSI EN 300 328 / ETSI EN 300 440-1 / ETSI EN 300 440-2 / ETSI EN 301 489-1 / ETSI EN 301 489-17 / ETSI EN 301 893 / EN 62311 / AS-NZS 2772.2 / AS-NZS 4268 / VCCI V-3 / VCCI V-4 / KN-22 / KN-24 / CNS 13438

INTEL ENVIRONMENTAL COMPLIANCE: RoHS

WARRANTY: Lifetime return-to-base
2 years onsite (UK only)

ORDER PART CODE: VMP-6I5SYK...

DisplayPort Multi-Streaming (daisy-chaining)	First Display	Second Display	Third Display
2 Displays	2560 x 1600 @ 60 Hz	2560 x 1600 @ 60 Hz	
3 Displays	1920 x 1200 @ 60 Hz (If using hub only 1920 x 1080)	1920 x 1080 @ 60 Hz	1920 x 1080 @ 60 Hz
Display Resolutions	Maximum Resolutions		
HDMI only	1920 x 1200 @ 60 Hz Or 4096 x 2304 @ 24 Hz		
DP only	3840 x 2160 @ 60 Hz		
HDMI and DP	HDMI 1920 x 1200 @ 60 Hz DP 3840 x 2160 @ 60 Hz Or HDMI 3840 x 2160 @ 30 Hz DP 3840 x 2160 @ 30 Hz		

Note: 3d is only possible at resolutions where refresh rate is 60Hz



VMP-5I3HYBE

i3 4K VMP [2xMiniDP]

- **Processor:** Intel® i3-5010U
- **Graphics:** 2 x Mini-DP
- **USB:** 4 x 3.0
- **Ethernet:** 1 x port
- **RAM Memory:** 2-16GB
- **SSD Hard Drive:** 30-240GB (M.2 type) or 30-480GB (2.5" type)
- **Audio:** Headphone Jack and DisplayPort
- **Bluetooth/Wifi adaptor:** optional
- **VESA Wall Mount:** included
- **Chassis Dimensions:** 115 x 111 x 49 mm (4.53" x 4.37" x 1.9")

Details

Engineered for digital signage, touch-kiosk, or PC replacement roles, this VMP is based around a 5th Generation i3 processor which provides an ideal combination of performance and reliability for usages where downtime isn't an option.

It can output different 3D 4K content from each of the two Mini-DisplayPorts at the same time. Or it can output three different streams of 3D HD content to three displays at the same time. To support this the processor uses Turbo Boost 2.0 Technology which adapts to the workload to provide greater processing power when you need it automatically.

A VESA mount is included which fits the VMP to the back of a LCD flat panel out of the way. For integrators there is an internal header serial port option to connect legacy embedded devices so that you can customize the VMP for a wide-range of usages, including point of sale systems. The larger chassis can accommodate 2.5" Hard Drives where cost and reliability is important.

Options

Vision Media Players are fully configurable and are available with operating systems and digital signage software pre-loaded and tested.

Windows®

Choose from any Windows or Linux operating systems, or simply order it with none if you'd prefer to load your own image.

Memory

Vision only use high quality components from premium brands. Choose from 2GB, 4GB, 8GB, and 16GB.

SSD

This Vision Media Player has an M.2 slot to accept the latest, fastest, and smallest solid-state hard drives (SSD). Choose from 30GB up to 240GB. Or select a 2.5" drive from 30Gb to 480GB.

Signagelive

Vision's offers one of the most popular digital signage software solutions pre-loaded. Signagelive can be installed so that when turned on the device goes straight into player mode.

Wifi and Bluetooth

An optional M.2 Intel® AC 7265 wireless adaptor is dual band and supports 802.11ac, Bluetooth 4.0, and Intel's Wireless Display (WiDi).



Specifications

PROCESSOR:

Intel® 5th Generation Maple Canyon Core i3-5010U (3M Cache, 2.1 GHz Dual Core, 15W TDP)
Supports Intel® 64 architecture, Supports Intel® Virtualization Technology (VT-x),

PERIPHERAL CONNECTIVITY:

Integrated Intel® Gigabit LAN Connection
Rear Panel: 2 x Super-Speed USB 3.0
Front Panel: 2 x Super-Speed USB 3.0

EXPANSION CAPABILITIES:

1 x Internal NFC header
1 x Internal serial header
1 x Internal DC power header (12-24v)
1 x M.2 type E connector for wireless card

SYSTEM BIOS:

Intel® Visual Bios
64 Mb Flash EEPROM with Intel® Platform Innovation Framework for EFI Plug and Play
Advanced configuration and power interface V3.0b, SMBIOS2.5
Intel® Express BIOS update support
Optimized POST for almost instant-on access to PC from power on

MEMORY:

Two DDR3L SO-DIMM slot for memory expandability up to 16 GB in dual channel configuration
Memory Voltage 1.35 V, 1333/1600 MHz

GRAPHICS:

Intel® HD 5500
2 x Mini DisplayPort 1.2 (supports multi display functionality)
Intel® Wireless Display "WiDi"

STORAGE:

1 x M.2 type B connector 22x42 / 22x80mm (0.87" x 1.65" / 0.87" x 3.15") SATA or PCIe SSD
1 x SATA 6Gbps port for connection to 2.5" HDD or SSD (up to 9.5mm / 0.37" thick)
Trusted Platform Module TPM 2.0

HARDWARE MANAGEMENT FEATURES:

Voltage and temperature sensing
Fan sensor inputs used to monitor fan activity
ACPI-compliant power management control
Optimized POST for almost instant-on access to PC from power on

AUDIO:

Intel® High Definition Audio via DisplayPort outputs supporting 8 channel (7.1) digital audio
3.5mm (1/8") analog audio jack, supporting headset, speakers, headphones, or microphone

INDICATORS:

HDD LED, Power LED

CONTROLS:

Power on/off, reset

MECHANICAL:

Chassis Size: 115 x 111 x 49 mm (4.53" x 4.37" x 1.9")

POWER SUPPLY:

100-240v 50/60Hz AC External Power Supply
- 19 volt / 65w with multi-country IEC adaptor

ENVIRONMENT:

Operating Temperature: 0°C to +50°C
Storage Temperature: -20°C to +70°C

ACCESSORIES:

VESA mount (attaches VMP to rear of flat-panel)

INTEL COMPLIANCE WITH REGULATIONS AND STANDARDS:

Safety Regulations: CAN/CSA-C22.2/IEC/UL/EN: EN 60950-1
EMC Class B Regulations: CISPR 22 / FCC 47 CFR Part 15, Subparts A, B / ICES-003 / EN 55022 / EN 55024 / VCCI V-3 / VCCI V-4 / KN-22 / KN-24 / CNS 13438

INTEL ENVIRONMENTAL COMPLIANCE: RoHS

WARRANTY: Lifetime return-to-base
2 years onsite (UK only)

ORDER PART CODE: VMP-5I3HYBE...

DisplayPort Multi-Streaming (daisy-chaining)	First Display	Second Display	Third Display
2 Displays	2560 x 1600 @ 60 Hz	2560 x 1600 @ 60 Hz	
3 Displays	1920 x 1200 @ 60 Hz	1920 x 1080 @ 60 Hz	1920 x 1080 @ 60 Hz
Display Resolutions from video ports	Maximum Resolutions		
Display 1	3840 x 2160 @ 60 Hz		
Display 2	3840 x 2160 @ 60 Hz		

Note: 3d is only possible at resolutions where refresh rate is 60Hz

VMP-5I3RYK

i3 4K VMP [1xMiniDP/1xMiniHDMI]

- **Processor:** Intel® i3-5010U
- **Graphics:** 1 x Mini-DP / 1 x Mini-HDMI
- **USB:** 4 x 3.0 (yellow port also supports high speed charging)
- **Ethernet:** 1 x port
- **RAM Memory:** 2-16GB
- **SSD Hard Drive:** 30-240GB (M.2 type)
- **Audio:** Headphone Jack and HDMI
- **Bluetooth/Wifi adaptor:** AC 7265 (M.2 type) soldered down
- **VESA Wall Mount:** included
- **Chassis Dimensions:** 115 x 111 x 34.5 mm (4.53" x 4.37" x 1.36")

Details

This 5th Generation VMP is not only capable of feeding 4K content to a display, but it can output a 4K signal at 60 Hz! In other words this media player can output a vibrant 4K image in 3D! Whether it is used for commercial digital signage, or cinema, this device is packed with power for driving high resolution displays.

Choose from Microsoft or Linux operating systems and run any programs you choose, including processor-intensive applications. Because it uses operating systems you are familiar with you can adjust preferences and set the device up for the task at hand. This is not just a media player - it is a full powered computer which can be used in any computing application, running any software.

By using the latest M.2 slots for the wifi and SSD cards the chassis height is just 34.5mm (1.36"). It is equipped with four USB 3.0 ports, one of which is optimised for fast-charging devices such as mobile phones and tablets.

One CE certificate for the motherboard, and one CE certificate for the SSD does not equal CE certification for the overall product. All VMPs have been fully safety tested and carry CE certification in the fully assembled form.

Options

Vision Media Players are fully configurable and are available with operating systems and digital signage software pre-loaded and tested.

Windows®

Choose from any Windows or Linux operating systems, or simply order it with none if you'd prefer to load your own image.

Memory

Vision only use high quality components from premium brands. Choose from 2GB, 4GB, 8GB, and 16GB.

SSD

This Vision Media Player has an M.2 slot to accept the latest and smallest solid-state hard drives (SSD). Choose from 30GB up to 240GB.

Signagelive

Vision's offers one of the most popular digital signage software solutions pre-loaded. Signagelive can be installed so that when turned on the device goes straight into player mode.

Wifi and Bluetooth

An M.2 Intel® AC 7265 wireless adaptor card is pre-soldered to the motherboard. It is dual band and supports 802.11ac, Bluetooth 4.0, and Intel's Wireless Display (WiDi).



Specifications

PROCESSOR:

Intel® 5th Generation Rock Canyon Core i3-5010U (3M Cache, 2.1 GHz Dual Core, 15W TDP)
Supports Intel® 64 architecture, Supports Intel® Hyper-Threading Technology

PERIPHERAL CONNECTIVITY:

Integrated Intel® 10/100/1000 Network Connection
Rear Panel: 2 x Super-Speed USB 3.0
Front Panel: 2 x Super-Speed USB 3.0 (1 x charging capable)

EXPANSION CAPABILITIES:

1 x internal NFC header
1 x internal aux power header

SYSTEM BIOS:

Intel® Visual Bios
64 Mb Flash EEPROM with Intel® Platform Innovation Framework for EFI Plug and Play
Advanced configuration and power interface V3.0b, SMBIOS2.5
Intel® Express BIOS update support
Intel® Rapid Start Technology
Intel® Ready Mode Technology

MEMORY:

Two DDR3L SO-DIMM slot for memory expandability up to 16 GB in dual channel configuration
Memory Voltage 1.35 V, 1333/1600 MHz

GRAPHICS:

Intel® HD 5500
1 x Mini HDMI 1.4a
1 x Mini DisplayPort 1.2 (supports multi display functionality)
Intel® Wireless Display "WiDi"

STORAGE:

Support for M.2 key type M 22x42 / 22x60 / 22x80mm (0.87" x 1.65" / 0.87" x 2.36" / 0.87" x 3.15") SATA or PCIe SSD

HARDWARE MANAGEMENT FEATURES:

Processor fan speed control
Voltage and temperature sensing
Fan sensor inputs used to monitor fan activity
ACPI-compliant power management control
Low-acoustics active cooling design

NETWORK CONNECTION:

INTEL® PRO 10/100/1000 Low-power design

WIRELESS:

Intel® Wireless-AC 7265 M.2 soldered-down, wireless antennas (IEEE 802.11ac, Dual Band, Bluetooth 4.0, 2x2, up to 867 Mbps)

AUDIO:

Intel® High Definition Audio via HDMI and DisplayPort outputs supporting 8 channel (7.1) digital audio
3.5mm (1/8") analog audio jack, supporting headset, speakers, headphones, or microphone

INDICATORS:

HDD LED, Power LED
CONTROLS:
Power on/off, reset

MECHANICAL:

Chassis Size: 115 x 111 x 34.5 mm (4.53" x 4.37" x 1.36")

POWER SUPPLY:

100-240v 50/60Hz AC External Power Supply – 19 volt / 65w with multi-country IEC adaptor

ENVIRONMENT:

Operating Temperature: 0°C to +50°C
Storage Temperature: -20°C to +70°C

ACCESSORIES:

VESA mount (attaches VMP to rear of flat-panel)

INTEL COMPLIANCE WITH REGULATIONS AND STANDARDS:

Safety Regulations: CAN/CSA-C22.2/IEC/UL/EN: EN 60950-1
EMC Class B Regulations: CISPR 22 / FCC 47 CFR Part 15, Subparts A, B / ICES-003 / EN 55022 / EN 55024 / VCCI V-3 / VCCI V-4 / KN-22 / KN-24 / CNS 13438

INTEL ENVIRONMENTAL COMPLIANCE: RoHS

WARRANTY: Lifetime return-to-base
2 years onsite (UK only)

ORDER PART CODE: VMP-5I3RYK...

DisplayPort Multi-Streaming (daisy-chaining)	First Display	Second Display	Third Display
2 Displays	2560 x 1600 @ 60 Hz	2560 x 1600 @ 60 Hz	
3 Displays	1920 x 1200 @ 60 Hz	1920 x 1080 @ 60 Hz	1920 x 1080 @ 60 Hz
Display Resolutions	Maximum Resolutions		
HDMI only	1920 x 1200 @ 60 Hz Or 4096 x 2304 @ 24 Hz		
DP only	3840 x 2160 @ 60 Hz		
HDMI and DP	HDMI 1920 x 1200 @ 60 Hz DP 3840 x 2160 @ 60 Hz Or HDMI 3840 x 2160 @ 30 Hz DP 3840 x 2160 @ 30 Hz		

Note: 3d is only possible at resolutions where refresh rate is 60Hz



VMP-5I5MYHE

i5 4K vPro VMP [2xMiniDP]

- **Processor:** Intel® i5-5300U vPro
- **Graphics:** 2 x Mini-DP
- **USB:** 4 x 3.0
- **Ethernet:** 1 x port
- **RAM Memory:** 2-16GB
- **SSD Hard Drive:** 30-240GB (M.2 type) or 30-480GB (2.5" type)
- **Audio:** Headphone Jack and DisplayPort
- **Bluetooth/Wifi adaptor:** optional
- **VESA Wall Mount:** included
- **Chassis Dimensions:** 115 x 111 x 49 mm (4.53" x 4.37" x 1.9")

Details

With 4K display support this Media Player is ideal for digital signage with video analytics, digital kiosk, intelligent vending, or PC replacement.

Intel® vPro™ technology helps you manage and mitigate repairs remotely, reducing the time it takes to resolve hardware problems by 66% and software problems by 88% giving digital signage, intelligent vending, and embedded customers the reliability and availability they require. The advanced performance of the processor supports video analytics to help target and personalize messages and offers to the right audience. And the triple display capability means you can deliver messages across multiple screens.

This VMP also includes Intel® Turbo Boost Technology for performance that adapts to different tasks, along with improved energy efficiency.

The larger chassis can accommodate 2.5" Hard Drives where cost and reliability is important. For integrators there is an internal header serial port option to connect legacy embedded devices so you can customize the VMP for a wide-range of usages, including point of sale systems. A panel on the rear is for the RS-232 socket (requires 3rd party serial cable). And internal header is also available for NFC.

Options

Vision Media Players are fully configurable and are available with operating systems and digital signage software pre-loaded and tested.

Windows®

Choose from any Windows or Linux operating systems, or simply order it with none if you'd prefer to load your own image.

Memory

Vision only use high quality components from premium brands. Choose from 2GB, 4GB, 8GB, and 16GB.

SSD

This Vision Media Player has an M.2 slot to accept the latest, fastest, and smallest solid-state hard drives (SSD). Choose from 30GB up to 240GB. Or select a 2.5" drive from 30Gb to 480GB.

Signagelive

Vision's offers one of the most popular digital signage software solutions pre-loaded. Signagelive can be installed so that when turned on the device goes straight into player mode.

Wifi and Bluetooth

An optional M.2 Intel® AC 7265 wireless adaptor is dual band and supports 802.11ac, Bluetooth 4.0, and Intel's Wireless Display (WiDi).



Specifications

PROCESSOR:

Intel® 5th Generation Maple Canyon Core i5-5300U vPro (3M Cache, 2.3-2.9 GHz Turbo Dual Core, 15W TDP)
Supports Intel® 64 architecture, Supports Intel® Virtualization Technology (VT-x),

PERIPHERAL CONNECTIVITY:

Integrated Intel® Gigabit LAN Connection
Rear Panel: 2 x Super-Speed USB 3.0
Front Panel: 2 x Super-Speed USB 3.0

EXPANSION CAPABILITIES:

1 x Internal NFC header
1 x Internal serial header
1 x Internal DC power header (12-24v)
1 x M.2 type E connector for wireless card

SYSTEM BIOS:

Intel® Visual Bios
64 Mb Flash EEPROM with Intel® Platform Innovation Framework for EFI Plug and Play
Advanced configuration and power interface V3.0b, SMBIOS2.5
Intel® Express BIOS update support
Optimized POST for almost instant-on access to PC from power on

MEMORY:

Two DDR3L SO-DIMM slot for memory expandability up to 16 GB in dual channel configuration
Memory Voltage 1.35 V, 1333/1600 MHz

GRAPHICS:

Intel® HD 5500
2 x Mini DisplayPort 1.2 (supports multi display functionality)
Intel® Wireless Display "WiDi"

STORAGE:

1 x M.2 type B connector 22x42 / 22x80mm (0.87" x 1.65" / 0.87" x 3.15") SATA or PCIe SSD
1 x SATA 6Gbps port for connection to 2.5" HDD or SSD (up to 9.5mm / 0.37" thick)
Trusted Platform Module TPM 2.0

HARDWARE MANAGEMENT FEATURES:

Intel®vPro Technology
Intel® AMT 10.0
Voltage and temperature sensing
Fan sensor inputs used to monitor fan activity
ACPI-compliant power management control
Built-in watchdog timer support

AUDIO:

Intel® High Definition Audio via DisplayPort outputs supporting 8 channel (7.1) digital audio
3.5mm (1/8") analog audio jack, supporting headset, speakers, headphones, or microphone

INDICATORS:

HDD LED, Power LED

CONTROLS:

Power on/off, reset

MECHANICAL:

Chassis Size: 115 x 111 x 49 mm (4.53" x 4.37" x 1.9")

POWER SUPPLY:

100-240v 50/60Hz AC External Power Supply – 19 volt / 65w with multi-country IEC adaptor

ENVIRONMENT:

Operating Temperature: 0°C to +50°C
Storage Temperature: -20°C to +70°C

ACCESSORIES:

VESA mount (attaches VMP to rear of flat-panel)

INTEL COMPLIANCE WITH REGULATIONS AND STANDARDS:

Safety Regulations: CAN/CSA-C22.2/IEC/UL/EN: EN 60950-1
EMC Class B Regulations: CISPR 22 / FCC 47 CFR Part 15, Subparts A, B / ICES-003 / EN 55022 / EN 55024 / VCCI V-3 / VCCI V-4 / KN-22 / KN-24 / CNS 13438

INTEL ENVIRONMENTAL COMPLIANCE: RoHS

WARRANTY: Lifetime return-to-base
2 years onsite (UK only)

ORDER PART CODE: VMP-5I5MYHE...

DisplayPort Multi-Streaming (daisy-chaining)	First Display	Second Display	Third Display
2 Displays	2560 x 1600 @ 60 Hz	2560 x 1600 @ 60 Hz	
3 Displays	1920 x 1200 @ 60 Hz	1920 x 1080 @ 60 Hz	1920 x 1080 @ 60 Hz
Display Resolutions from video ports	Maximum Resolutions		
Display 1	3840 x 2160 @ 60 Hz		
Display 2	3840 x 2160 @ 60 Hz		

Note: 3d is only possible at resolutions where refresh rate is 60Hz

VMP-5I5RYK

i5 4K VMP [1xMiniDP/1xMiniHDMI]

- **Processor:** Intel® i5-5250U
- **Graphics:** 1 x Mini-DP / 1 x Mini-HDMI
- **USB:** 4 x 3.0 (yellow port also supports high speed charging)
- **Ethernet:** 1 x port
- **RAM Memory:** 2-16GB
- **SSD Hard Drive:** 30-240GB (M.2 type)
- **Audio:** Headphone Jack and HDMI
- **Bluetooth/Wifi adaptor:** AC 7265 (M.2 type) soldered down
- **VESA Wall Mount:** included
- **Chassis Dimensions:** 115 x 111 x 34.5 mm (4.53" x 4.37" x 1.36")

Details

More power in an even smaller package, this 5th Generation VMP uses the absolute latest technology to push media players into the future. With Intel's HD Graphics 6000 chipset it can push out 3D 4K signals. Or it can send 4K content to two monitors with different content on each. Or it can send HD content to three monitors with different content on each.

Assisting this powerful graphics card the i5 processor has Intel Turbo Boost Technology 2.0 which allocates extra power on demand to maximize performance for processor-intensive tasks.

The scalable format offers four USB 3.0 ports one of which is optimised for charging mobile phones or tablets quickly. Inside the VMP uses the more compact M.2 format for wifi and SSD cards reducing the chassis height to just 34.5mm (1.36").

Vision can pre-load Microsoft or Linux operating systems for you so you can run any programs you choose. The VMP isn't just for digital signage; it is a full-powered PC which can be used wherever a PC is currently used.

Options

Vision Media Players are fully configurable and are available with operating systems and digital signage software pre-loaded and tested.

Windows®

Choose from any Windows or Linux operating systems, or simply order it with none if you'd prefer to load your own image.

Memory

Vision only use high quality components from premium brands. Choose from 2GB, 4GB, 8GB, and 16GB.

SSD

This Vision Media Player has an M.2 slot to accept the latest and smallest solid-state hard drives (SSD). Choose from 30GB up to 240GB.

Signagelive

Vision's offers one of the most popular digital signage software solutions pre-loaded. Signagelive can be installed so that when turned on the device goes straight into player mode.

Wifi and Bluetooth

An M.2 Intel® AC 7265 wireless adaptor card is pre-soldered to the motherboard. It is dual band and supports 802.11ac, Bluetooth 4.0, and Intel's Wireless Display (WiDi).



Specifications

PROCESSOR:

Intel® 5th Generation Rock Canyon Core i5-5250U (3M Cache, 1.6-2.7 GHz Turbo Boost 2.0 Dual Core, 15W TDP)
Supports Intel® 64 architecture, Supports Intel® Hyper-Threading Technology

PERIPHERAL CONNECTIVITY:

Integrated Intel® 10/100/1000 Network Connection
Rear Panel: 2 x Super-Speed USB 3.0
Front Panel: 2 x Super-Speed USB 3.0 (1 x charging capable)

EXPANSION CAPABILITIES:

1 x internal NFC header
1 x internal aux power header

SYSTEM BIOS:

Intel® Visual Bios
64 Mb Flash EEPROM with Intel® Platform Innovation Framework for EFI Plug and Play
Advanced configuration and power interface V3.0b, SMBIOS2.5
Intel® Express BIOS update support
Intel® Rapid Start Technology
Intel® Ready Mode Technology

MEMORY:

Two DDR3L SO-DIMM slot for memory expandability up to 16 GB in dual channel configuration
Memory Voltage 1.35 V, 1333/1600 MHz

GRAPHICS:

Intel® HD 6000
1 x Mini HDMI 1.4a
1 x Mini DisplayPort 1.2 (supports multi display functionality)
Intel® Wireless Display "WiDi"

STORAGE:

Support for M.2 key type M 22x42 / 22x60 / 22x80mm (0.87" x 1.65" / 0.87" x 2.36" / 0.87" x 3.15") SATA or PCIe SSD

HARDWARE MANAGEMENT FEATURES:

Processor fan speed control
Voltage and temperature sensing
Fan sensor inputs used to monitor fan activity
ACPI-compliant power management control
Low-acoustics active cooling design

NETWORK CONNECTION:

INTEL® PRO 10/100/1000 Low-power design

WIRELESS:

Intel® Wireless-AC 7265 M.2 soldered-down, wireless antennas (IEEE 802.11ac, Dual Band, Bluetooth 4.0, 2x2, up to 867 Mbps)

AUDIO:

Intel® High Definition Audio via HDMI and DisplayPort outputs supporting 8 channel (7.1) digital audio
3.5mm (1/8") analog audio jack, supporting headset, speakers, headphones, or microphone

INDICATORS:

HDD LED, Power LED

CONTROLS:

Power on/off, reset

MECHANICAL: Chassis Size: 115 x 111 x 34.5 mm (4.53" x 4.37" x 1.36")

POWER SUPPLY: 100-240v 50/60Hz AC External Power Supply – 19 volt / 65w with multi-country IEC adaptor

ENVIRONMENT:

Operating Temperature: 0°C to +50°C
Storage Temperature: -20°C to +70°C

ACCESSORIES:

VESA mount (attaches VMP to rear of flat-panel)

INTEL COMPLIANCE WITH REGULATIONS AND STANDARDS:

Safety Regulations: CAN/CSA-C22.2/IEC/UL/EN: EN 60950-1
EMC Class B Regulations: CISPR 22 / FCC 47 CFR Part 15, Subparts A, B / ICES-003 / EN 55022 / EN 55024 / VCCI V-3 / VCCI V-4 / KN-22 / KN-24 / CNS 13438

INTEL ENVIRONMENTAL COMPLIANCE: RoHS

WARRANTY: Lifetime return-to-base
2 years onsite (UK only)

ORDER PART CODE: VMP-5I5RYK...

DisplayPort Multi-Streaming (daisy-chaining)	First Display	Second Display	Third Display
2 Displays	2560 x 1600 @ 60 Hz	2560 x 1600 @ 60 Hz	
3 Displays	1920 x 1200 @ 60 Hz	1920 x 1080 @ 60 Hz	1920 x 1080 @ 60 Hz
Display Resolutions from video ports	Maximum Resolutions		
Display 1	3840 x 2160 @ 60 Hz		
Display 2	3840 x 2160 @ 60 Hz		

Note: 3d is only possible at resolutions where refresh rate is 60Hz

VMP-5I7RYH

i7 4K VMP [1xMiniDP/1xMiniHDMI]

- **Processor:** Intel® i7-5557U
- **Graphics:** 1 x Mini-DP / 1 x Mini-HDMI
- **USB:** 4 x 3.0 (yellow port also supports high speed charging)
- **Ethernet:** 1 x port
- **RAM Memory:** 2-16GB
- **SSD Hard Drive:** 30-240GB (M.2 type) or 30-480GB (2.5" type)
- **Audio:** Headphone Jack and HDMI
- **Bluetooth/Wifi adaptor:** AC 7265 (M.2 type) soldered down
- **VESA Wall Mount:** included
- **Chassis Dimensions:** 115 x 111 x 49 mm (4.53" x 4.37" x 1.92")

Details

A Mini PC with the power of a desktop tower, this 5th generation VMP packs the Intel® Core™ i7 processor with Intel® Iris™ graphics into 4 square inches. This fully scalable Vision media player is the most powerful yet and gives you premium performance and high resolution visuals you need to play, create, entertain, and transform.

Complete with WiFi 802.11ac, Bluetooth 4.0, and 7.1 surround sound, this computer performs equally well as a home theatre PC, media server, gaming machine, as it can eat demanding digital signage tasks for breakfast. Use mini-Display port, mini-HDMI, or Intel® WiDi to connect to a display.

The device has space for both a 2.5" HDD so you can store all your media AND an M.2 SSD drive so you can transfer data at lightning speeds.

There's also a high-speed USB 3.0 charging port that lets you easily charge your tablet or smartphone quickly even when the VMP is idle or off.

Vision can pre-install any Microsoft or Linux operating systems for you so you can run any application. The VMP isn't just for digital signage; it is a full-powered PC. With this kind of power, size, and versatility, you'll rethink what is possible.

Options

Vision Media Players are fully configurable and are available with operating systems and digital signage software pre-loaded and tested.

Windows®

Choose from any Windows or Linux operating systems, or simply order it with none if you'd prefer to load your own image.

Memory

Vision only use high quality components from premium brands. Choose from 2GB, 4GB, 8GB, and 16GB.

SSD

This Vision Media Player has an M.2 slot to accept the latest and smallest solid-state hard drives (SSD). Choose from 30GB up to 240GB. Or select a 2.5" drive from 30Gb to 480GB.

Signagelive

Vision's offers one of the most popular digital signage software solutions pre-loaded. Signagelive can be installed so that when turned on the device goes straight into player mode.

Wifi and Bluetooth

An M.2 Intel® AC 7265 wireless adaptor card is pre-soldered to the motherboard. It is dual band and supports 802.11ac, Bluetooth 4.0, and Intel's Wireless Display (WiDi).



Specifications

PROCESSOR:

Intel® 5th Generation Rock Canyon Core i7-5557U (4M Cache, 3.1-3.4 GHz Turbo Dual Core, 28W TDP)
Supports Intel® 64 architecture, Supports Intel® Hyper-Threading Technology

PERIPHERAL CONNECTIVITY:

Rear Panel: 2 x Super-Speed USB 3.0
Front Panel: 2 x Super-Speed USB 3.0 (1 x charging capable)

EXPANSION CAPABILITIES:

1 x internal NFC header
1 x internal aux power header

SYSTEM BIOS:

Intel® Visual Bios
64 Mb Flash EEPROM with Intel® Platform Innovation Framework for EFI Plug and Play
Advanced configuration and power interface V3.0b, SMBIOS2.5
Intel® Express BIOS update support
Intel® Rapid Start Technology
Intel® Ready Mode Technology

MEMORY:

Two DDR3L SO-DIMM slot for memory expandability up to 16 GB in dual channel configuration
Memory Voltage 1.35 V, 1333/1600 MHz

GRAPHICS:

Intel® Iristm HD 6100
1 x Mini HDMI 1.4a
1 x Mini DisplayPort 1.2 (supports multi display functionality)
Intel® Wireless Display "WiDi"

STORAGE:

1 x M.2 key type M 22x42 / 22x60 / 22x80mm (0.87" x 1.65" / 0.87" x 2.36" / 0.87" x 3.15") SATA or PCIe SSD
1 x SATA 6Gbps port for connection to 2.5" HDD or SSD (up to 9.5mm / 0.37" thick)

HARDWARE MANAGEMENT FEATURES:

Processor fan speed control
Voltage and temperature sensing
Fan sensor inputs used to monitor fan activity
ACPI-compliant power management control
Low-acoustics active cooling design

NETWORK CONNECTION:

Integrated Intel® Gigabit LAN Network Connection

WIRELESS:

Intel® Wireless-AC 7265 M.2 soldered-down, wireless antennas (IEEE 802.11ac, Dual Band, Dual-mode Bluetooth 4.0, 2x2, up to 867 Mbps)

AUDIO:

Intel® High Definition Audio via HDMI and DisplayPort outputs supporting 8 channel (7.1) digital audio
3.5mm (1/8") analog audio jack, supporting headset, speakers, headphones, or microphone

INDICATORS:

HDD LED, Power LED

CONTROLS:

Power on/off, reset

MECHANICAL:

Chassis Size: 115 x 111 x 49 mm (4.53" x 4.37" x 1.92")

POWER SUPPLY: 100-240v 50/60Hz AC External Power Supply – 19 volt / 65w with multi-country IEC adaptor

ENVIRONMENT:

Operating Temperature: 0°C to +50°C
Storage Temperature: -20°C to +70°C

ACCESSORIES:

VESA mount (attaches VMP to rear of flat-panel)

INTEL COMPLIANCE WITH REGULATIONS AND STANDARDS:

Safety Regulations: CAN/CSA-C22.2/IEC/UL/EN: EN 60950-1
EMC Class B Regulations: CISPR 22 / FCC 47 CFR Part 15, Subparts A, B / ICES-003 / EN 55022 / EN 55024 / VCCI V-3 / VCCI V-4 / KN-22 / KN-24 / CNS 13438

INTEL ENVIRONMENTAL COMPLIANCE: RoHS

WARRANTY: Lifetime return-to-base

2 years onsite (UK only)

ORDER PART CODE: VMP-517RYH...

DisplayPort Multi-Streaming (daisy-chaining)	First Display	Second Display	Third Display
2 Displays	2560 x 1600 @ 60 Hz	2560 x 1600 @ 60 Hz	
3 Displays	1920 x 1200 @ 60 Hz	1920 x 1080 @ 60 Hz	1920 x 1080 @ 60 Hz
3 Displays (with hub)	1920 x 1200 @ 60 Hz	1920 x 1080 @ 60 Hz	1920 x 1080 @ 60 Hz
Display Resolutions from video ports	Maximum Resolutions		
HDMI only	3840 x 2160 @ 60 Hz		
DP only	3840 x 2160 @ 60 Hz		
HDMI and DP	HDMI 1920 x 1200 @ 60 Hz DP 3840 x 2160 @ 60 Hz Or HDMI 3840 x 2160 @ 30 Hz DP 3840 x 2160 @ 30 Hz		

Note: 3d is only possible at resolutions where refresh rate is 60Hz

VMP-AT3815

Atom VMP [1xVGA/1xHDMI]

- **Processor: Atom™ Processor E3815 (1.46 GHz, Single Core)**
- **Fanless for silence and reliability**
- **Graphics: 1 x HDMI, 1 x VGA ports**
- **USB: 1 x 3.0, 2 x 2.0 ports**
- **Ethernet: 1 x port**
- **RAM Memory: 2-8 GB**
- **4GB of eMMC Storage**
- **SSD Hard Drive: 32GB-1TB (also supports older 2.5" SATA format)**
- **Audio: headphone jack**
- **Bluetooth/Wifi adaptor: optional**
- **VESA Wall Mount: included**
- **Chassis Dimensions 190 x 116 x 40 mm / 7.5" x 4.6" x 1.6" (larger than other models to support 2.5" SATA drive)**

Details

Based around Intel's® Atom processor, this VMP can be used for digital signage or many other applications. It comes with one HDMI output and one VGA output, and VESA wall mount is included for mounting to the rear of a flat-panel. Uniquely 4GB of on-board storage is built in so for applications that use Linux and do not need significant storage no hard drive is needed.

This player is also a full-powered computer and runs standard enterprise operating systems. Unlike locked down media players information technology engineers can customize Vision Media Players for each job.

Designed for schools, universities, call centres, enterprise, and government applications, the Atom model is optimised for value-conscious businesses and organisations. With legacy VGA connectivity it suits roll-outs with a large installed base of VGA monitors, plus HDMI is also supported.

As well as a host of external connectivity it also features internal connectivity such as RS-232 which suits embedded applications for point-of-sale and kiosk solutions. Using the internal eDP (embedded DisplayPort) touch-panel display connectivity inexpensive kiosks can be built as highly compact systems with no moving parts. Or it can be deployed in point-of-sale retail checkout environments with serial barcode readers and weight scale support. And it features extra internal USB 2.0 headers.

The Atom VMP has a discrete Intel® Trusted Platform Module device onboard for hardware-based data encryption for applications where confidential information is at stake. It features Intel® Virtualisation Technology (VT-x) and the Intel® Watchdog timer which reduces downtime on unattended players. It also features Intel's® Fast-Boot technology.

Options

Vision Media Players are fully configurable and are available with operating systems and digital signage software pre-loaded and tested.

Windows®

Choose between Windows 7, Windows 8, Windows 10, or the Linux operating systems, or simply order it with none if you'd prefer to load your own image.

Memory

Vision only use high quality components from premium brands such as Kingston and Micron. Choose from 2GB, 4GB, 8GB, and 16GB.

SSD

Vision Media Players use solid-state hard drives (SSD) for greater reliability and performance. Choose from 32GB up to 1TB. This VMP has 4GB of eMMC storage which can be used to boot Linux (not Windows), eliminating the need for a hard drive if the device is used for functions which don't require a lot of internal storage e.g. in a kiosk.

Signagelive

Vision's offers one of the most popular cloud-based digital signage software solutions pre-loaded. Signagelive can be installed so that when turned on the device goes straight into player mode.

Wifi and Bluetooth

An optional wifi and bluetooth adaptor Intel® Centrino® Advanced-N 6235 can be installed. This card features 802.11n dual-band wifi and Bluetooth 4.0.



Specifications

PROCESSOR:

Intel® Atom E3815 (512KB Cache, 1.46 GHz, Single Core) 5W thermal design power (TDP), Supports Intel® 64 architecture

PERIPHERAL CONNECTIVITY:

Integrated Intel® 10/100/1000 Network Connection
 1 x Super-Speed USB 3.0 port (front panel)
 2 x Hi-Speed USB 2.0 ports (rear panel)
 3 x Hi-Speed USB 2.0 ports (internal headers – not accessible)
 2 x Serial RS-232 ports (internal headers – not accessible)

EXPANSION CAPABILITIES:

1 x half length mini-PCIe slot (e.g. for wireless card)
 1 x Custom Solutions header (DMIC, AppLaunch GPIO, HDMI_CEC, SMBus, I2C[0:1], PWM[0:1] w/5V buffers, 1.8/3.3/5 Vstby)

SYSTEM BIOS:

Intel® Visual Bios
 64 Mb Flash EEPROM with Intel® Platform Innovation Framework for EFI Plug and Play
 Advanced configuration and power interface V3.0b, SMBIOS2.5
 Intel® Visual BIOS
 Intel® Express BIOS update support
 Fast Boot BIOS – Optimized POST for almost instant-on access to PC from power on

GRAPHICS:

Intel® HD Graphics (400 MHz)
 1 x HDMI 1.4a port
 1 x VGA port
 1 x eDP 1.3 with 2-lane backlight and adjustable voltage/timings (internal header – not accessible)

SYSTEM MEMORY:

One DDR3L SO-DIMM slot for memory expandable up to 8GB 1.35V, 1333/1600 MHz (down-clocked to 1066 MHz)

STORAGE CAPABILITIES:

One SATA port (3 Gb/s) with SATA DOM support and + 5V SATA power header
 Internal capacity for 2.5" HDD or SSD (up to 9.5mm / 0.37" thickness)
 4 GB eMMC device built-in
 Trusted Platform Module device (TPM 1.2)

HARDWARE MANAGEMENT FEATURES:

Watchdog Timer
 Fanless Thermal solution
 Fan speed control header (if you want to add a fan)
 Voltage and temperature sensing
 Fan sensor inputs used to monitor fan activity
 ACPI-compliant power management control

AUDIO:

Intel® High Definition Audio (Intel® HD Audio) via two HDMI 1.4a outputs supporting multi channel digital audio
 Intel® HD Audio via backpanel analog audio jack (headset, speakers, headphones, microphone)
 Intel® HD Audio via internal stereo speakers (internal header – not accessible)

INDICATORS:

HDD LED, Power LED

CONTROLS:

Power on/off

MECHANICAL:

Chassis Size: 190 x 116 x 40 mm (7.5" x 4.6" x 1.6")
 Vertical Stand and VESA Mount
 Kensington Lock Slot

BASEBOARD POWER REQUIREMENTS:

12-19v DC (rear panel)
 12-24 DC (internal header – not accessible)
 12v, 36W wall-mount AC-DC Power Adaptor

ENVIRONMENT:

Operating Temperature: 0°C to +50°C
 Storage Temperature: -20°C to +70°C

INTEL COMPLIANCE WITH REGULATIONS AND STANDARDS:

Safety Regulations: UL 60950-1 / EN 60950-1 / IEC 60950-1 / CAN/CSA-C22.2 No. 60905-1
 EMC Class B Regulations: CISPR 22 / FCC CFR Title 47, Chapter I, Part 15, Subparts A, B / ICES-003 / EN 55022 / EN 55024 / VCCI V-3, V-4 / KN-22 / KN-24 / CNS 13438

COMPLIANCE: RoHS (2011/65/EU), WEEE (2002/96/EC)

WARRANTY: Lifetime return-to-base
 2 years onsite (UK only)

ORDER PART CODE: VMP-AT3815...

First Display	Second Display
HDMI (up to 1920 x 1200 @60hz)	VGA (up to 1920 x 1200 @ 60hz)



VMP-CE5CPYH

Celeron 4K VMP [1xVGA/1xHDMI]

- **Processor:** Intel® Celeron N3050 (2.16 GHz Dual Core)
- **Graphics:** 1 x HDMI port, 1 x VGA
- **USB:** 4 x 3.0 ports
- **Ethernet:** 1 x port
- **RAM Memory:** 2-8GB
- **SSD Hard Drive:** 30-240GB or 30-480GB (2.5" type)
- **Audio:** Headphone Jack and HDMI
- **Bluetooth/Wifi adaptor:** pre-installed
- **VESA Wall Mount:** included
- **Kensington Lock Slot**
- **SD Card Slot**
- **Chassis Dimensions** 115 x 111 x 52 mm (4.6" x 4.4" x 2.0")

Details

The VMP-CE5CPYH is equipped with the Intel® Celeron® processor, giving you the performance you need for simple productivity and collaboration. You can create presentations, access cloud-based applications, collaborate with colleagues, and work on multiple documents at once—just like you'd expect.

Or use it as media player. It features Intel® HD Graphics for stunning visuals. With a VGA output option there's no need to buy a new display to support your Vision Media Player. Included Intel® WiDi lets you also connect wirelessly to WiDi-enabled displays or projectors.

Use the VESA mount to fit the VMP to the rear of a desktop monitor, or mount it to the wall. And the Kensington lock security assures your VMP is protected from theft.

Options

Vision Media Players are fully configurable and are available with operating systems and digital signage software pre-loaded and tested.

Windows®

Choose between Windows 10 or the Linux operating systems, or simply order it with none if you'd prefer to load your own image.

Memory

Vision only use high quality components from premium brands such as Kingston and Micron. Choose from 2GB, 4GB, and 8GB.

SSD

Vision Media Players use solid-state hard drives (SSD) for greater reliability and performance. Choose from 30GB up to 1TB. Or select a 2.5" drive from 30Gb to 480GB.

Signagelive

Vision's offers one of the most popular digital signage software solutions pre-loaded. Signagelive can be installed so that when turned on the device goes straight into player mode.

Wifi and Bluetooth

The pre-installed wifi and bluetooth adaptor is an Intel® Wireless-AC 3165 Dual band card which supports 802.11 ac, speeds up to 867 Mbps, Dual Mode Bluetooth 4.0, and Intel's Wireless Display.



Specifications

PROCESSOR:

Intel® Celeron N3050 (2.16 GHz dual-core, 6W TDP)

GRAPHICS:

Intel® HD Graphics

1 x HDMI 1.4b Port (max 3840 x 2160 @ 30Hz)

1 x VGA Port

PERIPHERAL CONNECTIVITY:

Integrated Intel® 10/100/1000 Network Connection

2 x USB 3.0 port (rear panel)

2 x USB 3.0 port (front panel, yellow for charging)

EXPANSION CAPABILITIES:

1 x Internal NFC header

1 x Internal DC power header

EXPANSION CAPABILITIES:

1 x SDXC slot with UHS-I support on the side

1 x SATA3 port (3 Gb/s) for internal support for 2.5" HDD or SSD (up to 9.5mm thick)

SYSTEM BIOS:

Intel® Visual Bios

64 Mb Flash EEPROM with Intel® Platform Innovation Framework for EFI Plug and Play

Advanced configuration and power interface V3.0b, SMBIOS2.5

Intel® Express BIOS update support

Rapid Start and Ready Mode Technology

SYSTEM MEMORY:

One DDR3L SO-DIMM slot for memory expandability up to 8 GB

Memory Voltage 1.35 V, 1333/1600 MHz

HARDWARE MANAGEMENT FEATURES:

Processor fan speed control

Voltage and temperature sensing

Fan sensor inputs used to monitor fan activity

ACPI-compliant power management control

AUDIO:

Intel® High Definition Audio via HDMI 1.4b output supporting 8 channel (7.1) digital audio

Intel® HD Audio 3.5mm (1/8") audio minijack, supporting headset,

speakers, headphones, or microphone

Toslink Optical Audio

INDICATORS:

HDD LED, Power LED

CONTROLS:

Power on/off

MECHANICAL:

Chassis Size: 115mmx111.0mmx51.6 mm (4.53" x 4.37" x 2.03")

Baseboard Power Requirements: DC Power 12V, 65 Watt, external power adaptor

ENVIRONMENT:

Operating Temperature: 0°C to +50°C

Storage Temperature: -20°C to +70°C

INTEL COMPLIANCE WITH REGULATIONS AND STANDARDS:

Safety Regulations: UL, CAN/CSA-C22.2, LVD 2006/95/sec, IEC: EN 60950-1

EMC Class B Regulations: CISPR 22 / FCC 47 CFR Part 15, Subparts A, B / ICES-003 / EN 55022 / EN 55024 / VCCI V-3 / VCCI V-4 / KN-22 / KN-24 / CNS 13438

INTEL ENVIRONMENTAL COMPLIANCE: RoHS

WARRANTY: Lifetime return-to-base

2 years onsite (UK only)

ORDER PART CODE: VMP-CE5CPYH...



VMP-6CAYH

Celeron 4K VMP [1xVGA/1xHDMI]

- **Processor:** Intel® Celeron J3455 (1.5 to 2.3 GHz Burst)
- **Graphics:** 1 x HDMI port, 1 x VGA
- **USB:** 4 x 3.0 ports
- **Ethernet:** 1 x port
- **RAM Memory:** up to 8GB
- **Hard Drive:** SSD or HDD (2.5" type)
- **Audio:** 2 x Headphone Jack and HDMI
- **Bluetooth/Wifi adaptor:** pre-installed
- **VESA Wall Mount:** included
- **Kensington Lock Slot**
- **SD Card Slot**
- **Chassis Dimensions** 115 x 111 x 51 mm (4.53" x 4.37" x 2.01")

Details

The VMP-6CAYH delivers cost-efficient intel-level performance, perfect for basic 4K digital signage or as a compact desktop replacement. Create presentations, access cloud-based applications, collaborate with colleagues, and work on multiple documents at once — just like you'd expect.

It features Intel® HD Graphics with 4K display capabilities for flicker-free viewing at incredible resolutions. With a VGA output option there's no need to buy a new display to support your Vision Media Player. Use the VESA mount to fit the VMP to the rear of a desktop monitor, or mount it to the wall. And the Kensington lock security assures your VMP is protected from theft.

Options

Vision Media Players are fully configurable and are available with operating systems and digital signage software pre-loaded and tested.

Windows®

Choose between Windows 10 or the Linux operating systems, or simply order it with none if you'd prefer to load your own image.

Memory

Vision only use high quality components from premium brands such as Kingston and Micron. Choose up to 8GB of RAM.

SSD

Vision Media Players use solid-state hard drives (SSD) for greater reliability and performance. This one also accepts older lower cost HDD drives.

Signagelive

Vision's offers one of the most popular digital signage software solutions pre-loaded. Signagelive can be installed so that when turned on the device goes straight into player mode.

Wifi and Bluetooth

The pre-installed wifi and bluetooth adaptor is an Intel® Wireless-AC 3168 Dual band card which supports 802.11ac, 1x1, speeds up to 433 Mbps, Dual Mode Bluetooth 4.2, and Intel's Wireless Display.



Specifications

PROCESSOR: Intel® Celeron J3455 (1.5 to 2.3 GHz Burst quad-core, 10W TDP)

GRAPHICS:

Intel® HD Graphics 500
1 x HDMI 2.0 Port (max 3840 x 2160 @ 60Hz)
1 x VGA Port (max 1920 x 1200 @ 60Hz)

PERIPHERAL CONNECTIVITY:

Integrated Intel® 10/100/1000 Network Connection
2 x USB 3.0 port (rear panel)
2 x USB 3.0 port (front panel, yellow for charging)

EXPANSION CAPABILITIES:

1 x Internal CEC header
1 x Internal DC power header

EXPANSION CAPABILITIES:

1 x SDXC slot with UHS-I support on the side
1 x SATA3 port (3 Gb/s) for internal support for 2.5" HDD or SSD (up to 9.5mm thick)

SYSTEM BIOS:

Intel® Visual Bios
64 Mb Flash EEPROM with Intel® Platform Innovation Framework for EFI Plug and Play
Advanced configuration and power interface V3.0b, SMBIOS2.5
Intel® Express BIOS update support

SYSTEM MEMORY:

One DDR3L SO-DIMM slot for memory expandability up to 8 GB
Memory Voltage 1.35 V, 1866 MHz

HARDWARE MANAGEMENT FEATURES:

Processor fan speed control
Voltage and temperature sensing
Fan sensor inputs used to monitor fan activity
ACPI-compliant power management control

AUDIO:

1 x HDMI output supporting 8 channel (7.1) digital audio
1 x front 3.5mm (1/8") audio minijack, supporting headset, speakers, headphones, or microphone
1 x rear 3.5mm (1/8") audio minijack, combo as above but including optical

INDICATORS:

HDD LED, Power LED

CONTROLS:

Power on/off

MECHANICAL:

Chassis Size: 115mm x 111 mm x 51 mm (4.53" x 4.37" x 2.01")
Baseboard Power Requirements: DC Power 12V, 65 Watt, external power adaptor

ENVIRONMENT

Operating Temperature: 0°C to +50°C
Storage Temperature: -20°C to +70°C

INTEL COMPLIANCE WITH REGULATIONS AND STANDARDS:

Safety Regulations: UL, CAN/CSA-C22.2, LVD 2006/95/sec, IEC: EN 60950-1
EMC Class B Regulations: CISPR 22 / FCC 47 CFR Part 15, Subparts A, B / ICES-003 / EN 55022 / EN 55024 / VCCI V-3 / VCCI V-4 / KN-22 / KN-24 / CNS 13438

INTEL ENVIRONMENTAL COMPLIANCE: RoHS

WARRANTY: Lifetime return-to-base
2 years onsite (UK only)

ORDER PART CODE: VMP-6CAYH...

VMP-7I3BNK

i3 4K VMP [1xHDMI/1xUSB-C]

- **Processor:** Intel® Core™ 7th Generation i3-7100U
- **Graphics:** 1 x HDMI/ 1 x USB Type-C
- **USB:** 1 x 3.1 (type-C) / 4 x 3.0
- **Ethernet:** 1 x Gigabit LAN
- **RAM Memory:** up to 32GB
- **SSD Hard Drive:** M.2 type
- **Audio:** Headphone/microphone Jack and HDMI
- **Microphones:** Dual-array in front for Cortana
- **Bluetooth adaptor:** Dual Mode 4.2
- **VESA Wall Mount:** included
- **Chassis Dimensions:** 115 x 111 x 35 mm (4.53" x 4.37" x 1.38")

Details

This 7th Generation Vision Media Player is packed with the latest video card which supports 4K video with a refresh rate of 60Hz! This high refresh rate makes every movement on the screen crisp and smooth. Video is output by the full-sized HDMI connector, or the new Type-C USB connector. Also known as USB 3.1, this new USB connector can carry high speed data or DisplayPort 1.2 signal.

DisplayPort output supports Multi-Stream Transport (MST) which allows for multiple independent video streams (daisy-chain connection with multiple monitors) over a single DisplayPort. This will require the use of displays that support DisplayPort 1.2 and allow for this feature.

A wireless card comes built in which supports the latest Bluetooth and Wifi standards, and the front power button has a multi-coloured LED ring so you can personalise the look.

If you choose to run Windows 10 the new microphone array built into the front panel makes it easy to leverage voice control with Cortana. The future of digital signage where viewers can interact with the content by voice is here.

Options

Vision Media Players are fully configurable and are available with operating systems and digital signage software pre-loaded and tested.

Windows®

Choose from any Windows or Linux operating systems, or simply order it with none if you'd prefer to load your own image.

Memory

Vision only use high quality components from premium brands. Choose from 4GB, 8GB, 16GB, and 32GB.

SSD

This Vision Media Player has one M.2 connector to accept the latest, fastest, and smallest solid-state hard drives (SSD). It supports 22x42 or 22x80 SSD.

Signagelive

Vision's offers one of the most popular digital signage software solutions pre-loaded. Signagelive can be installed so that when turned on the device goes straight into player mode.

Wifi and Bluetooth

Comes with Intel's ® dual-band AC 8265 wireless adaptor which supports 802.11ac, Bluetooth 4.2, and Intel's Wireless Display (WiDi).



Specifications

PROCESSOR: Intel® Core™ i3-7100U (2.4 GHz, Dual Core, 3MB Cache, 15W TDP)

GRAPHICS:

Intel® HD 620
1 x HDMI 2.0 port with 4k @60Hz
1 x USB Type-C port with DisplayPort 1.2

PERIPHERAL CONNECTIVITY:

Integrated Intel® Gigabit LAN Connection
USB Type-C port providing USB 3.1 Gen 2 with data transfer up to 10 Gbps
Rear Panel: 2 x Super Hi-Speed USB 3.0
Front Panel: 2 x Super-Speed USB 3.0 (one for charging)
Intel® Dual Band Wireless-AC 8265 (802.11ac), 2x2, up to 867 Mbps

EXPANSION CAPABILITIES:

1 x AUX_PWR Header
1 x Consumer Electronics Control Header

SYSTEM BIOS:

Intel® Visual Bios
Intel® Express BIOS update support
64 Mb Flash EEPROM with Intel® Platform Innovation Framework for EFI Plug and Play
Advanced configuration and power interface V3.0b, SMBIOS2.5

MEMORY:

Two DDR4 SO-DIMM sockets (up to 32 GB)
Memory Voltage 1.2 V, 2133 MHz

STORAGE:

1 x Micro SDXC slot with UHS-I support on the side
1 x M.2 type B connector 22x42 / 22x80mm SSD

HARDWARE MANAGEMENT FEATURES:

Processor fan speed control
Voltage and temperature sensing
Fan sensor inputs used to monitor fan activity
ACPI-compliant power management control

AUDIO:

Up to 7.1 surround audio via HDMI
Headphone/ microphone jack on the front panel
Dual-array microphones on front panel

INDICATORS:

HDD LED, Power LEDs

CONTROLS:

Power on/off, reset

MECHANICAL: Chassis Size: 115 x 111 x 35 mm

(4.53" x 4.37" x 1.38")
With Kensington slot

POWER SUPPLY: 100-240v 50/60Hz AC External Power Supply
– 19 volt / 65w wall-mount AC-DC power adapter

ENVIRONMENT:

Operating Temperature: 0°C to +40°C
Storage Temperature: -20°C to +60°C

ACCESSORIES:

VESA mount (attaches VMP to rear of flat-panel)

INTEL COMPLIANCE WITH REGULATIONS AND STANDARDS:

Safety Regulations: CAN/CSA-C22.2/IEC/UL/EN: 60950-1
EMC Class B Regulations: CISPR 32 / FCC 47 CFR Part 15, Subparts B, C, E / ICES-003 / EN 55032 / EN 55024 / ETSI EN 300 328 / ETSI EN 301 489-1 / ETSI EN 301 893 / EN 62311 / AS/NZS 2772.2 / AS/NZS4268 / VCCI V-2, V-33, V-4 / KN-32 / KN-24 / CNS 13438

INTEL ENVIRONMENTAL COMPLIANCE: RoHS, WEEE, China RoHS

WARRANTY: Lifetime return-to-base
2 years onsite (UK only)

ORDER PART CODE: VMP-713BNK...

DisplayPort Multi-Streaming (daisy-chaining)	First Display	Second Display	Third Display
2 Displays	2560 x 1600 @ 60 Hz	2560 x 1600 @ 60 Hz	
3 Displays	1920 x 1200 @ 60 Hz or 1920 x 1080 @ 60 Hz if using a hub	1920 x 1080 @ 60 Hz	1920 x 1080 @ 60 Hz
Display Resolutions from video ports	Maximum Resolutions		
USB-C	4096 x 2304 @ 60 Hz		
HDMI	4096 x 2160 @ 60 Hz		

VMP-7I5BNK

i5 4K VMP [1xHDMI/1xUSB-C]

- **Processor:** Intel® Core™ 7th Generation i5-7260U
- **Graphics:** 1 x HDMI/ 1 x USB Type-C
- **USB:** 1 x 3.1 (type-C thunderbolt 3) / 4 x 3.0
- **Ethernet:** 1 x Gigabit LAN
- **RAM Memory:** up to 32GB
- **SSD Hard Drive:** M.2 type
- **Audio:** Headphone/microphone Jack and HDMI
- **Microphones:** Dual-array in front for Cortana
- **Bluetooth adaptor:** Dual Mode 4.2
- **VESA Wall Mount:** included
- **Chassis Dimensions:** 115 x 111 x 35 mm (4.53" x 4.37" x 1.38")

Details

This 7th Generation Vision Media Player is packed with the latest Intel Iris™ Plus graphics card which adds better clarity, letting you see data visualisations or onscreen text in brilliant definition. The high 60Hz refresh rate makes every movement on the screen crisp and smooth.

Connect up to three 4K displays simultaneously, all running different content. Video is output by the full-sized HDMI connector, or the new Type-C USB connector. Also known as USB 3.1, this new USB connector can carry DisplayPort 1.2 signal, or Thunderbolt 3 data signal which supports data transfer rates of up to 40 Gbps! That's four times as fast as the standard USB-C data transfer rate.

A wireless card comes built in which supports the latest Bluetooth and Wifi standards, and the front power button has a multi-coloured LED ring so you can personalise the look.

If you choose to run Windows 10 the new microphone array built into the front panel makes it easy to leverage voice control with Cortana. The future of digital signage where viewers can interact with the content by voice is here.

Options

Vision Media Players are fully configurable and are available with operating systems and digital signage software pre-loaded and tested.

Windows®

Choose from any Windows or Linux operating systems, or simply order it with none if you'd prefer to load your own image.

Memory

Vision only use high quality components from premium brands. Choose from 4GB, 8GB, 16GB, and 32GB.

SSD

This Vision Media Player has one M.2 connector to accept the latest, fastest, and smallest solid-state hard drives (SSD). It supports 22x42 or 22x80 SSD.

Signagelive

Vision's offers one of the most popular digital signage software solutions pre-loaded. Signagelive can be installed so that when turned on the device goes straight into player mode.

Wifi and Bluetooth

Comes with Intel's ® dual-band AC 8265 wireless adaptor which supports 802.11ac, Bluetooth 4.2, and Intel's Wireless Display (WiDi).



Specifications

PROCESSOR:

Intel® Core™ i5-7260U (2.2 GHz, Dual Core, 4MB Cache, 15W TDP)

PERIPHERAL CONNECTIVITY:

Integrated Intel® Gigabit LAN Connection
 USB Type-C port providing support for USB 3.1 Gen 2, or Thunderbolt 3 with data transfer up to 40 Gbps
 Rear Panel: 2 x Super Hi-Speed USB 3.0
 Front Panel: 2 x Super-Speed USB 3.0 (one for charging)
 Intel® Dual Band Wireless-AC 8265 (802.11ac), 2x2, up to 867 Mbps

EXPANSION CAPABILITIES:

1 x AUX_PWR Header
 1 x Consumer Electronics Control Header

SYSTEM BIOS:

Intel® Visual Bios
 Intel® Express BIOS update support
 64 Mb Flash EEPROM with Intel® Platform Innovation Framework for EFI Plug and Play
 Advanced configuration and power interface V3.0b, SMBIOS2.5

GRAPHICS:

Intel® Iris™ Plus Graphics 640
 1 x HDMI 2.0 port with 4k @60Hz
 1 x USB Type-C port with DisplayPort 1.2

MEMORY:

Two DDR4 SO-DIMM sockets (up to 32 GB)
 Memory Voltage 1.2 V, 2133 MHz

STORAGE:

1 x Micro SDXC slot with UHS-I support on the side
 1 x M.2 type B connector 22x42 / 22x80mm SSD

HARDWARE MANAGEMENT FEATURES:

Processor fan speed control
 Voltage and temperature sensing
 Fan sensor inputs used to monitor fan activity
 ACPI-compliant power management control

AUDIO:

Up to 7.1 surround audio via HDMI
 Headphone/ microphone jack on the front panel
 Dual-array microphones on front panel

INDICATORS:

HDD LED, Power LEDs

CONTROLS:

Power on/off, reset

MECHANICAL: Chassis Size: 115 x 111 x 35 mm (4.53" x 4.37" x 1.38")

With Kensington slot

POWER SUPPLY: 100-240v 50/60Hz AC External Power Supply – 19 volt / 65w wall-mount AC-DC power adapter

ENVIRONMENT:

Operating Temperature: 0°C to +40°C
 Storage Temperature: -20°C to +60°C

ACCESSORIES:

VESA mount (attaches VMP to rear of flat-panel)

INTEL COMPLIANCE WITH REGULATIONS AND STANDARDS:

Safety Regulations: CAN/CSA-C22.2/IEC/UL/EN: 60950-1
 EMC Class B Regulations: CISPR 32 / FCC 47 CFR Part 15, Subparts B, C, E / ICES-003 / EN 55032 / EN 55024 / ETSI EN 300 328 / ETSI EN 301 489-1 / ETSI EN 301 489-1 / ETSI EN 301 893 / EN 62311 / AS/NZS 2772.2 / AS/NZS4268 / VCCI V-2, V-3, V-4 / KN-32 / KN-24 / CNS 13438

INTEL ENVIRONMENTAL COMPLIANCE: RoHS, WEEE, China RoHS

WARRANTY: Lifetime return-to-base
 2 years onsite (UK only)

ORDER PART CODE: VMP-715BNK...

DisplayPort Multi-Streaming (daisy-chaining)	First Display	Second Display	Third Display
2 Displays	2560 x 1600 @ 60 Hz	2560 x 1600 @ 60 Hz	
3 Displays	1920 x 1200 @ 60 Hz or 1920 x 1080 @ 60 Hz if using a hub	1920 x 1080 @ 60 Hz	1920 x 1080 @ 60 Hz
Display Resolutions from video ports	Maximum Resolutions		
USB-C	4096 x 2304 @ 60 Hz		
HDMI	4096 x 2160 @ 60 Hz		

VMP-717BNH

i7 4K VMP [1xHDMI/1xUSB-C]

- **Processor:** Intel® Core™ 7th Generation i7-7567U
- **Graphics:** 1 x HDMI/ 1 x USB Type-C
- **USB:** 1 x 3.1 (type-C thunderbolt 3) / 4 x 3.0
- **Ethernet:** 1 x Gigabit LAN
- **RAM Memory:** up to 32GB
- **Hard Drive:** SSD M.2 type or HDD via SATA3
- **Audio:** Headphone/microphone Jack and HDMI
- **Microphones:** Dual-array in front for Cortana
- **Bluetooth adaptor:** Dual Mode 4.2
- **VESA Wall Mount:** included
- **Chassis Size:** 115 x 111 x 35 mm (4.53" x 4.37" x 1.38")

Details

This 7th Generation Vision Media Player features a dual-array microphone so you can leverage Windows Cortana, and it has the latest Intel Iris™ Plus graphics card. The 4K resolution and 60Hz refresh rate makes movement smooth and detail crystal clear.

Connect up to three 4K displays simultaneously, all running different content. Video is output by the full-sized HDMI connector, or the new Type-C USB connector. Also known as USB 3.1, this new USB connector can carry DisplayPort 1.2 signal, or Thunderbolt 3 data signal which supports data transfer rates of up to 40 Gbps! That's four times as fast as the standard USB-C data transfer rate.

A wireless card comes built in which supports the latest Bluetooth and Wifi standards, and the front power button has a multi-coloured LED ring so you can personalise the look.

The VMP-717BNH is Optane Memory ready. By pairing Optane memory with high capacity HDD storage you get faster boot times, application launches, and more responsive browsing.

Options

Vision Media Players are fully configurable and are available with operating systems and digital signage software pre-loaded and tested.

Windows®

Choose from any Windows or Linux operating systems, or simply order it with none if you'd prefer to load your own image.

Memory

Vision only use high quality components from premium brands. Choose up to 32GB of RAM.

SSD

This Vision Media Player has one M.2 connector to accept the latest, fastest, and smallest solid-state hard drives (SSD). It supports 22x42 or 22x80 SSD. It also has a SATA3 port for connection of a 2.5" drive.

Signagelive

Vision's offers one of the most popular digital signage software solutions pre-loaded. Signagelive can be installed so that when turned on the device goes straight into player mode.

Wifi and Bluetooth

Comes with Intel's ® dual-band AC 8265 wireless adaptor which supports 802.11ac, Bluetooth 4.2, and Intel's Wireless Display (WiDi).



Specifications

PROCESSOR:

Intel® Core™ i7-7567U (2.2 GHz, Dual Core, 4MB Cache, 15W TDP)

PERIPHERAL CONNECTIVITY:

Integrated Intel® Gigabit LAN Connection
 USB Type-C port providing support for USB 3.1 Gen 2, or Thunderbolt 3 with data transfer up to 40 Gbps
 Rear Panel: 2 x Super Hi-Speed USB 3.0
 Front Panel: 2 x Super-Speed USB 3.0 (one outputs 1.5A for charging)
 Intel® Dual Band Wireless-AC 8265 (802.11ac), 2x2, up to 867 Mbps

EXPANSION CAPABILITIES:

1 x AUX_PWR Header
 1 x Consumer Electronics Control Header

SYSTEM BIOS:

Intel® Visual Bios
 Intel® Express BIOS update support
 64 Mb Flash EEPROM with Intel® Platform Innovation Framework for EFI Plug and Play
 Advanced configuration and power interface V3.0b, SMBIOS2.5

MEMORY:

Two DDR4 SO-DIMM sockets (up to 32 GB)
 Memory Voltage 1.2 V, 2133 MHz

GRAPHICS:

Intel® Iris™ Plus Graphics 650
 1 x HDMI 2.0 port with 4k @60Hz
 1 x USB Type-C port with DisplayPort 1.2

STORAGE:

1 x Micro SDXC slot with UHS-I support on the side
 1 x SATA3 port for connection to 2.5" HDD or SSD
 1 x M.2 type B connector for 42 or 80 mm SSD

HARDWARE MANAGEMENT FEATURES:

Processor fan speed control
 Voltage and temperature sensing
 Fan sensor inputs used to monitor fan activity
 ACPI-compliant power management control

AUDIO:

Up to 7.1 surround audio via HDMI
 Headphone/ microphone jack on the front panel
 Dual-array microphones on front panel

INDICATORS:

HDD LED, Power LEDs

CONTROLS:

Power on/off, reset

MECHANICAL: Chassis Size: 115 x 111 x 35 mm (4.53" x 4.37"

x 1.38")
 With Kensington slot
 With MicroSD slot
 Consumer IR sensor

POWER SUPPLY: 100-240V 50/60Hz AC External Power Supply
 – 19 volt / 65w wall-mount AC-DC power adapter

ENVIRONMENT:

Operating Temperature: 0°C to +40°C
 Storage Temperature: -20°C to +60°C

ACCESSORIES:

VESA mount (attaches VMP to rear of flat-panel)

INTEL COMPLIANCE WITH REGULATIONS AND STANDARDS:

Safety Regulations: CAN/CSA-C22.2/IEC/UL/EN: 60950-1
 EMC Class B Regulations: CISPR 32 / FCC 47 CFR Part 15, Subparts B, C, E / ICES-003 / EN 55032 / EN 55024 / ETSI EN 300 328 / ETSI EN 301 489-1 / ETSI EN 301 489-1 / ETSI EN 301 893 / EN 62311 / AS/NZS 2772.2 / AS/NZS4268 / VCCI V-2, V-3, V-4 / KN-32 / KN-24 / CNS 13438

INTEL ENVIRONMENTAL COMPLIANCE: RoHS, WEEE, China RoHS

WARRANTY: Lifetime return-to-base
 2 years onsite (UK only)

ORDER PART CODE: VMP-717BNH...

DisplayPort Multi-Streaming (daisy-chaining)	First Display	Second Display	Third Display
2 Displays	2560 x 1600 @ 60 Hz	2560 x 1600 @ 60 Hz	
3 Displays	1920 x 1200 @ 60 Hz or 1920 x 1080 @ 60 Hz if using a hub	1920 x 1080 @ 60 Hz	1920 x 1080 @ 60 Hz
Display Resolutions from video ports	Maximum Resolutions		
USB-C	4096 x 2304 @ 60 Hz		
HDMI	4096 x 2160 @ 60 Hz		

AUDIO CABLES

Minijack Cable

This simple patch cable connects your phone or laptop to most audio systems. Minijacks are also known as 1/4" (quarter-inch), or TRS jack (tip-ring-sleeve) and 3.5 mm / 0.14" jack. They carry a "line-level" signal.

- 3.5 mm 1/4" (male) jack to 3.5 mm 1/4" jack (male)
- Colour: White
- Gold-plated connectors
- Narrow plug to fit iPhone sockets
- Insulation: Double-insulated with Aluminium foil
- Sheath: PVC, outer diameter: 3 mm (0.11")
- Conductor thickness: 26AWG
- Tinned copper spiral shielding

Packaged Weight:

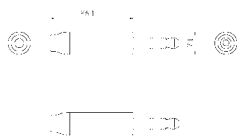
- 1 m: 0.02 kg (0.04 lb)
- 2 m: 0.04 kg (0.09 lb)

Packaged Dimension:

- 1 m: 140 mm x 200 mm (5.5" x 7.9")
- 2 m: 140 mm x 200 mm (5.5" x 7.9")

Retail packaging Part Numbers:

- TC 1M3.5MMP [SAP:3546048] 1 metre (3.3 feet)
- TC 2M3.5MMP [SAP:3265183] 2 metres (6.6 feet)



Minijack to 2-Phono Cable

Some amplifiers don't have a minijack input so in case cases this patch cable will be necessary to connect a computer, tablet, or phone to an amplifier or active loudspeakers. 2-Phono is also called RCA or sometimes cinch. Like the minijack cable this one carries a "line-level" signal.

- 3.5 mm 1/4" (male) jack to 2 x Phono/RCA (male)
- Colour: White
- Nickel-plated connectors
- Sheath: PVC, outer diameter: 2.8 x 5.6 mm (0.11" x 0.22")
- Conductor thickness: 26AWG
- Tinned copper spiral shielding

Packaged Weight:

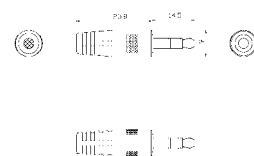
- 2 m: 0.07 kg (0.15 lb)

Packaged Dimensions:

- 2 m: 140 mm x 200 mm (5.5" x 7.9")

Retail packaging Part Number:

- TC 2M3.5MM2PHO [SAP:3265179] 2 metres (6.6 feet)



CAT5E AND CAT6 ETHERNET CABLES



CAT6 Ethernet Cable

- RJ45 8P8C (male) to RJ45 8P8C (male)
- Colour: White
- U/UTP (unscreened)
- Stranded bare copper conductors
- Gold-plated RJ45 booting connectors
- Insulation: HDPE, diameter: 0.97 mm (0.04")
- Sheath: PVC, thickness: 0.6 mm (0.02"); outer diameter: 6.2 mm (0.24")
- Conductor thickness: 24AWG (7/0.2)
- Bandwidth: 250MHz
- Impedance (Ω) 100 \pm 15
- Delay Skew @ 20°(ns/100m) \leq 45

Packaged Weight:

- 0.5 m: 0.04 kg (0.09 lb)
- 1 m: 0.06 kg (0.13 lb)
- 2 m: 0.10 kg (0.22 lb)
- 3 m: 0.14 kg (0.3 lb)
- 5 m: 0.23 kg (0.51 lb)
- 10 m: 0.43 kg (0.95 lb)
- 15 m: 0.65 kg (1.4 lb)
- 20 m: 0.87 kg (1.9 lb)

Packaged Dimensions:

- 0.5 m: 170 mm x 220 mm (6.6" x 8.6")
- 1 m: 170 mm x 220 mm (6.6" x 8.6")
- 2 m: 220 mm x 270 mm (8.6" x 10.6")
- 3 m: 220 mm x 270 mm (8.6" x 10.6")
- 5 m: 220 mm x 270 mm (8.6" x 10.6")
- 10 m: 220 mm x 270 mm (8.6" x 10.6")
- 20 m: 260 mm x 320 mm (10.2" x 12.6")
- Retail Packaging

Part Numbers

TC 0.5MCAT6 [SAP:3265140] 0.5 metres (1.6 feet)
TC 1MCAT6 [SAP:3265141] 1 metres (3.3 feet)
TC 2MCAT6 [SAP:3265142] 2 metres (6.6 feet)
TC 3MCAT6 [SAP:3265146] 3 metres (9.8 feet)
TC 5MCAT6 [SAP:3265147] 5 metres (16.4 feet)
TC 10MCAT6 [SAP:3265148] 10 metres (32.8 feet)
TC 20MCAT6 [SAP:3265150] 20 metres (65.6 feet)

USB to Ethernet Adaptor

Converts a USB port on a laptop into an RJ45 ethernet port.

- USB-B (male) to RJ45 8P8C (female)
- Colour: white
- USB 2.0 to Ethernet 10/100Mbps
- Works with Mac and PC
- Integrated Fast Ethernet MAC
- Nickel-plated USB-A connector
- Shielded RJ45 socket
- Chassis size: 59 x 15 x 21 mm (2.3" x 0.6" x 0.83")
- Powered by USB (5v, 600mA)
- Supports suspend/resume detection logic
- Supports control endpoint with maximum 8-byte packet, bulk-in endpoint with 64 bytes/packet; bulk-out endpoint with 64 bytes/packet; or interrupt-in endpoint with 8 bytes/packet
- Realtek chipset

Packaged Weight:

- 0.04 kg (0.09 lb)

Packaged Dimension:

- 110 mm x 180 mm (4.3" x 7.1")

Retail packaging

Part Number:

TC-USBETH [SAP:3265218]

[Drivers](#)

DISPLAYPORT CABLES AND ADAPTORS



DisplayPort Cable

DP (male) to DP (male)
 Colour: White
 4K compliant
 DP 1.2
 Gold-plated connectors
 Supports 1 Mbps bidirectional auxiliary channel
 Supports hotplug
 Sheath outer diameter: 7.3 mm (0.3")
 Conductor thickness: 28 AWG (American Wire Gauge)
 Ferrite Cores (5 m / 16.4 feet cable only)
 Packaged Weight:
 1 m: 0.12 kg (0.26 lb)
 2 m: 0.21 kg (0.46 lb)
 5 m: 0.48 kg (1.1 lb)
 Packaged Dimensions:
 2 m: 220 mm x 270 mm (8.6" x 10.6")
 5 m: 260 mm x 320 mm (10.2" x 12.6")
 Retail packaging
 Part Numbers
 TC 2MDP [SAP:3265161] 2 metres (6.6 feet)
 TC 5MDP [SAP:3265162] 5 metres (16.4 feet)



DisplayPort to HDMI Cable

Allows PCs with 'Dual-Mode' DisplayPort (DP++) outputs to connect to displays with HDMI inputs.
 DP (latching male) to HDMI-A (male)
 Colour: White
 4K compliant
 Maximum Resolution: 4k @ 30 Hz (note: at time of writing no chipset supports 60Hz)
 High-Speed (Category 2) with Ethernet
 HDMI 2.0 (active circuit at HDMI connector)
 Gold-plated connectors
 Contact Resistance: 2 ohm max
 Supports hotplug
 Sheath outer diameter: 5.5 mm (0.22")
 Conductor thickness: 30 AWG (American Wire Gauge)
 Packaged Weight:
 1 m: 0.07 kg (0.15 lb)
 2 m: 0.11 kg (0.24 lb)
 3 m: 0.15 kg (0.33 lb)
 Packaged Dimensions:
 1m: 220 mm x 270 mm (8.6" x 10.6")
 2 m: 220 mm x 270 mm (8.6" x 10.6")
 3 m: 220 mm x 270 mm (8.6" x 10.6")
 Retail packaging
 Part Numbers
 TC 1MDPHDMI [SAP: 3265165] 1 metre (3.3 feet)
 TC 2MDPHDMI [SAP:3265166] 2 metres (6.6 feet)
 TC 3MDPHDMI [SAP:3265167] 3 metres (9.8 feet)



Mini-Displayport to HDMI Cable

Allows PCs with 'Dual-Mode' DisplayPort (DP++) outputs to connect to displays with HDMI inputs.
 Note that Thunderbolt® uses the Mini-DP connector. In addition to carrying DisplayPort signal Thunderbolt also carries data.
 Mini-DP (male) to HDMI-A (male)
 Colour: White
 4K compliant
 Maximum Resolution: 4k @ 30 Hz (note: at time of writing no chipset supports 60Hz)
 HDMI 2.0 (active circuit at HDMI connector)
 Gold-plated connectors
 Contact Resistance: 2 ohm max
 Supports hotplug
 Sheath: outer diameter: 5.5 mm (0.22")
 Conductor thickness: 30 AWG (American Wire Gauge)
 Packaged Weight:
 1 m: 0.06 kg (0.13 lb)
 2 m: 0.01 kg (0.02 lb)
 Packaged Dimensions:
 1 m: 220 mm x 270 mm (8.6" x 10.6")
 2 m: 220 mm x 270 mm (8.6" x 10.6")
 Retail packaging
 Part Numbers
 TC 2MMDPHDMI [SAP:3265164] 2 metres (6.6 feet)



Mini-DisplayPort to HDMI Converter

Plugs into Mini-DisplayPort (also known as Thunderbolt) and has full-sized HDMI socket. Active circuit allows PCs with or without Dual-Mode DisplayPort (DP++) to connect to displays with HDMI inputs.
 mDP (male) to HDMI-A (female)
 Colour: Black
 Overall length: 225mm (8.9")
 Chassis size: 60 x 21 x 13 mm (2.4" x 0.8" x 0.5")
 SP171 chipset
 Supports ATI Eyefinity™ multi-screen display function
 Packaged Weight:
 0.05 kg (0.11 lb)
 Packaged Dimensions:
 170 mm x 220 mm (6.7" x 8.6")
 Retail packaging
 Part Number: TC-MDPHDMI [SAP:3265171]



DisplayPort to HDMI Converter

Plugs into DisplayPort and has full-sized HDMI socket. Active circuit allows PCs with or without Dual-Mode DisplayPort (DP++) to connect to displays with HDMI inputs.
 DP (male) to HDMI-A (female)
 Colour: Black
 Overall length: 225mm (8.9")
 Chassis size: 60 x 21 x 13 mm (2.4" x 0.8" x 0.5")
 SP171 chipset
 Supports ATI Eyefinity™ multi-screen display function
 Supports 4K @ 30Hz
 Packaged Weight:
 0.05 kg (0.11 lb)
 Packaged Dimension:
 170 mm x 220 mm (6.7" x 8.6")
 Retail packaging
 Part Number: TC-DPHDMI [SAP:3265172]



Mini-DisplayPort to VGA Converter

Plugs into Mini-DisplayPort (also known as Thunderbolt) and has VGA socket. Active circuit converts the digital signal into analogue VGA for display devices which don't have a digital input.
 mDP (male) to VGA 15-pin D-Sub (female)
 Colour: White
 Maximum resolution: 1920 x 1080
 Overall length: 220 mm (0.87")
 Chassis size: 150 x 45 x 16 mm (5.9" x 1.8" x 0.6")
 Packaged Weight:
 0.04 kg (0.09 lb)
 Packaged Dimension:
 170 mm x 220 mm (6.7" x 8.6")
 Retail packaging
 Part Number: TC-MDPVGA [SAP:3265173]

HDMI CABLES AND ADAPTORS



Standard HDMI Cable

HDMI-A (male) to HDMI-A (male)
Colour: White
4K compliant
High-Speed (Category 2) with Ethernet
HDMI 1.4
Gold-plated connectors
Sheath outer diameter:
≤ 5 m 7.3 mm (≤16.4 ft 0.29")
10 m 8.0 mm (32.81 ft 0.31")
15 m 9.5 mm (49.21 ft 0.37")
Conductor thickness:
≤ 5 m 28 AWG (American Wire Gauge)
10 m 26 AWG
15 m 24 AWG
Packaged Weight:
0.5 m: 0.05 kg (0.11 lb)
1 m: 0.08 kg (0.18 lb)
2 m: 0.16 kg (0.35 lb)
3 m: 0.20 kg (0.44 lb)
5 m: 0.32 kg (0.71 lb)
10 m: 0.74 kg (1.6 lb)
15 m: 1.50 kg (3.3 lb)
Packaged Dimensions:
0.5 m: 140 mm x 200 mm (5.5" x 7.9")
1 m: 140 mm x 200 mm (5.5" x 7.9")
2 m: 220 mm x 320 mm (8.7" x 12.6")
3 m: 220 mm x 320 mm (8.7" x 12.6")
5 m: 140 mm x 130 mm (5.5" x 5.1")
10 m: 240 mm x 240 mm (9.4" x 9.4")
15 m: 200 mm x 130 mm (7.9" x 5.1")
Retail packaging
Part Numbers
TC 0.5MHDMI [SAP:3058973] 0.5 metres (1.6 feet)
TC 1MHDMI [SAP:3058974] 1 metres (3.3 feet)
TC 2MHDMI [SAP:3265151] 2 metres (6.6 feet)
TC2 3MHDMI [SAP:3000666] 3 metres (9.8 feet)
TC2 5MHDMI [SAP:2746863] 5 metres (16.4 feet)
TC2 10MHDMI [SAP:2746864] 10 metres (32.8 feet)
TC2 15MHDMI [SAP:2746865] 15 metres (49.2 feet)



Mini-HDMI to HDMI Adaptor

Plugs into Mini-HDMI port and has full-sized HDMI socket
HDMI-C (male) to HDMI-A (female)
Colour: Black
Chassis size: mm
Packaged Weight:
0.01 kg (0.02 lb)
Packaged Dimension:
110 mm x 180 mm (4.3" x 7.1")
Retail packaging
Part Number: TC-MHDMIHDMI [SAP:3265169]



Long Fibre-Optic HDMI Cable

Long HDMI cable which is thin and flexible. Uses Multi-mode optical fibre wrapped in synthetic Aramid fibres which are heat-resistant and strong synthetic fibres used for ballistic-rated body armour fabric.
HDMI-A (male) to HDMI-A (male)
Colour: Black
Maximum Resolution: 1080P 3D (note: will not support 4K)
High-Speed (Category 2) with Ethernet
HDMI 1.4
Gold-plated connectors
Active circuit in plug (draws power from HDMI)
Not affected by EMF radiation
Halogen-free outer sheath
Sheath outer diameter: 2.9 x 5 mm (0.11" x 0.20")
Packaged Weight:
30 m: 0.6 kg (1.52 lb)
50 m: 1 kg (2.33 lb)
Packaged Dimensions:
30 m: 260 x 320 mm (10.24" x 12.60")
50 m: 300 x 350 mm (11.81" x 13.78")
Retail packaging
Part Numbers
TC 30MHDMI [SAP:4085649] 30 metres (98 feet)
TC 50MHDMI [SAP:4085650] 50 metres (164 feet)



Mini-HDMI to HDMI Cable

HDMI-C (male) to HDMI-A (male)
Colour: White
4K compliant (except 5 metre cable)
High-Speed (Category 2) with Ethernet
HDMI 1.4
Gold-plated connectors
Sheath outer diameter: 7.3 mm (0.29")
Conductor thickness: 30 AWG (American Wire Gauge)
Packaged Weight:
1 m: 0.06 kg (0.13 lb)
2 m: 0.12 kg (0.26 lb)
3 m: 0.18 kg (0.4 lb)
5 m: 0.31 kg (0.68 lb)
Packaged Dimension
1 m: 140 mm x 200 mm (5.5" x 7.9")
2 m: 220 mm x 320 mm (8.7" x 12.6")
3 m: 220 mm x 320 mm (8.7" x 12.6")
5 m: 220 mm x 320 mm (8.7" x 12.6")
Retail packaging
Part Numbers
TC 1MHDMIM [SAP:3265156] 1 metres (3.3 feet)
TC 2MHDMIM [SAP:3265157] 2 metres (6.6 feet)
TC 3MHDMIM [SAP:3265158] 3 metres (9.8 feet)
TC 5MHDMIM [SAP:3265159] 5 metres (16.4 feet)



HDMI to VGA Converter

Plugs into HDMI port on a laptop. Converts digital HDMI signal into analogue VGA signal. Ideal when you are presenting in an older presentation environment which only has VGA cable between the lecturn and projector.

HDMI-A (male) to VGA 15-pin D-Sub (female)
Colour: White
Maximum resolution: 1920 x 1080 @ 60 Hz (1080p Full HD)
Cable outer diameter: 5 mm (0.2")
VGA Chassis size: 45 x 45 x 15 mm (1.77" x 1.77" x 0.59")
HDMI plug size: 37 mm long x 20 mm wide (1.46" x 0.79")
Overall length: 230 mm (9.06")
Weight: 40 g (1.4 oz)
Supports HDMI 1.4b and HDCP 1.4
Packaged Weight:
0.45 g (1.6 oz)
Packaged Dimension:
170 mm x 220 mm (6.7" x 8.6")
Retail packaging
Part Number: TC-HDMIVGA [SAP:4191274]

SERIAL CABLES AND ADAPTORS



Serial Cable

Control systems for audio-visual and industrial applications use RS-232 which is a 2-way standard which allows the control system to send commands and receive feedback. RS-232 (and RS-485) uses serial cable which has 9-pin d-sub connectors which look like a VGA connector but instead of three rows of pins they only have two.

9-pin D-sub (female) to 9-pin D-sub (female)

Colour: White

Nickel-plated connectors

Sheath: PVC, outer diameter: 5 mm (0.20")

Conductor thickness: 28 AWG

Pins wired straight through

(i.e. 1 to 1, 2 to 1, etc)

Drain wire laid between aluminum mylar and braid

Al-Mg alloy wire overall

Shield: > 65% coverage braided shield

Impedance: at 10 MHz, 75Ω (coaxial cable)

Resistance 20°(Ω/1000 m) 237.25

Packaged Weight:

2 m: 0.09 kg (0.2 lb)

5 m: 0.23 kg (0.51 lb)

10 m: 0.45 kg (0.99 lb)

15 m: 0.68 kg (1.5 lb)

Packaged Dimension:

2 m: 220 mm x 320 mm (8.7" x 12.6")

5 m: 220 mm x 320 mm (8.7" x 12.6")

10 m: 220 mm x 320 mm (8.7" x 12.6")

15 m: 260 mm x 340 mm (10.2" x 13.4")

Conformity: CE, FCC, Retail packaging

Part Numbers:

TC 2MS [SAP:3265213] 2 m (6.6 feet)

TC 5MS [SAP:3265214] 5 m (16.4 feet)

TC 10MS [SAP:3265216] 10 m (32.8 feet)

TC 15MS [SAP:3265217] 15 m (49.2 feet)

Serial Extension Cable

9-pin D-sub (male) to 9-pin D-sub (female)

Colour: White

Nickel-plated connectors

Sheath: PVC, outer diameter: 5 mm (0.20")

Conductor thickness: 28 AWG

Pins wired straight through

(i.e. 1 to 1, 2 to 1, etc)

Drain wire laid between aluminum mylar and braid

Al-Mg alloy wire overall

Shield: > 65% coverage braided shield

Impedance: at 10MHz, 75Ω (coaxial cable)

Resistance 20°(Ω/1000 m) 237.25

Packaged Weight:

2 m: 0.09 kg (0.2 lb)

Packaged Dimension:

2 m: 220 mm x 320 mm (8.7" x 12.6")

Conformity: CE, FCC, Retail packaging

Part Numbers:

TC 2MSEXT [SAP:3265212] 2 m (6.6 feet)

USB to Serial Adaptor

Converts a USB port on a computer into a 9-pin serial port for RS-232 control applications.

USB-B (male) to 9-pin D-sub (male)

Includes female to female gender change adaptor

Colour: Black

Works with Mac and PC

Powered by USB

Nickel-plated connectors

Installed as standard COM port

Supports over 480 Mbps data transfer rate and 1.8V, 2.5V, 3.3V, 5.0V

Supports all RS-232 data signals; TxD, RxD, RTS, CTS, DSR,

DTR, DCD, RI, GND

FTDI chipset

Packaged Weight:

0.06 kg (0.13 lb)

Packaged Dimension:

170 mm x 220 mm (6.7" x 8.7") Retail packaging

Part Number:

TC-USBSER [SAP:3265219]



USB CABLES AND ADAPTORS

USB Cable

USB-A is the type of connector which plugs into your laptop. USB-B is the end that plugs into your printer.

- USB-A (male) to USB-B (male)
- Colour: White
- High speed USB 2.0 cable
- Ferrite cores on both ends to stop RF interference
- Gold-plated connectors
- Insulation: HDPE
- Sheath: PVC, outer diameter: 4.5mm (0.18")
- Conductor thickness: 28+24AWG
- Bandwidth: 480Mbit/s
- Shielding: > 65% coverage braided shield
- Compliance: CE, FCC

Packaged Weight:

- 1 m: 0.04 kg (0.09 lb)
- 2 m: 0.08 kg (0.18 lb)
- 3 m: 0.12 kg (0.26 lb)
- 5 m: 0.22 kg (0.49 lb)
- 10 m: 0.35 kg (0.77 lb)
- 15 m: 0.50 kg (1.1 lb)

Packaged Dimension:

- 1 m: 140 mm x 200 mm (5.5" x 7.9")
- 2 m: 220 mm x 320 mm (8.7" x 12.6")
- 3 m: 220 mm x 300 mm (8.7" x 11.8")
- 5 m: 220 mm x 300 mm (8.7" x 11.8")
- 10 m: 220 mm x 300 mm (8.7" x 11.8")
- 15 m: 220 mm x 300 mm (8.7" x 11.8")
- Retail packaging

Part Numbers:

TC 1MUSB [SAP:3265177] 1 metres (3.3 feet)
TC 2MUSB [SAP:3265178] 2 metres (6.6 feet)
TC 3MUSB [SAP:3004700] 3 metres (9.8 feet)
TC 5MUSB [SAP:3004951] 5 metres (16.4 feet)
TC 10MUSB+ [SAP:3244188] 10 metres (32.8 feet)
TC 15MUSB+ [SAP:3004953] 15 metres (49.2 feet)

*10+ and 15+ models have an in-line active booster (48 mm / 1.9" long x 25 mm / 0.98" wide) integrated half way along cable.
When used with Vision's Techconnect modular faceplate recommends using with the TC2 USB+ active booster module with all cables longer than 5m (16.4 ft).

USB Extension Cable

- USB-A (male) to USB-A (Female)
- Colour: White
- High speed USB 2.0 cable
- Ferrite cores on both ends to stop RF interference
- Gold-plated connectors
- Insulation: HDPE
- Sheath: PVC, outer diameter: 4.5mm (0.18")
- Conductor thickness: 28+24AWG
- Bandwidth: 480Mbit/s
- Shielding: > 65% coverage braided shield
- Compliance: CE, FCC

Packaged Weight:

- 1 m: 0.04 kg (0.09 lb)
- 2 m: 0.08 kg (0.18 lb)

Packaged Dimension:

- 1 m: 140 mm x 200 mm (5.5" x 7.9")
- 2 m: 220 mm x 320 mm (8.7" x 12.6")
- Retail packaging

Part Numbers:

TC 1MUSBEXT [SAP:3265181] 1 metres (3.3 feet)
TC 2MUSBEXT [SAP:3265182] 2 metres (6.6 feet)



VGA CABLES AND ADAPTORS



VGA Patch Cable

Plugs into the VGA socket on your computer – which is often blue – and connects to a display device at the other end. Note: for VGA cables pre-terminated for Vision's Techconnect Modular Faceplate [click here](#).

- VGA 15-pin D-Sub (male) to VGA 15-pin D-Sub (male)
- Colour: White
- Ferrite cores on both ends to stop RF interference
- Gold-plated connectors
- Sheath: PVC, outer diameter: 8.0 mm (0.31")
- Conductor thickness: 28 AWG
- Drain wire laid between aluminum mylar and braid
- Al-Mg alloy wire overall, more than 65% coverage braided shield
- Impedance: at 10MHz, 75Ω (coaxial cable)
- Resistance 20°(Ω/1000m) 237.25.
- Compliance: CE, FCC

Packaged Weight:

- 1 m: 0.09 kg (0.20 lb)
- 2 m: 0.17 kg (0.37 lb)
- 3 m: 0.22 kg (0.49 lb)
- 5 m: 0.50 kg (1.1 lb)
- 10 m: (TBA)
- 15 m: (TBA)
- 20 m: (TBA)

Packaged Dimensions:

- 1 m: 220 mm x 270 mm (8.7" x 10.6")(TBA)
- 2 m: 220 mm x 270 mm (8.7" x 10.6")
- 3 m: 220 mm x 270 mm (8.7" x 10.6")
- 5 m: 260 mm x 320 mm (10.2" x 12.6")
- 10 m: (TBA)
- 15 m: (TBA)
- 20 m: (TBA)
- Retail packaging

Part Numbers:

- TC 1MVGAP [SAP:3546047] 1 meter (3.3 feet)
- TC 2MVGAP [SAP:3265174] 2 meters (6.6 feet)
- TC 3MVGAP [SAP:3265175] 3 meters (9.8 feet)
- TC 5MVGAP [SAP:3265176] 5 meters (16.4 feet)
- TC 10MVGAP [SAP:3480006] 10 meters (32.8 feet)
- TC 15MVGAP [SAP:3480007] 15 meters (49.2 feet)
- TC 20MVGAP [SAP:3480008] 20 meters (65.6 feet)



Vision is an Azlan Logistics brand.

Warehouse Address:

Harrier Parkway

Magna Park

Lutterworth

Leicester

Leicestershire

LE17 4XT

UK

Registered Office Address:

Redwood 2,

Chineham Business Park

Crockford Lane

Basingstoke

Hampshire

RG24 8WQ

UK



VISION
visionaudiovisual.com