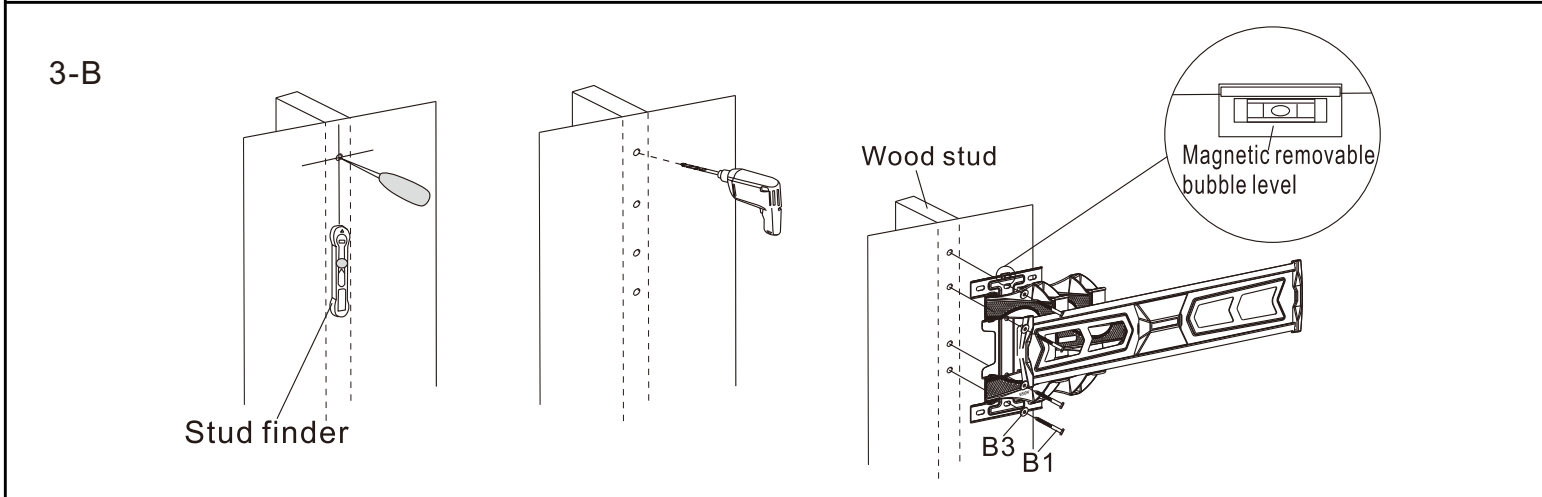
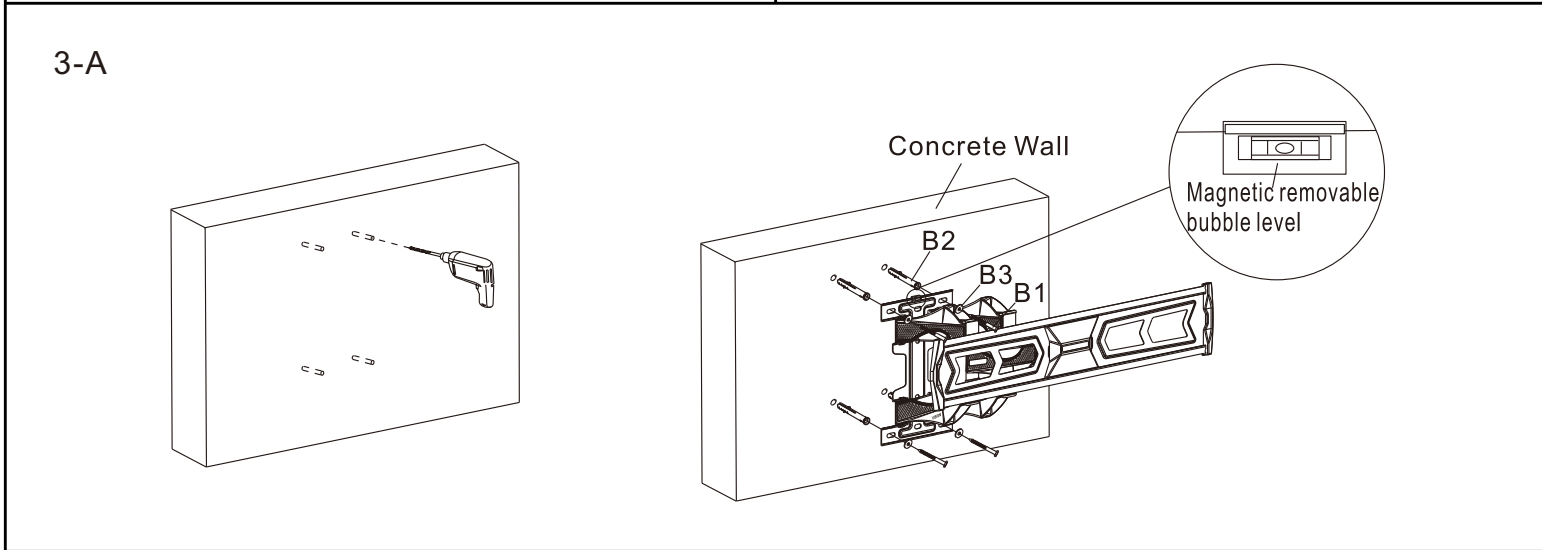
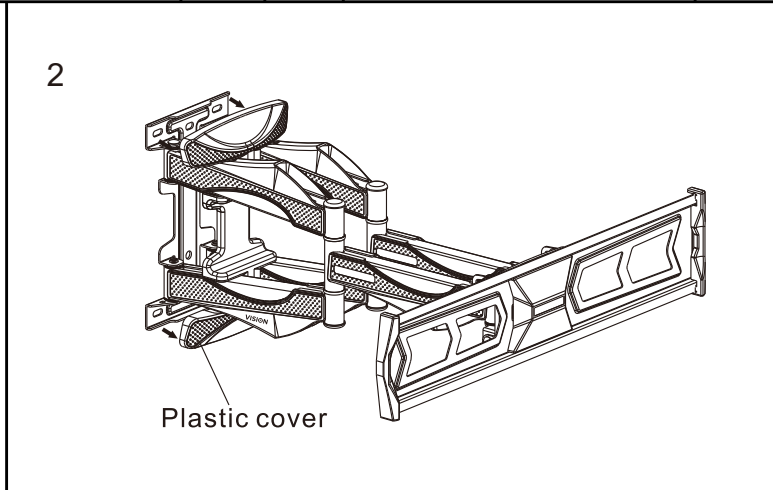
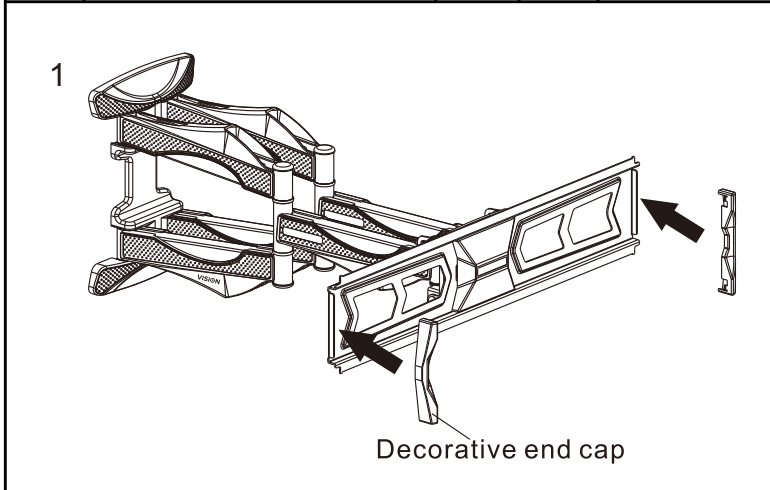


VISION

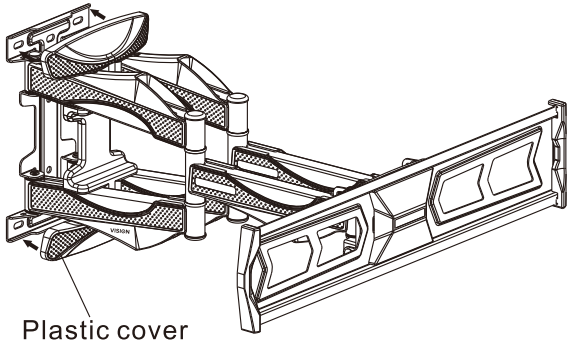
VFM-WA4X4



A1(1)	M4X12MM		x4	A1(2)	M4X25MM		x4	A2(1)	M5X12MM		x4	A2(2)	M5X25MM		x4
A3(1)	M6X12MM		x4	A3(2)	M6X25MM		x4	A4(1)	M8X16MM		x4	A6		x4	
A4(2)	M8X25MM		x4	A5		x4	A6		x4	B3		x4			
B1		x4	B2		x4	B3		x4							

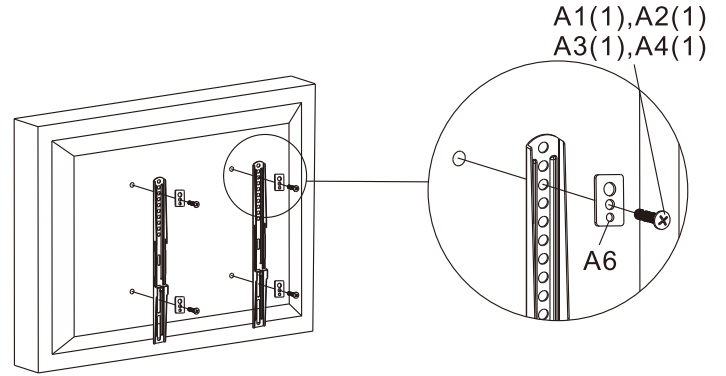


4



Plastic cover

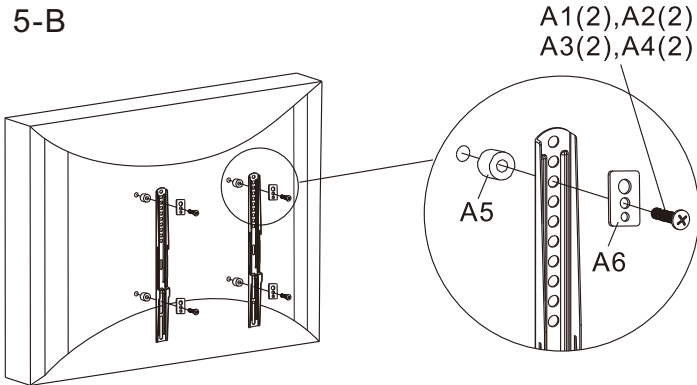
5-A



A1(1),A2(1)
A3(1),A4(1)

A6

5-B

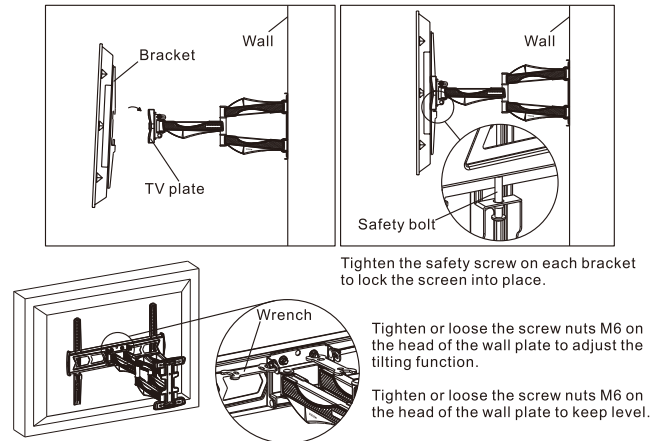


A1(2),A2(2)
A3(2),A4(2)

A5

A6

6



Bracket

Wall

TV plate

Wall

Safety bolt

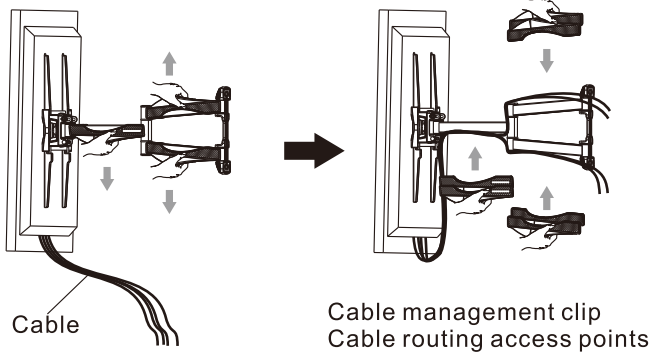
Wrench

Tighten the safety screw on each bracket to lock the screen into place.

Tighten or loose the screw nuts M6 on the head of the wall plate to adjust the tilting function.

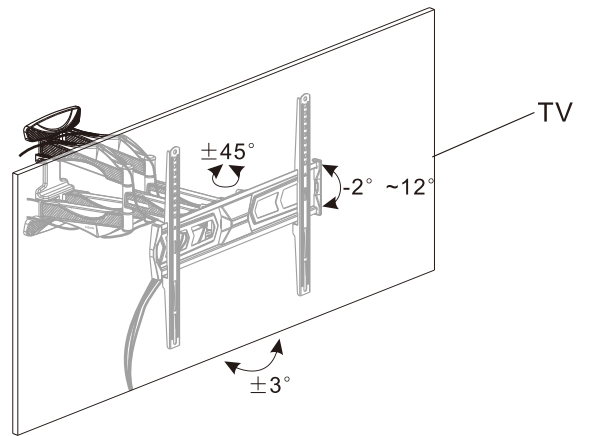
Tighten or loose the screw nuts M6 on the head of the wall plate to keep level.

7



Cable

Cable management clip
Cable routing access points



TV

±45°

-2° ~12°

±3°