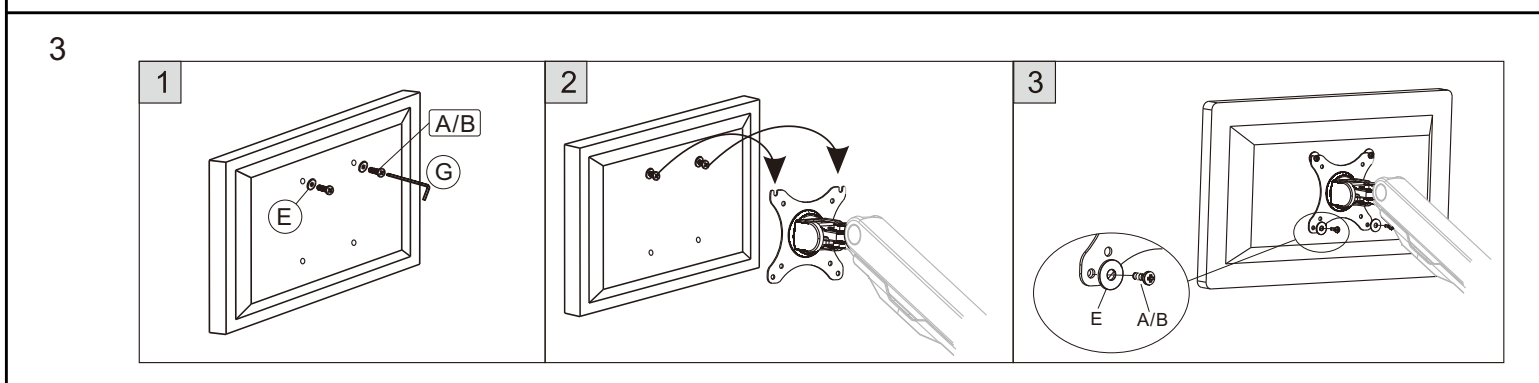
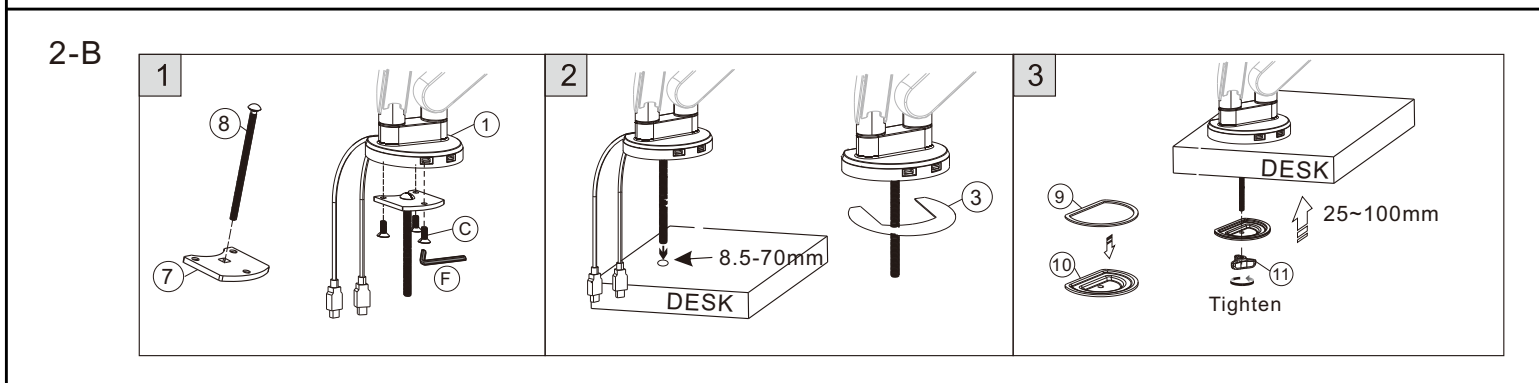
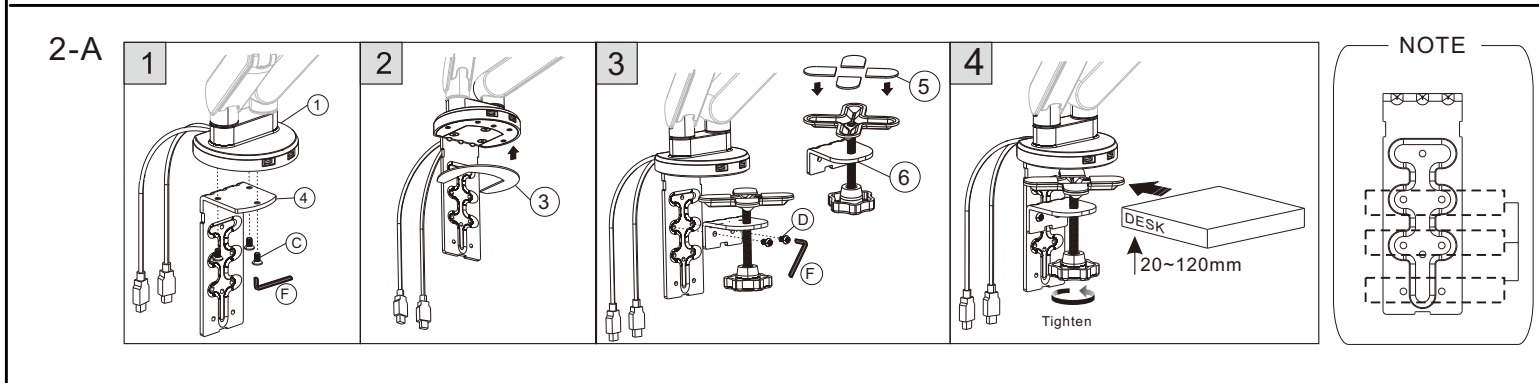
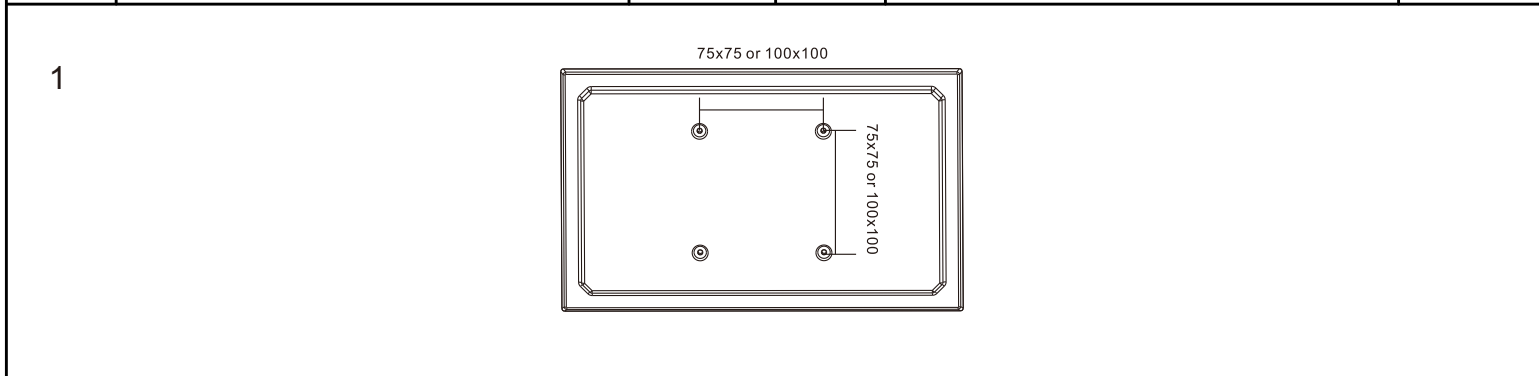


VISION



VFM-DAD2

(A)	M4X12MM		x8	(B)	M5X12MM		x8
(C)	M6X12MM		x3	(D)	M6X14MM		x2
(E)	φ6.5xφ13x1.8		x16	(F)	4X4MM		x1
(G)	5X5MM		x1				



4

