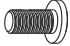
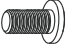










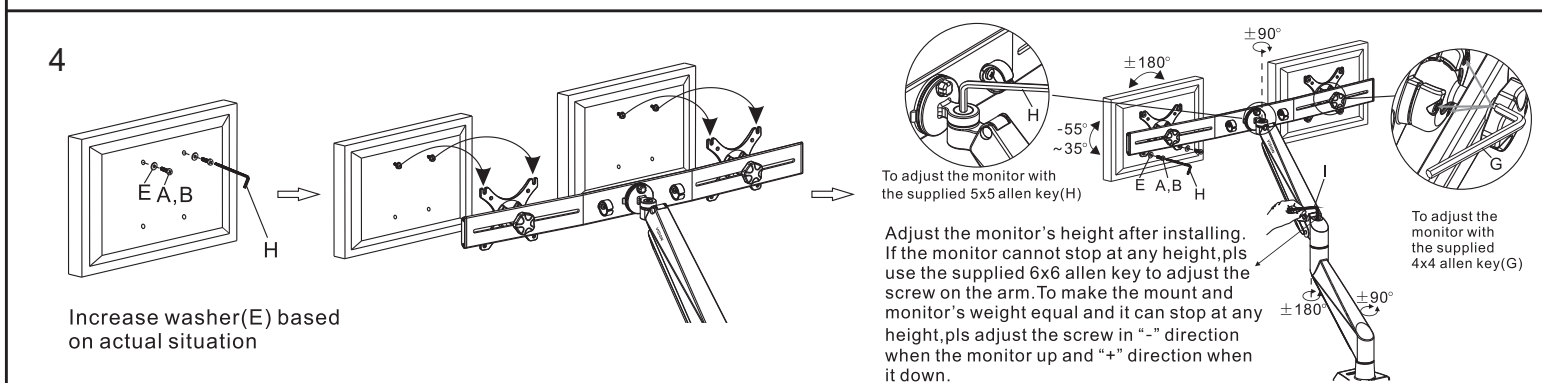
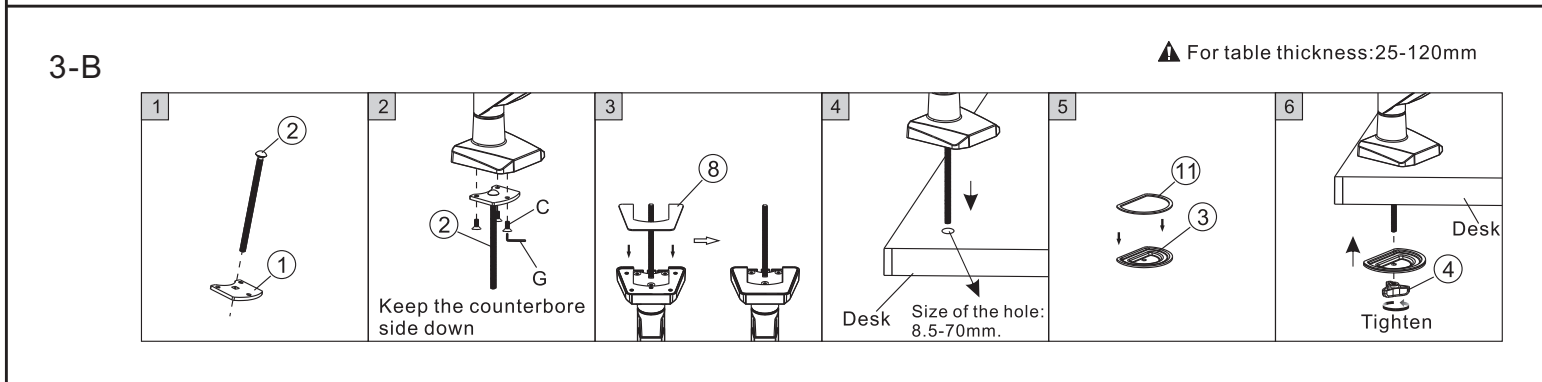
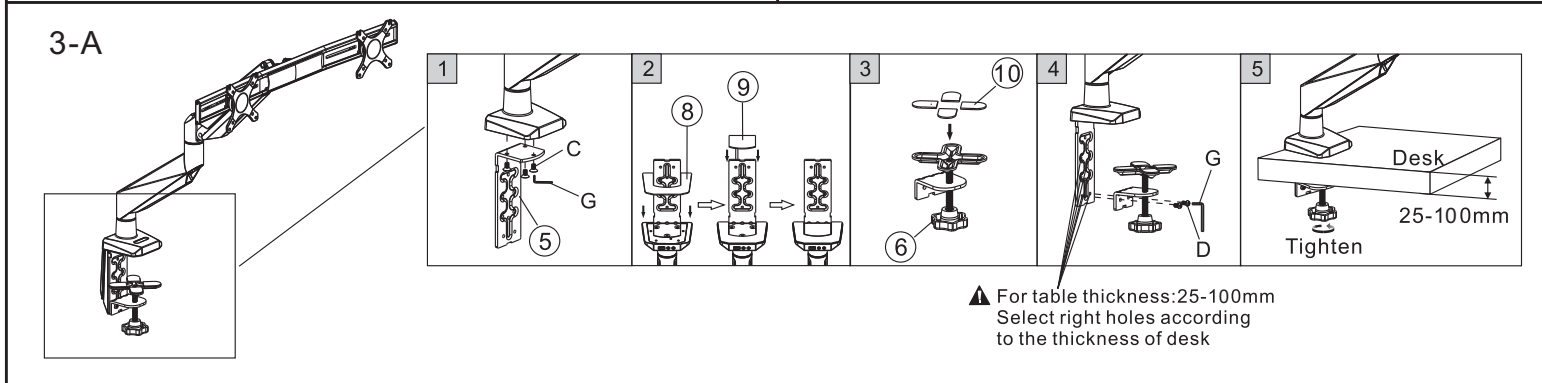
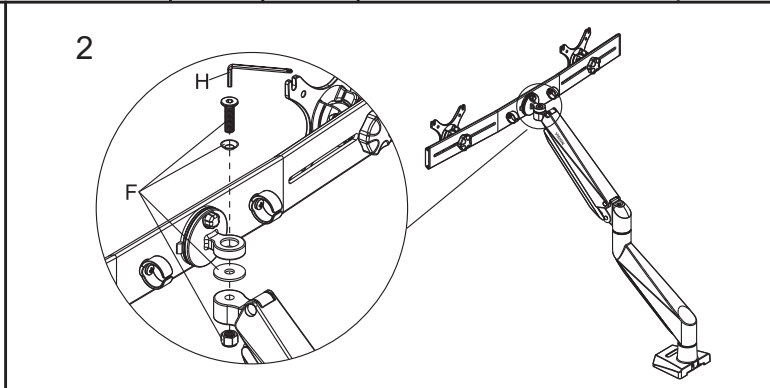
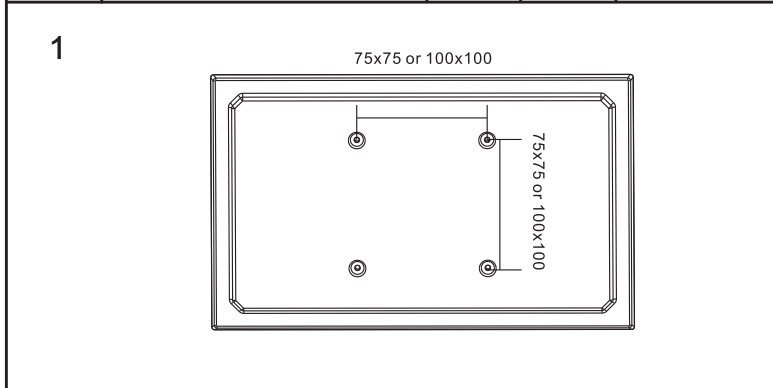


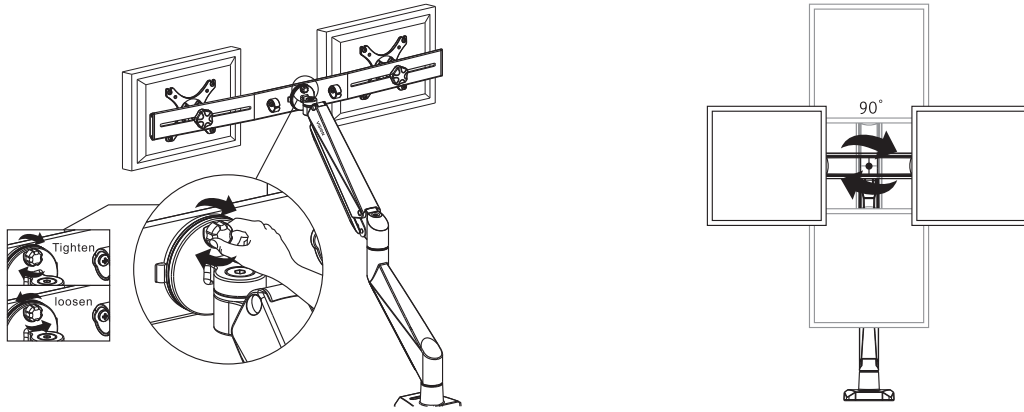
# VISION

## VFM-DAD

(A)	M4X12MM		x8	(B)	M5X12MM		x8				
(C)	M6X12MM		x3	(D)	M6X14MM		x2				
(E)	φ 6.5Xφ 13X2.0		x16	(F)		   	1/1/1/1				
(G)	4X4MM		x1	(H)	5X5MM		x1	(I)	6X6MM		x1



5



6

