
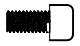









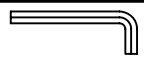


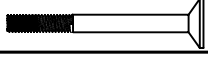
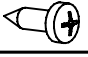
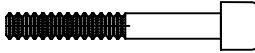


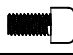

TM-IFP

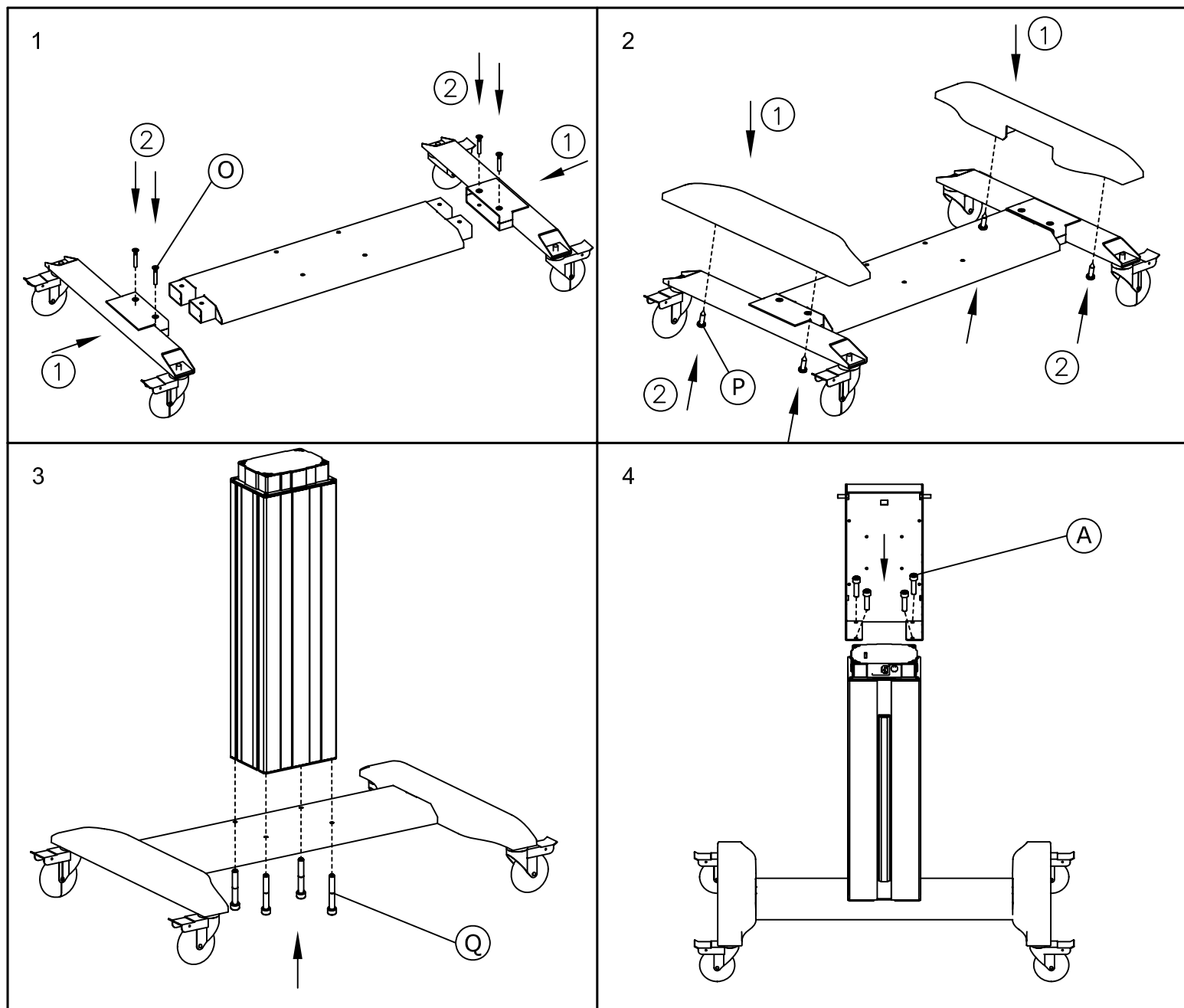
(A)	M8×30mm		×4	(B)	M6×12mm		×4
(C)	M8×16mm		×6	(D)	M10		×2
(E)	M8×30mm		×4	(F)	ST8×45mm		×5
(G)	∅8		×17	(H)	∅10×50mm		×5
(I)	∅10		×4	(J)			×1
(K)	6mm		×1	(L)	5mm		×1
(M)	M8		×8	(N)	∅8		×8

TM-IFP WHEELS

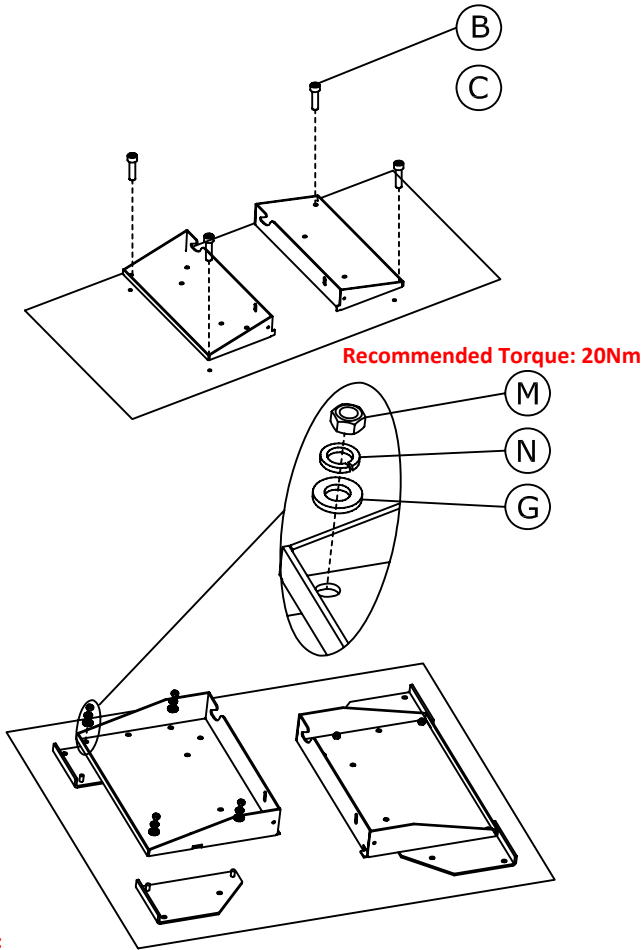
(O)	M8×60mm		×4	(P)	ST4×12mm		×4
(Q)	M8×80mm		×4				

TM-IFP SHELF

(B)	M6×12mm		×8	(R)	ST3×12mm		×6
-----	---------	---	----	-----	----------	---	----

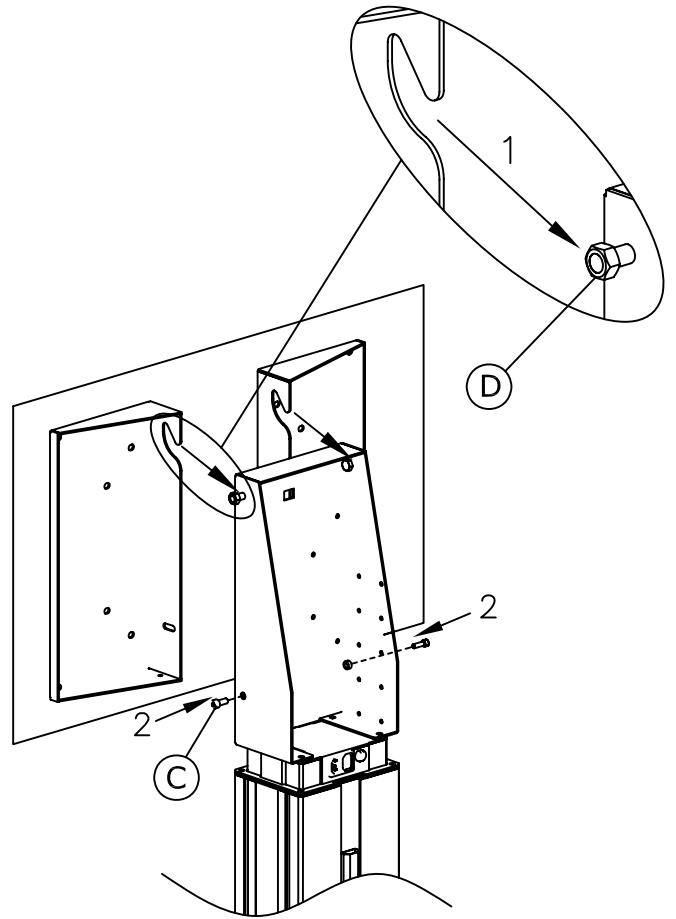


5

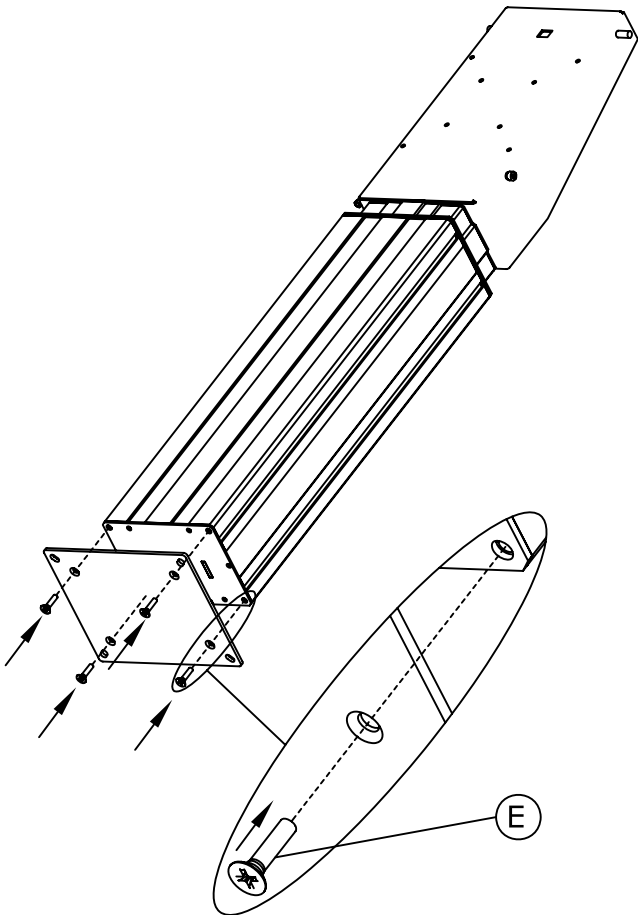


GUIDANCE:
20Nm is equivalent to a 2kg load being placed on the end of a 1m ratchet handle.

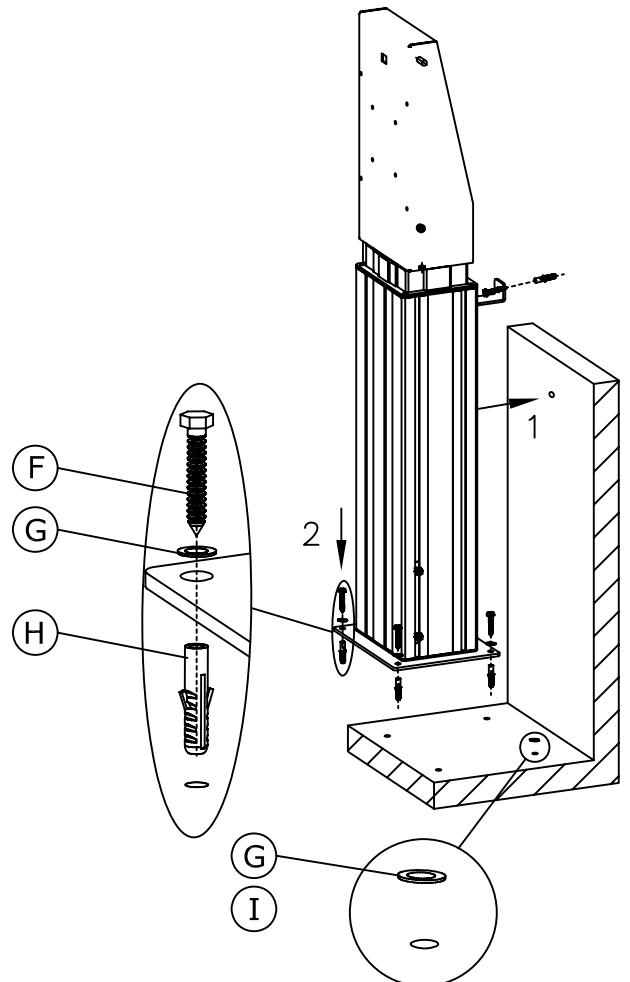
6



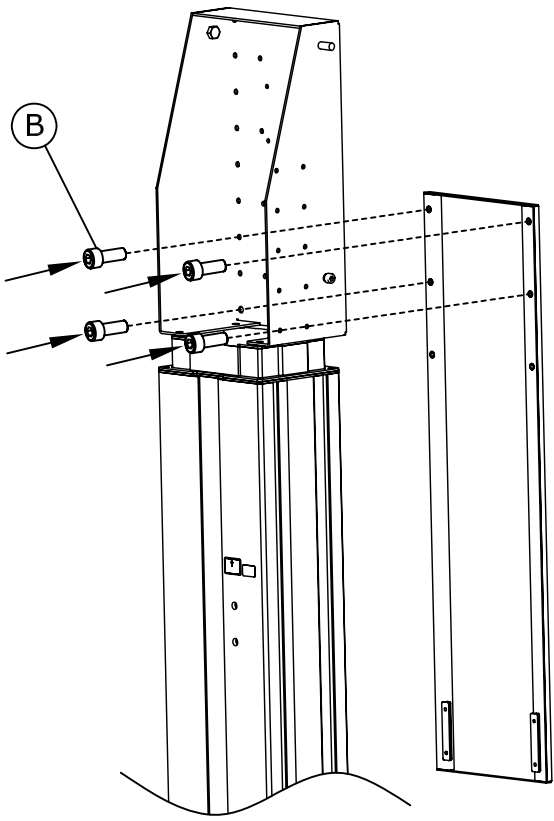
7



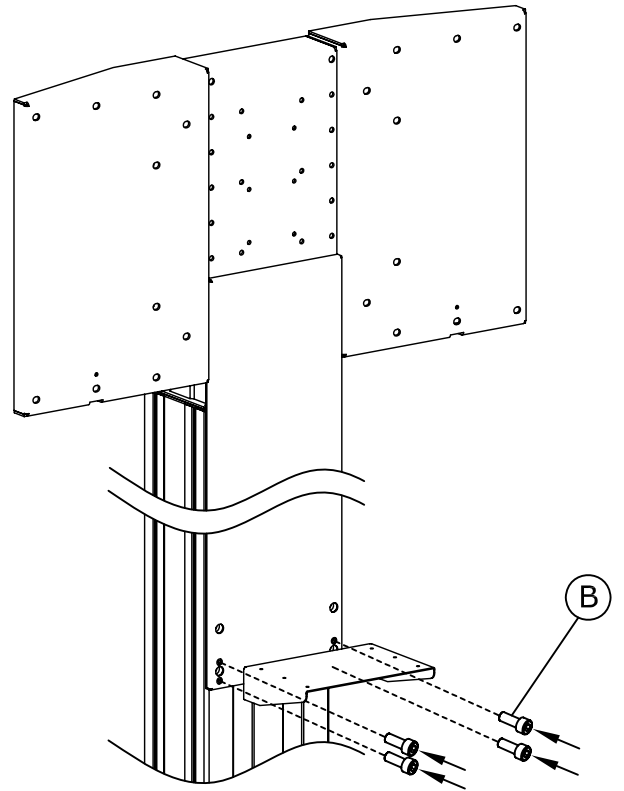
8



9



10



11

