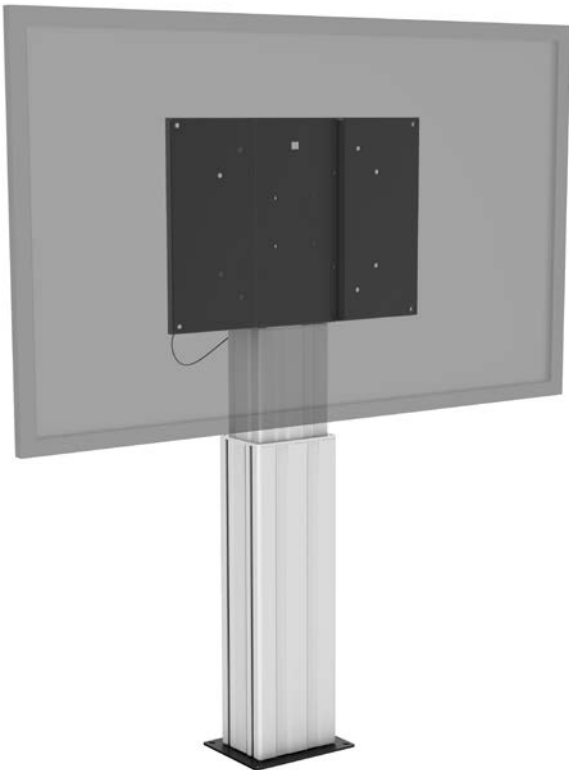


TM-IFP OWNERS MANUAL



www.visionaudiovisual.com/techmount/tm-ifp

DECLARATION OF CONFORMITY

Where applicable Vision products are certified and comply with all known local regulations to a 'CB Certification' standard. Vision commits to ensure all products are fully compliant with all applicable certification standards for sale in the EU and other participating countries.

The product described in this owner manual is in compliance with RoHS (EU directive 2002/95/EC), and WEEE (EU directive 2002/96/EC) standards. This product should be returned to the place of purchase at the end of its useful life for recycling.

WARNINGS

During installation take care to adhere to workplace health and safety laws:

- Do not cut or drill any parts above head height. This should all be done using the correct safety equipment at floor level.
- Avoid overstretching which might result in the ladder tipping over.
- SWL (safe working load): Flat Panel: 127 kg
- Ensure it is installed in an appropriate place – for example not obstructing an emergency exit.



IN THE LOWEST POSITION THE BOOM AND PROJECTOR CAN PRESENT A HEAD HEIGHT HAZARD

- Check stability after installation.
- Installation must be done by a specialist audio-visual installer
- Allow 500mm x 500mm space around the bracket.
- Avoid installing in a moist environment, or in direct sunshine, or near corrosive gas or liquid.
- Routing of cables through the bracket must comply with local regulations.



ENSURE POWER CABLE IS NOT TWISTED, SQUEEZED, OR SHEARED!

All products are designed and imported into the EU by 'Vision' who is wholly owned by 'Azlan Logistics Ltd.', Registered in England Nr. 04625566 at Lion House, 4 Pioneer Business Park, Clifton Moor, York, YO30 4GH. WEEE Registration: GD0046SY





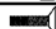

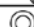


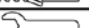






DECLARATION OF ORIGIN

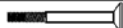


All Vision products are made in the People's Republic of China (PRC).

ACCESSORIES



TM-IFP

(A)	M8×30mm		×4	(B)	M6×12mm		×4
(C)	M8×16mm		×6	(D)	M10		×2
(E)	M8×30mm		×4	(F)	ST8×45mm		×5
(G)	∅8		×17	(H)	∅10×50mm		×5
(I)	∅10		×4	(J)			×1
(K)	6mm		×1	(L)	5mm		×1
(M)	M8		×8	(N)	∅8		×8

TM-IFP WHEELS

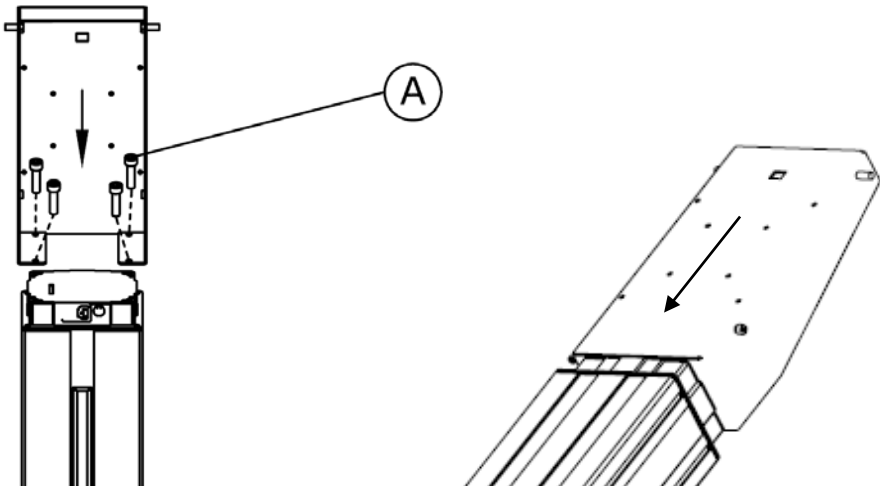
(O)	M8×60mm		×4	(P)	ST4×12mm		×4
(Q)	M8×80mm		×4				

TM-IFP SHELF

(B)	M6×12mm		×8	(R)	ST3×12mm		×6
-----	---------	---	----	-----	----------	---	----

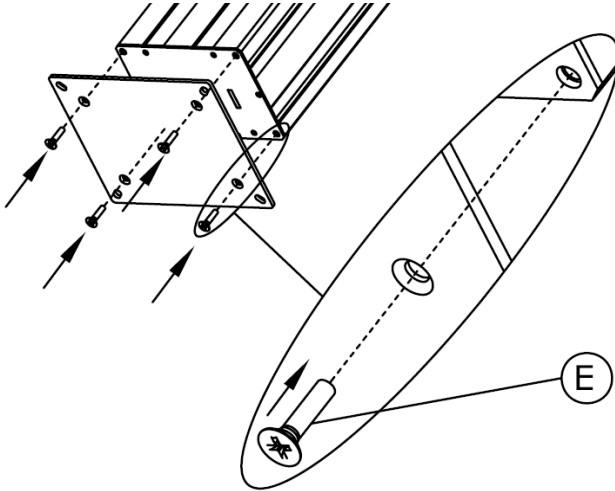
ASSEMBLY

1. ATTACH TOP ASSEMBLY TO TOP OF COLUMN



2. **IF FIXING TO FLOOR**

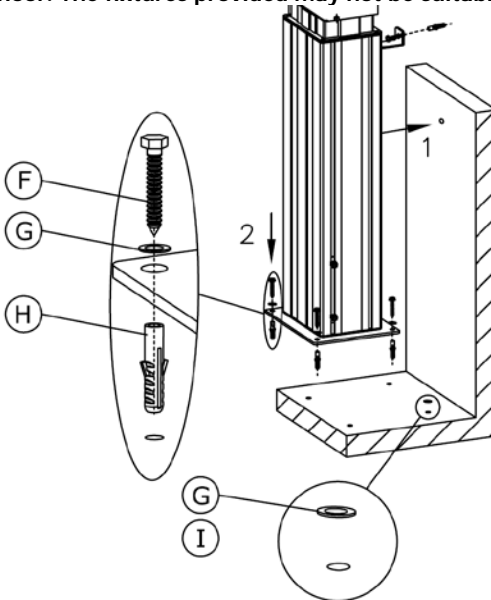
- a. **FIX FLOOR PLATE TO BOTTOM OF COLUMN**



- b. **FIX COLUMN ASSEMBLY TO WALL**

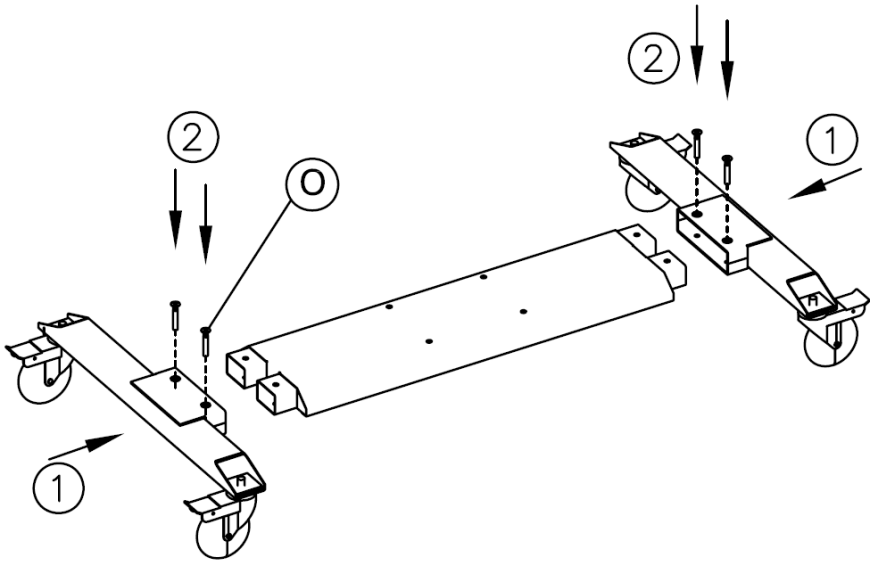


Ensure the correct fixtures are used to attach the Techmount to the wall and floor. The fixtures provided may not be suitable for your application.

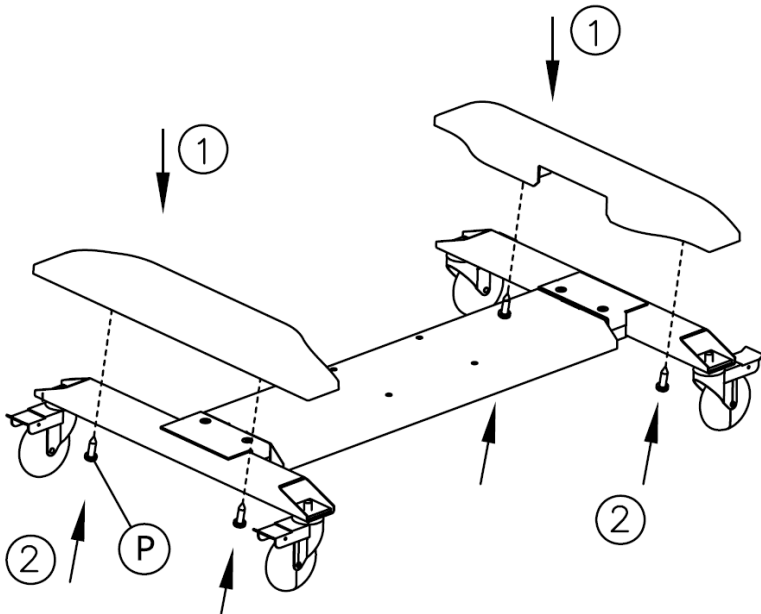


3. IF FIXING TO OPTIONAL WHEELS

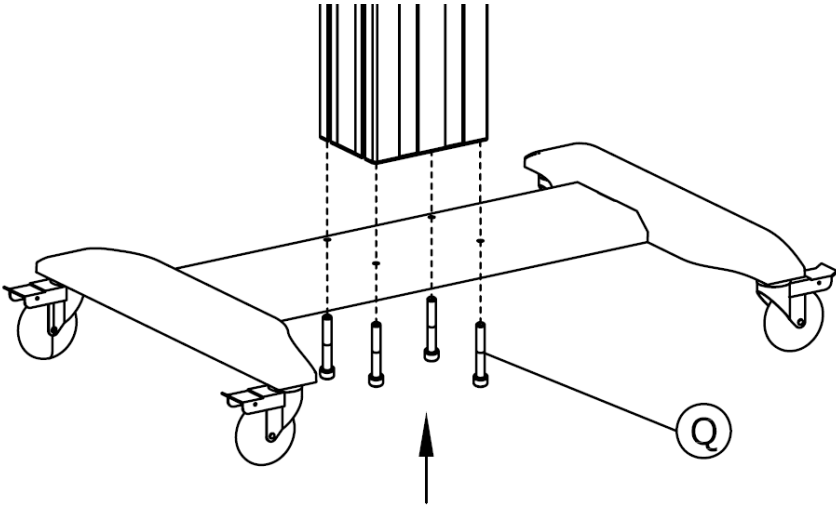
a. ASSEMBLE WHEEL ASSEMBLY AS SHOWN



b. ATTACH THE COVERS

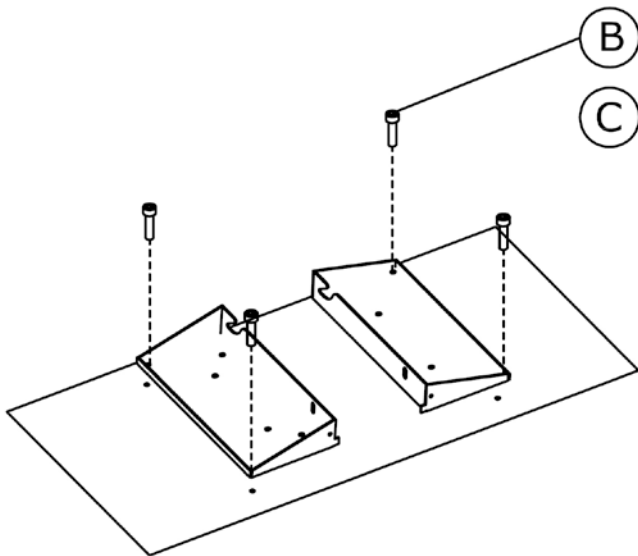


c. ATTACH ASSEMBLY TO COLUMN



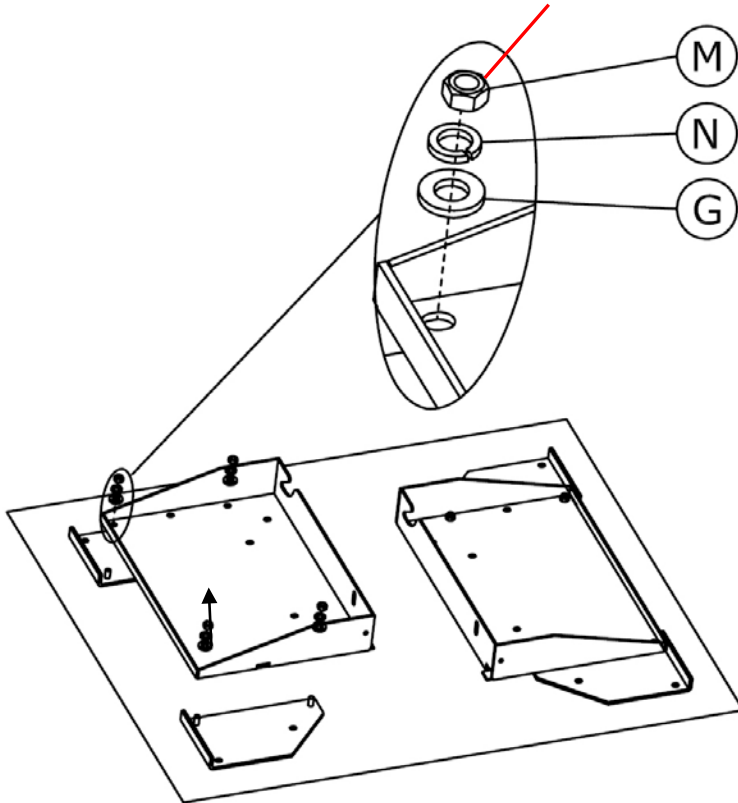
4. FIX FLAT-PANEL BRACKETS TO REAR Common M6 and M8 bolts are included. See the flat-panel manual to check which bolts to use.

NOTE: Flat panels use standard bolts. If the bolts you need are not included they are available at hardware stores.



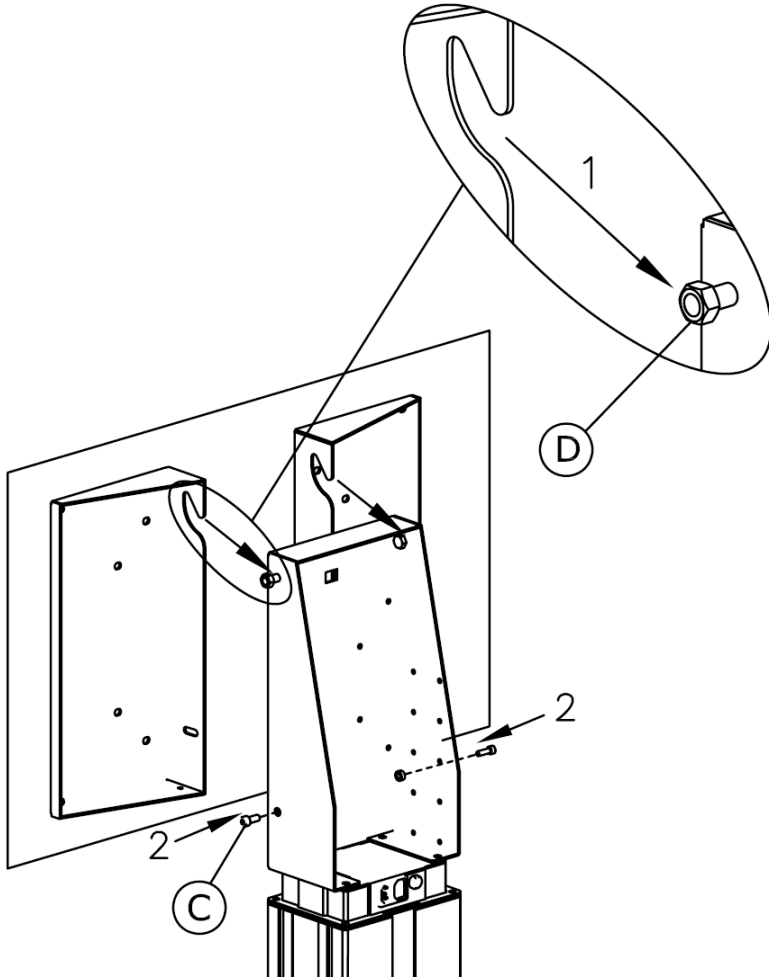
For large screens extension ears are included:

Recommend Torque: 20Nm



GUIDANCE: 20Nm is equivalent to a 2kg load being placed on the end of a 1m ratchet handle.

5. HANG FLAT-PANEL ASSEMBLY ON COLUMN Once in place fit locking screws (step 2).



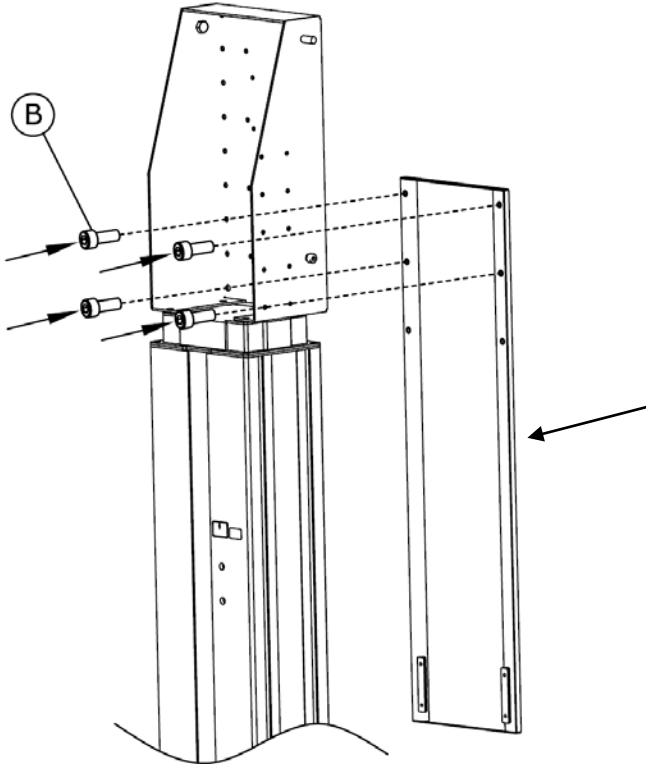
ADJUSTING STOP SWITCH

A feature of newer models is a plug which can be inserted into holes on the rear of the column to set the height limit. A limiting switch inside is activated by the plug.

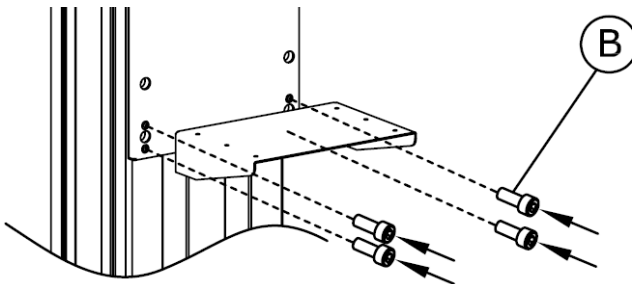
Set to height as required.

FITTING OPTIONAL SHELF

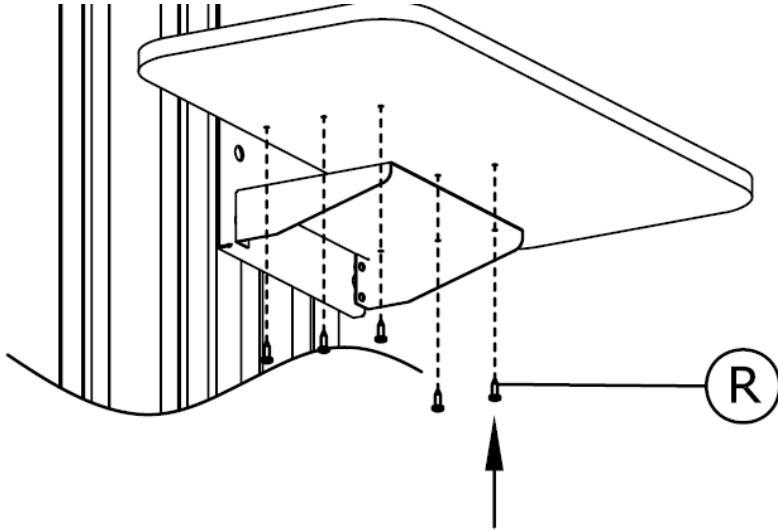
1. FIT COLUMN TO TOP ASSEMBLY as shown to support shelf BELOW screen



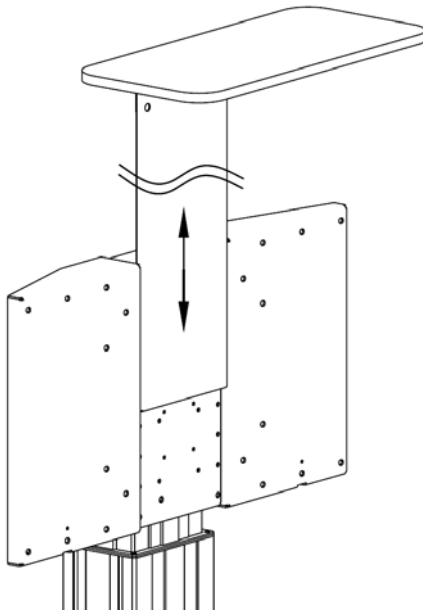
2. FIT SHELF BRACKET



3. FIT SHELF



NOTE: to mount the shelf ABOVE the screen mount as shown:



SPECIFICATIONS

PRODUCT DIMENSIONS:

Without wheels: 1680 x 635 x 210 mm (height x width x depth in lowest position)

With wheels: 1850 x 949 x 740 mm (height x width x depth in lowest position)

PRODUCT WEIGHT:

TM-IFP: 43 kg

TM-IFP WHEELS: 13 kg

TM-IFP SHELF:

SAFE WORKING LOAD:

Fixed to floor: 90" flat panel / 115 kg (253 lbs)

Portable (with wheels): 75" flat panel / 90kg (198 lbs)

CONSTRUCTION MATERIAL: Aluminium and Steel

COLOUR: Black and Aluminium

VESA SIZES:

800 x 600 mm

800 x 400 mm

600 x 400 mm

500 x 500 mm

400 x 400 mm

400 x 300 mm

400 x 200 mm

300 x 300 mm

200 x 400 mm

200 x 200 mm

100 x 100 mm

75 x 75 mm

TECHNICAL DETAILS:

Motor Type: Linear-drive

Rated Cycles: 12000

Speed: 15mm/s

Pushing Force: 2000N

Pulling Force: 1800N

Travel Distance: 500mm

POWER SUPPLY: 240V 4.1A Internal Power Supply

ACCESSORIES:

1 x IEC C13 Power cable Male to Female 1.0m (3 ft) long

1 x EU IEC Power cable 1.8m (6 ft) long

1 x UK IEC Power cable 1.8m (6 ft) long

1 x AU IEC Power cable 1.8m (6 ft) long

2 x Wall bracket

LIFETIME RETURN-TO-BASE WARRANTY

This product comes with a lifetime return to base warranty. If you have a problem you are required to provide a DETAILED DESCRIPTION of the fault.

Some Vision products are very technical and require troubleshooting all elements of the installation as it may not be the Vision product at fault. Because of this the manufacturer may refuse to replace the item if an adequate description is not provided.

- This warranty applies only to the original purchaser and is not transferable.
- This warranty protects you against the following:
 - Failure of any components, including the power supply.
 - Damage when the product is first removed from its packaging if reported within 24 hours of purchase.
- If the product is DOA (dead on arrival), you have 21 days from purchase date to notify the national distributor via your AV reseller.
- The original purchaser is responsible for shipment of the product to the Vision's appointed service centre.
- The liability of Vision is limited to the cost of replacement of the faulty unit under warranty except for death or injury (EU85/374/EEC).
- If the product is end of line (EOL) the Vision will provide a credit instead of replacement.
- This warranty does not protect this product against faults caused by abuse, misuse, incorrect installation, unstable or faulty power input, or modification.

Vision aims to send a replacement item within 5 working days however this may not always be possible, in which case it will be sent as soon as practicably possible. UK End users and resellers can request support at <http://www.visionaudiovisual.com/support>

LEGAL DISCLAIMER: Because we are committed to improving our products, the details above may change without prior warning. This User Manual is published without warranty and any improvements or changes to the User Manual necessitated by typographical errors, inaccuracies of current information, or improvements to programs and/or equipment, may be made at any time and without notice. Such changes will be incorporated into new editions of the User Manual.