

TM-CAGE OWNERS MANUAL



www.visionaudiovisual.com/techmount/tm-cage

DECLARATION OF CONFORMITY

Where applicable Vision products are certified and comply with all known local regulations to a 'CB Certification' standard. Vision commits to ensure all products are fully compliant with all applicable certification standards for sale in the EU and other participating countries.

The product described in this owner manual is in compliance with RoHS (EU directive 2002/95/EC), and WEEE (EU directive 2002/96/EC) standards. This product should be returned to the place of purchase at the end of its useful life for recycling.

WARNINGS

During installation take care to adhere to workplace health and safety laws:

- Attach this product to a rated load-bearing structure.



NEVER MOUNT CAGE OR BRACKET DIRECTLY TO A FALSE CEILING!

- Do not cut or drill any parts above head height. This should all be done using the correct safety equipment at floor level. It can be attached to brick/masonry ceilings.
- Avoid overstretching which might result in the ladder tipping over.
- SWL (safe working load): 7kg
- Ensure it is installed in an appropriate place – for example not obstructing an emergency exit.
- Ensure it is at least 2000mm above the ground to prevent accidental injury.
- Check stability after installation.
- Installation must be done by a specialist audio-visual installer
- Allow 500mm x 500mm clear space around the bracket.
- Avoid installing in a moist environment, or in direct sunshine, or near corrosive gas or liquid.
- Routing of cables through the bracket must comply with local regulations.
- Side panels should not obstruct the lens, connectivity, and airflow access.



ENSURE POWER CABLE IS NOT TWISTED, SQUEEZED, OR SHEARED!

This product is a theft deterrent and does not guarantee the security of your projector. Alarm batteries should be tested at time of installation and annually. Vision's liability is limited to the terms set out in the warranty.

All products are designed and imported into the EU by 'Vision' who is wholly owned by 'Azlan Logistics Ltd.', Registered in England Nr. 04625566 at Lion House, 4 Pioneer Business Park, Clifton Moor, York, YO30 4GH. WEEE Registration: GD0046SY

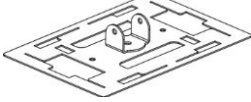


DECLARATION OF ORIGIN

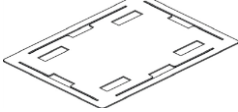
All Vision products are made in the People's Republic of China (PRC).

CONTENTS

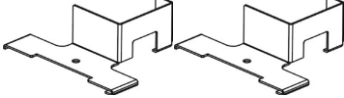
1 x Top Plate [SPCC]



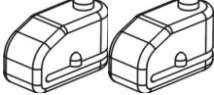
1 x Bottom Plate [SPCC]



2 x Access Prevention Collars [SPCC]



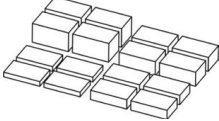
2 x Disk locks with two keys



1 x Lock Hex Key



16 x Foam Blocks [EVA]



SOLD SEPERATELY:

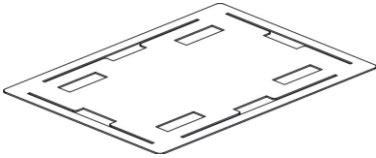
8 x Side Panels [SPCC]



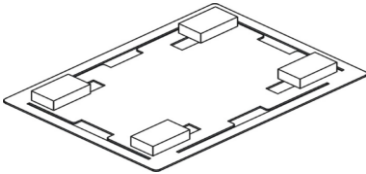
INSTALLATION

NOTE: For the most secure result cage should conform as closely as possible to the size of projector.

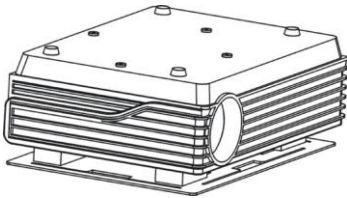
1. **START WITH BOTTOM PLATE** Set bottom plate on level, non-scratch surface.



2. **ADD FOAM BLOCKS** Set foam blocks on each corner of plate.

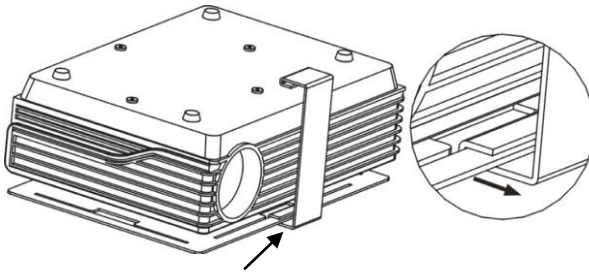


3. **PUT PROJECTOR ON BLOCKS** Projector should be upside-down. Locate blocks so they do not push projector function buttons.

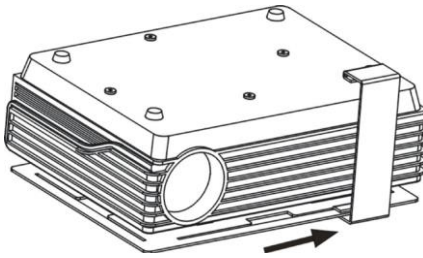


4. FIT SIDE PANELS TO **LONG SIDES**

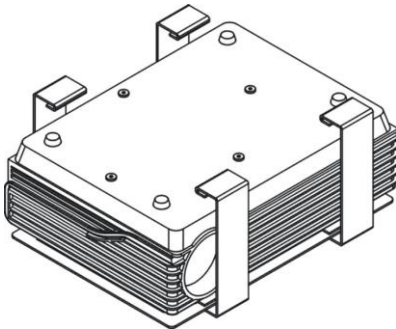
Step 1: Hook the side panel in the notch at the centre.



Step 2: Slide panel towards corner until it stops.

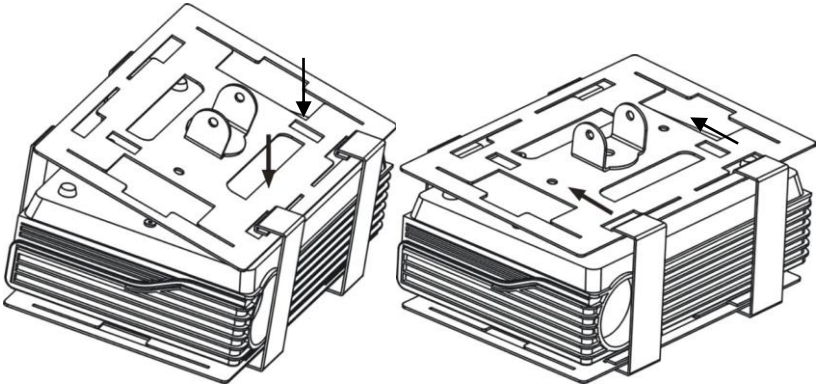


Step 3: Repeat as shown:

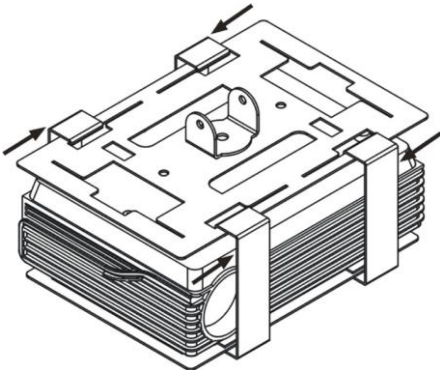


NOTE: As long as projector cannot be manoeuvred inside cage one side panel can be left off to avoid obstructing projector lens.

5. **FIT TOP PLATE** Locate the top plate over the projector and hook to the side panels already in place one side at a time. No force should be required.

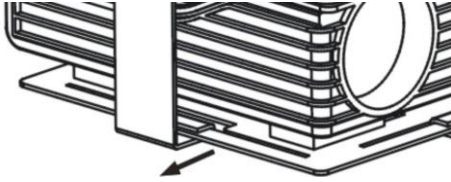


6. **SLIDE SIDE PANELS TOWARDS CENTRE** Until they stop.

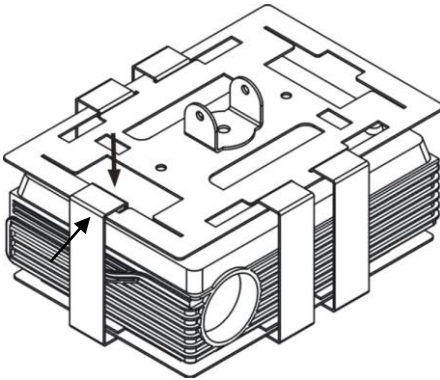


7. FIT SIDE PANELS TO **SHORT SIDES**

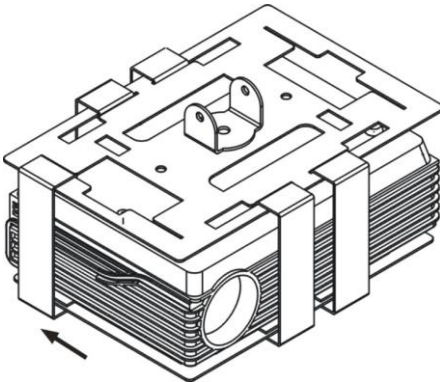
Step 1: Hook the side panel in the notch at the centre.



Step 2: Hook top of side panel to top plate.

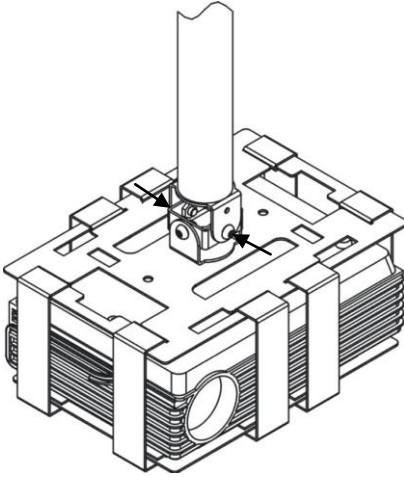


Step 3: Slide panel towards corner until it stops.



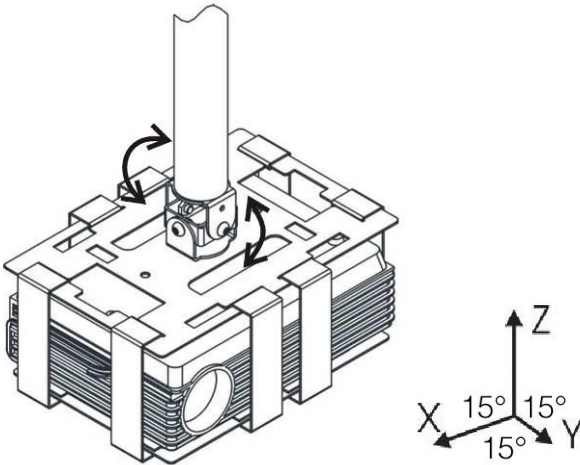
Step 4: Repeat until all side panels in place.

8. FIT CAGE ASSEMBLY TO PROJECTOR MOUNT Follow the instructions to install the ceiling mount correctly, drop cables down the pole, then attach cage using pin-hex security bolts which come with Vision mounts.

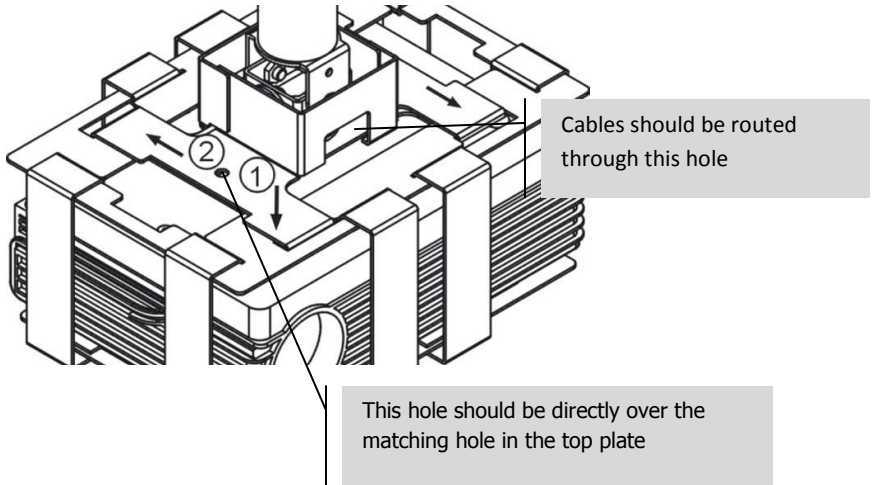


9. PLUG CABLES IN

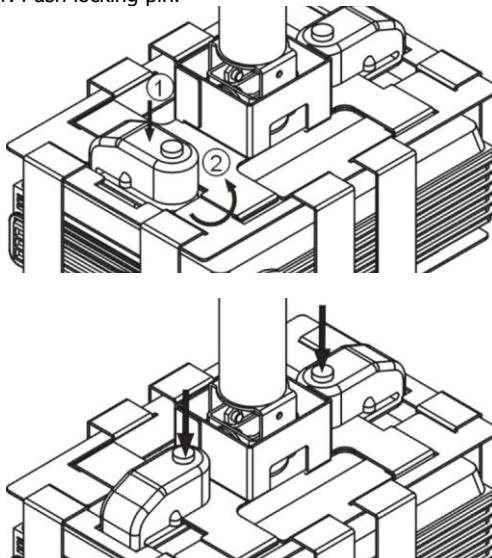
10. TURN ON AND ADJUST Fine Tune pitch and roll of the projector.
Tighten bolts.



11. FIT COLLARS Lower collar onto top plate. Locate locking notches, push down, slide into place.



12. FIT LOCKS Lower lock into holes as shown. Turn 90° Locating locking pin over hole on top collar. Push locking pin.



Reverse steps to uninstall projector.

LOCKS

6 x LR44 (AG13) batteries are pre-installed in each lock.

1. When locked it will beep once to confirm it is armed. After 15 seconds it becomes active.
2. When moved it will emit 3 warning beeps. After 5 seconds of continued movement the alarm will sound.
3. When the alarm is sounding, if movement ceases for 35 seconds the alarm will stop sounding and return to active mode.

Lock sensitivity cannot be adjusted.

NOTE: The two keys included are not keyed alike – they are specific to each lock. The two keys are common to all Vision cages.

SPECIFICATIONS

PLATE PACKAGE SIZES

Small: Accommodates projectors up to 315 x 235mm

Medium Accommodates projectors up to 375 x 300mm

SIDE PANEL SIZES

Sold separately. Necessary to make up a complete cage.

80mm

100mm

120mm

160mm

BOX DIMENSIONS

Small Plate Package 286 x 287 x 84mm

Medium Plate Package 326 x 222 x 77mm

80mm Side Package 98 x 87 x 66mm

100mm Side Package 118 x 87 x 66mm

120mm Side Package 138 x 87 x 66mm

160mm Side Package 178 x 87 x 66mm

PACKAGED WEIGHT

Small Plate Package 3.8 kg
Medium Plate Package 4.8 kg
80mm Side Package 1.0 kg
100mm Side Package 1.1 kg
120mm Side Package 1.2 kg
160mm Side Package 1.4 kg

SAFE WORKING LOAD 7kg

COLOUR Satin White

WARRANTY

This product comes with a 2-year return to base warranty, effective from the date of purchase. This warranty applies only to the original purchaser and is not transferable. For the avoidance of doubt, this will be taken from the information held by the appointed national distributor at the point of sale. The liability of the manufacturer and its appointed service company is limited to the cost of repair and or replacement of the faulty unit under warranty, except for death or injury (EU85/374/EEC). This warranty protects you against the following:

- Faulty welds resulting in the product not safely performing its task within the recommended SWL (safe working load).
- Poor finishing resulting in the product not being able to be assembled.
- External corrosion if identified within 24 hours of purchase. The inside of the pipe is not powder-coated, so light corrosion may develop over time. This is normal and does not adversely affect the load-bearing capability of the product, therefore it is not covered in this warranty.

If you find you do have a problem with this product, you should contact the AV reseller you purchased this product from. The original purchaser is responsible for shipment of the product to the manufacturer's appointed service centre for repair. We will endeavour to return repaired units within 5 working days, however this may not always be possible in which case it will be returned as soon as practically possible. This warranty does not protect this product against faults caused by abuse, misuse, or incorrect installation which might be caused by ignoring the guidelines set out in this manual. If failure is not covered by this warranty, the owner will be given the option to pay for labour and parts to repair the unit at the service company's standard rate.

LEGAL DISCLAIMER: Because we are committed to improving our products, the details above may change without prior warning. This User Manual is published without warranty and any improvements or changes to the User Manual necessitated by typographical errors, inaccuracies of current information, or improvements to programs and/or equipment, may be made at any time and without notice. Such changes will be incorporated into new editions of the User Manual.