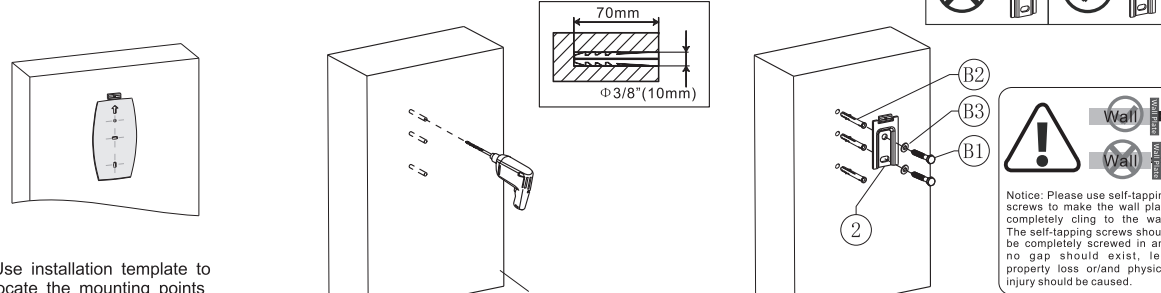


# VISION

## VFM-WS

B1		x3	B2		x3	B3		x3
----	---	----	----	---	----	----	---	----

**1-A**



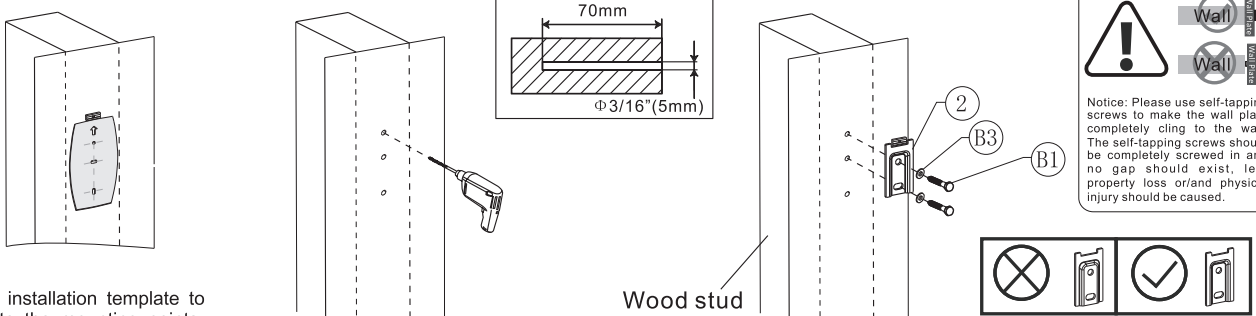
Use installation template to locate the mounting points

Concrete Wall

70mm  
Φ 3/8" (10mm)

Notice: Please use self-tapping screws to make the wall plate completely cling to the wall. The self-tapping screws should be completely screwed in and no gap should exist, lest property loss or/and physical injury should be caused.

**1-B**



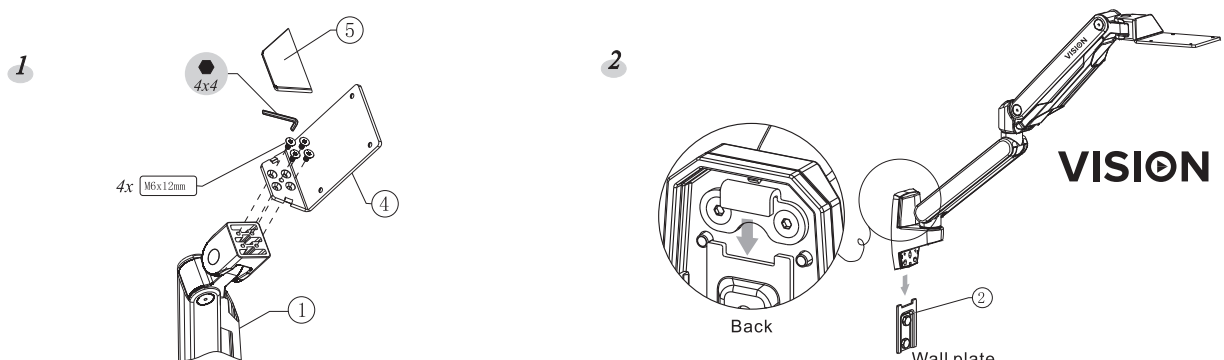
Use installation template to locate the mounting points

Wood stud

70mm  
Φ 3/16" (5mm)

Notice: Please use self-tapping screws to make the wall plate completely cling to the wall. The self-tapping screws should be completely screwed in and no gap should exist, lest property loss or/and physical injury should be caused.

**2**



4x4

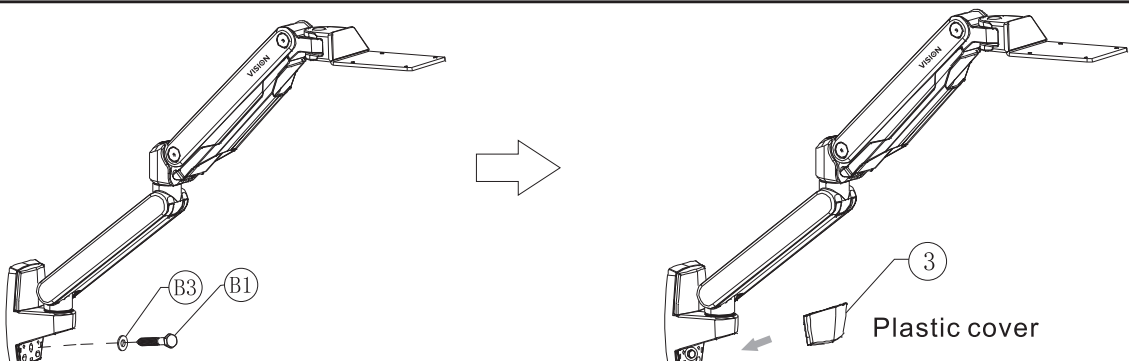
4x M6x1.2mm

Back

Wall plate

VISION

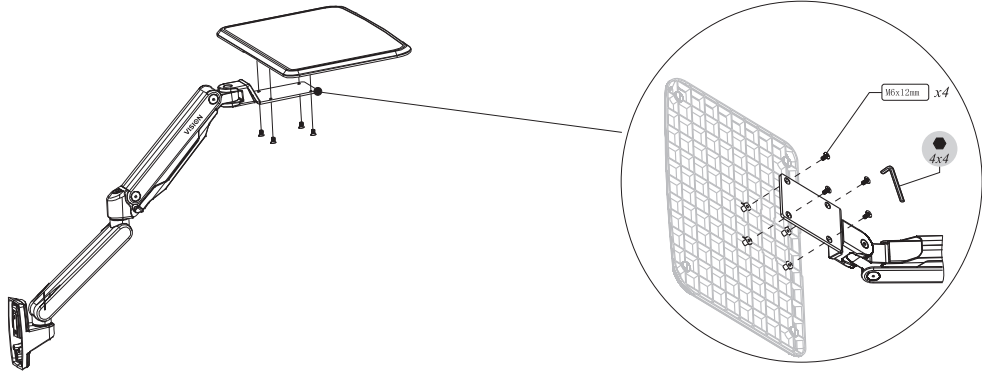
**3**



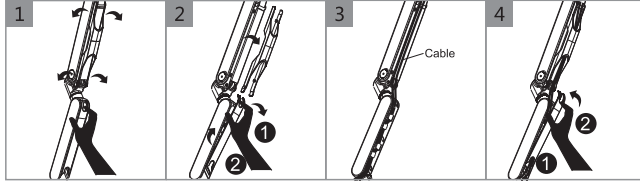
Plastic cover

B3 B1

4



5



Adjust the monitor's height after installing. If the monitor cannot stop at any height, pls use the supplied 6x6 allen key to adjust the screw on the arm. To make the mount and monitor's weight equal and it can stop at any height, pls adjust the screw in "-" direction when the monitor up and "+" direction when it down.

