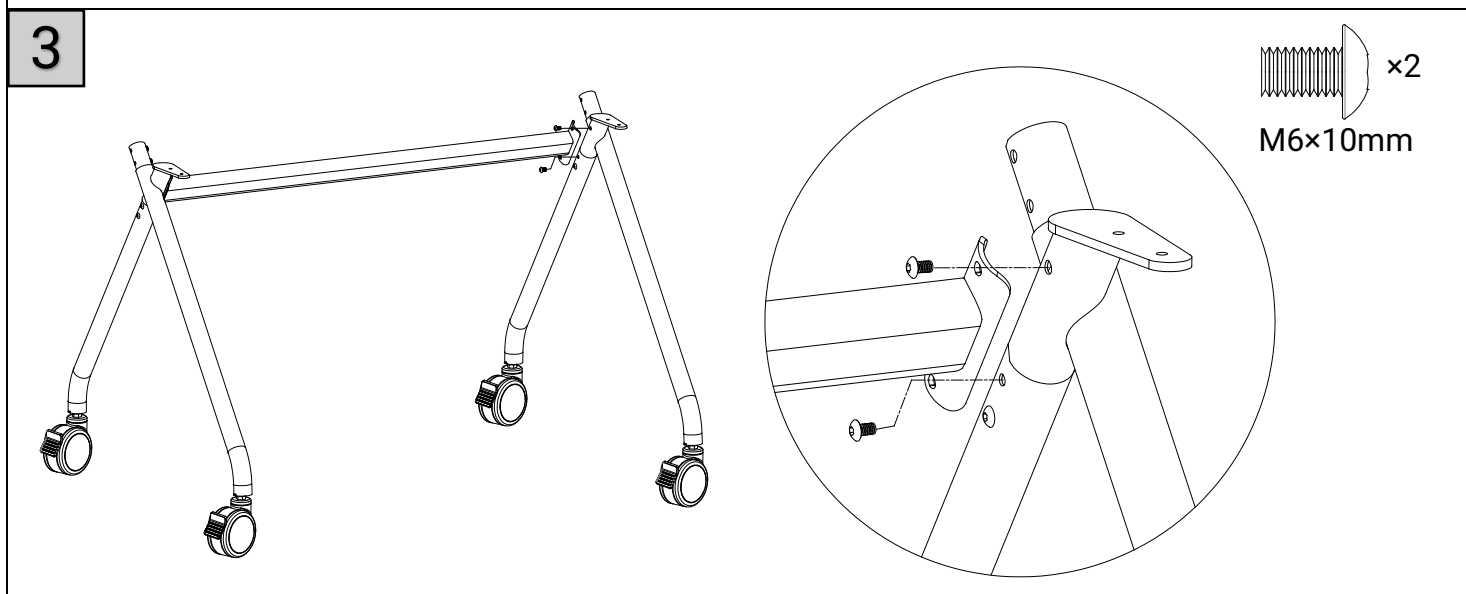
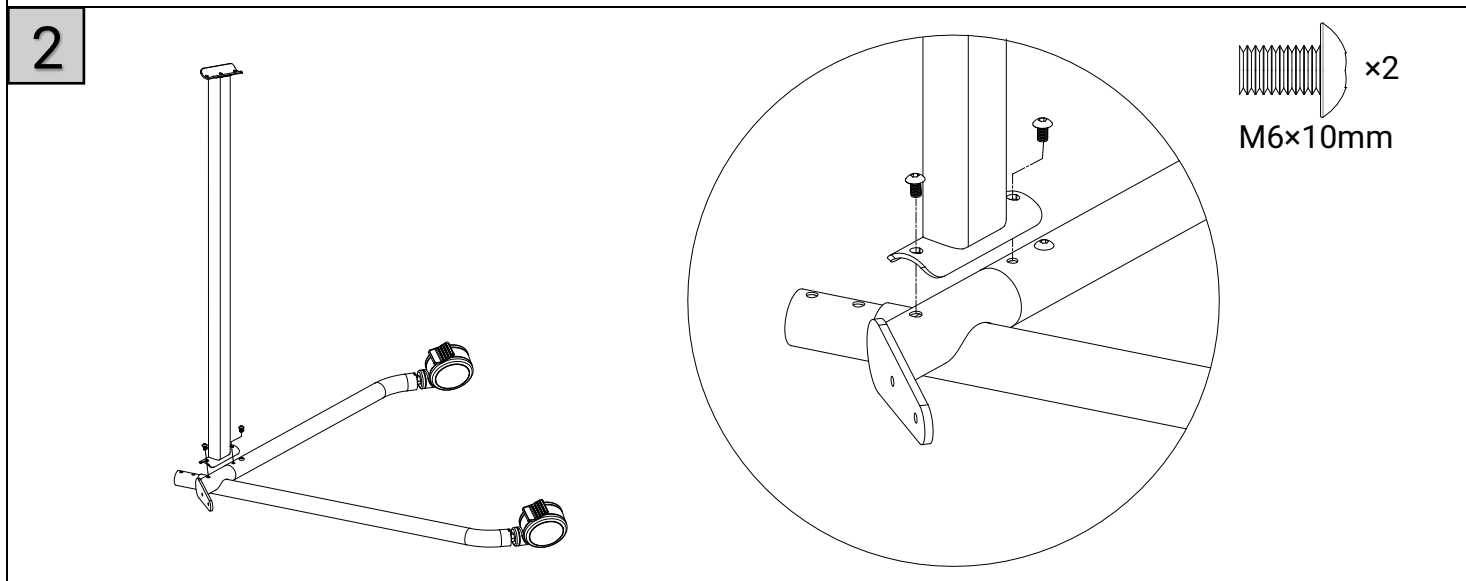
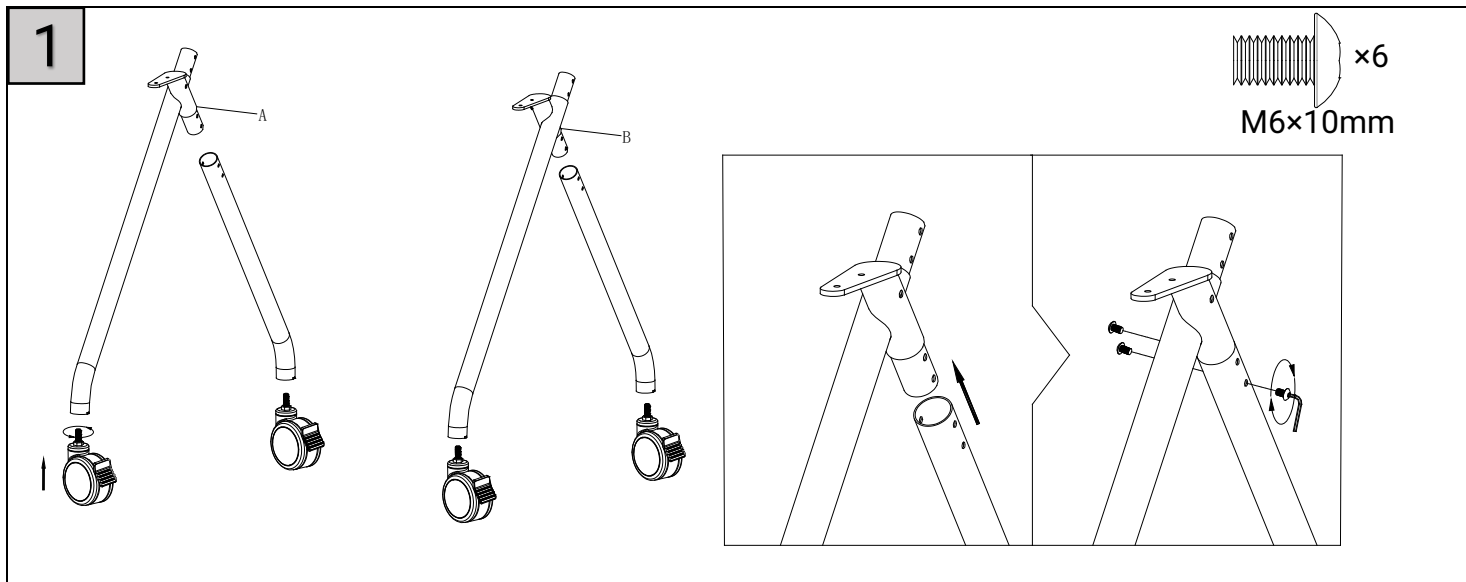


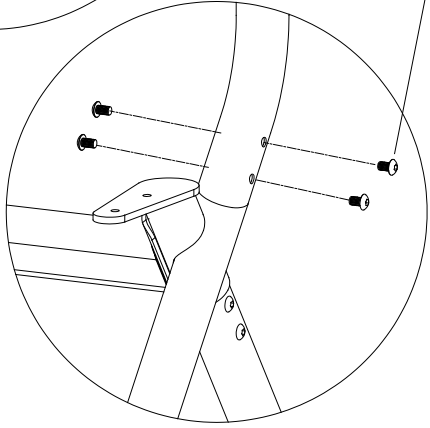
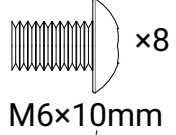
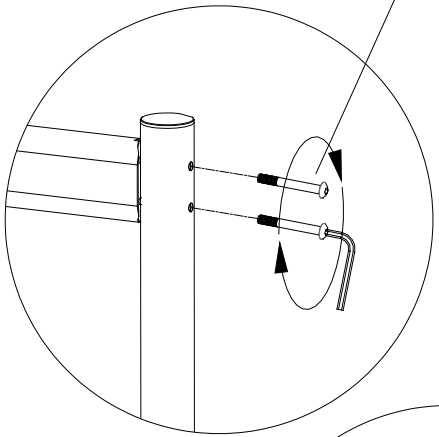
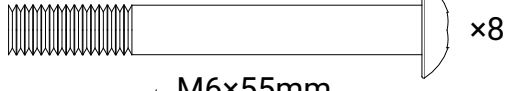
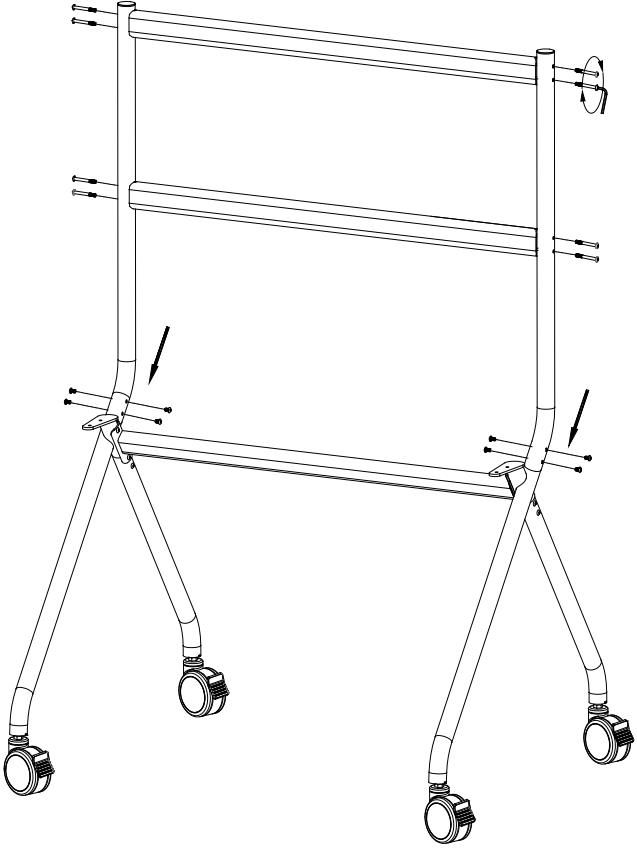
# VFM-F12

# VISION

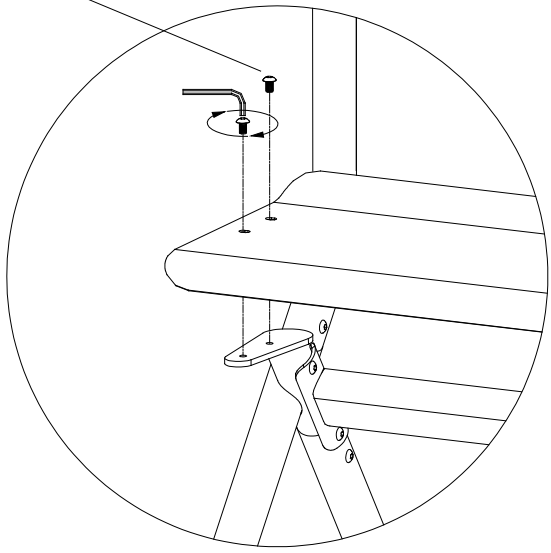
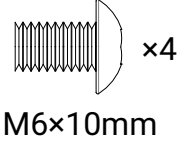
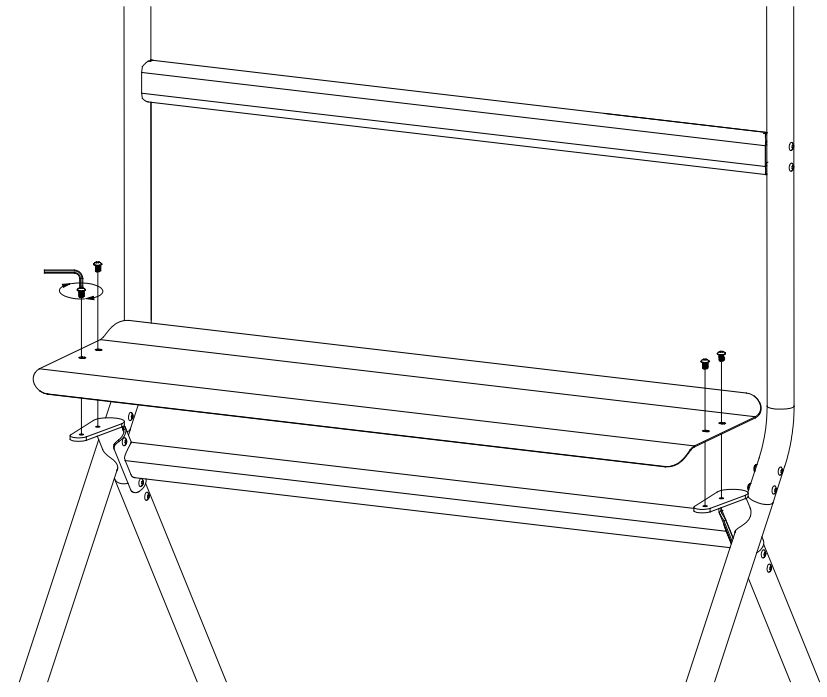
[vav.link/vfm-f12/](http://vav.link/vfm-f12/)



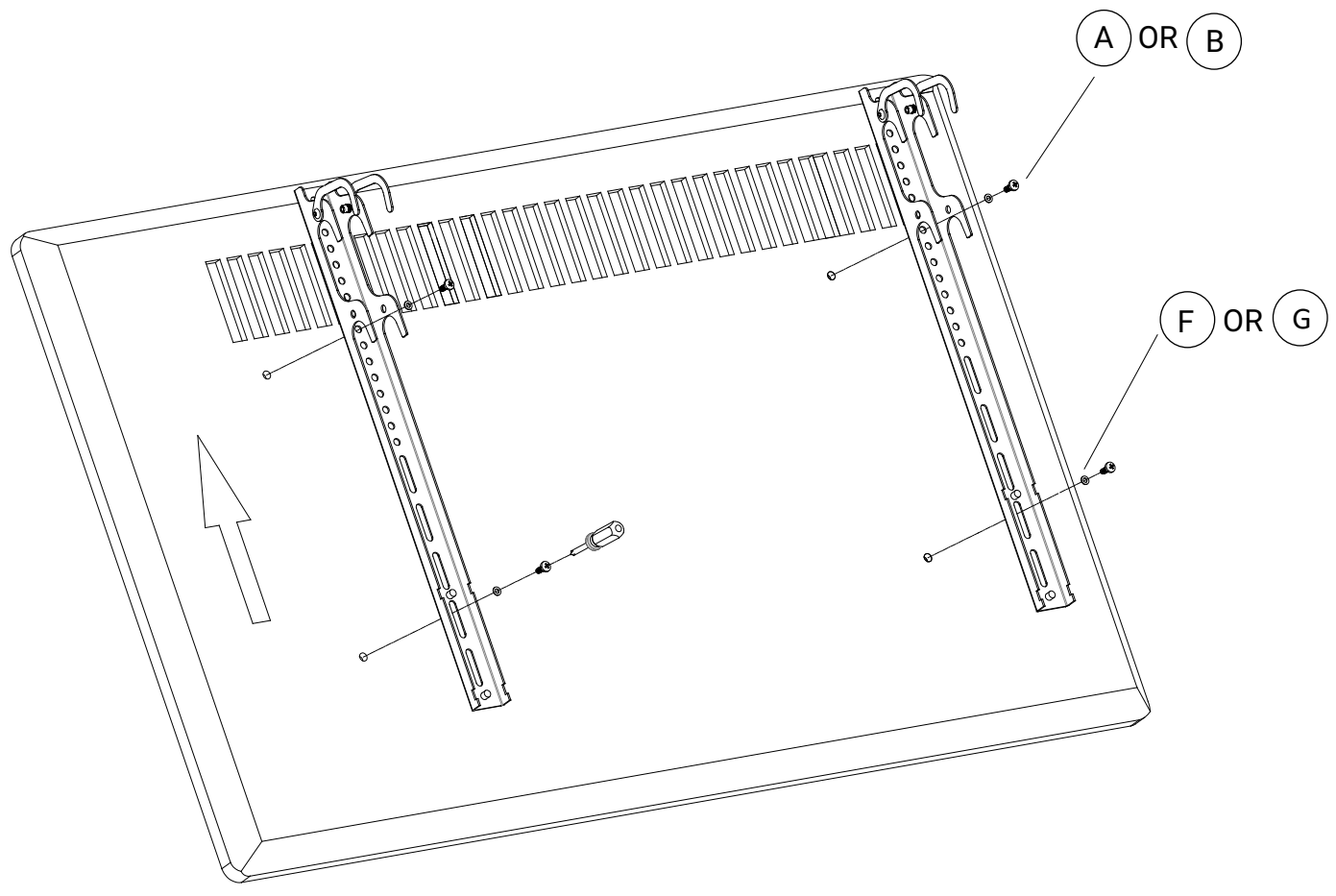
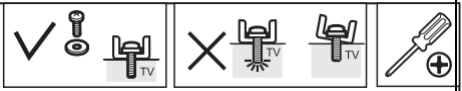
4




5




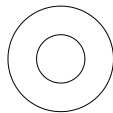
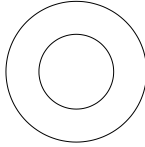
6a



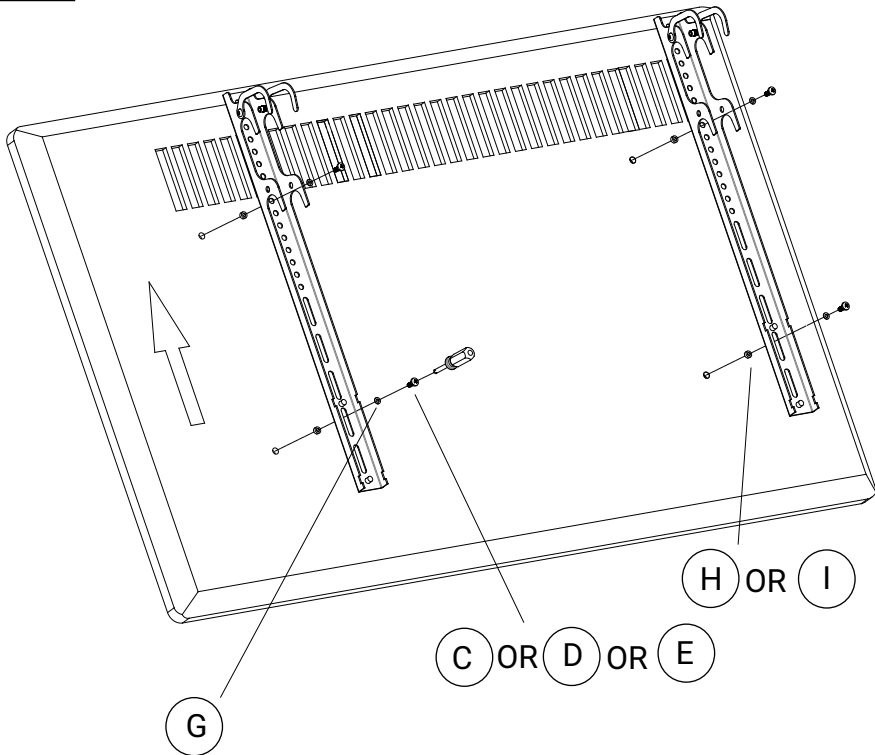
**OPTIONAL**

(A)  x4  
M5x14mm


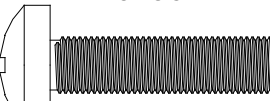
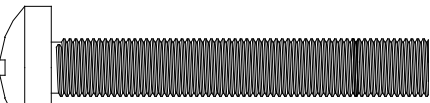
(B)  x4  
M6x14mm

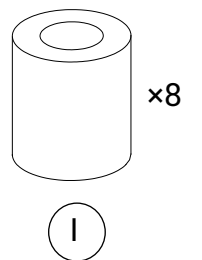
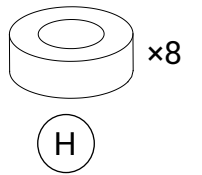
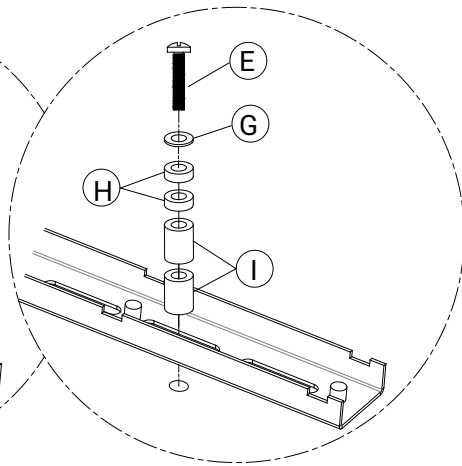
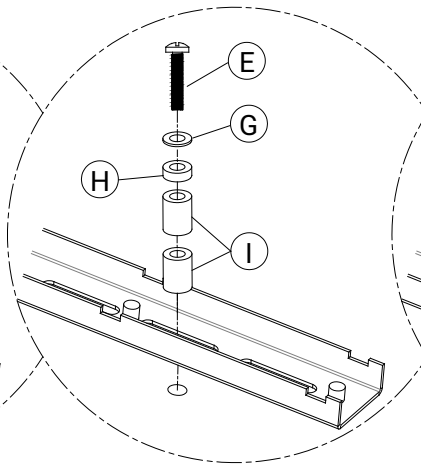
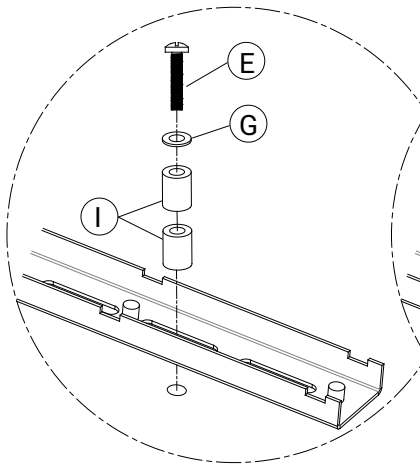
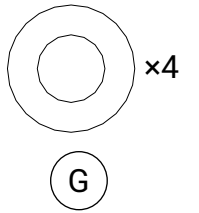
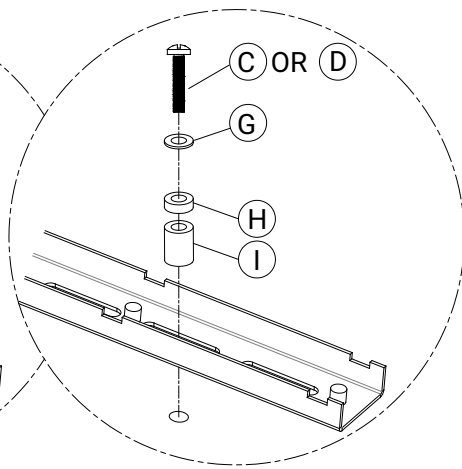
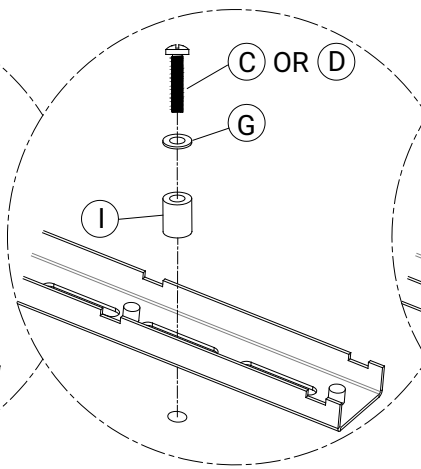
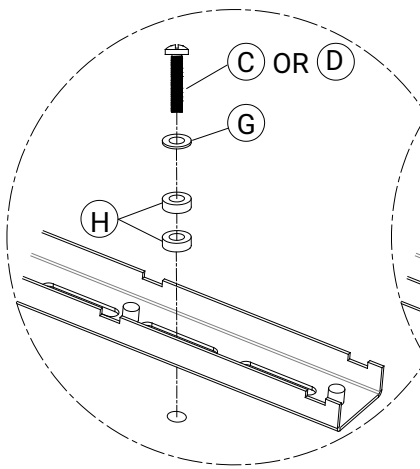
 x4       x4  
(F)                      (G)

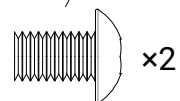
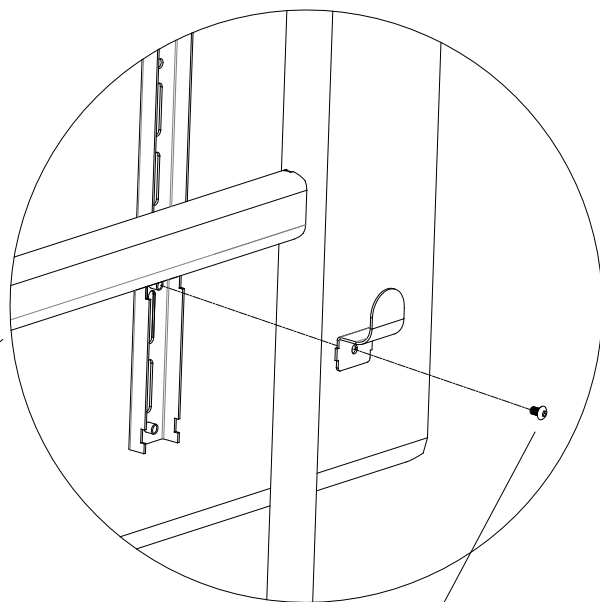
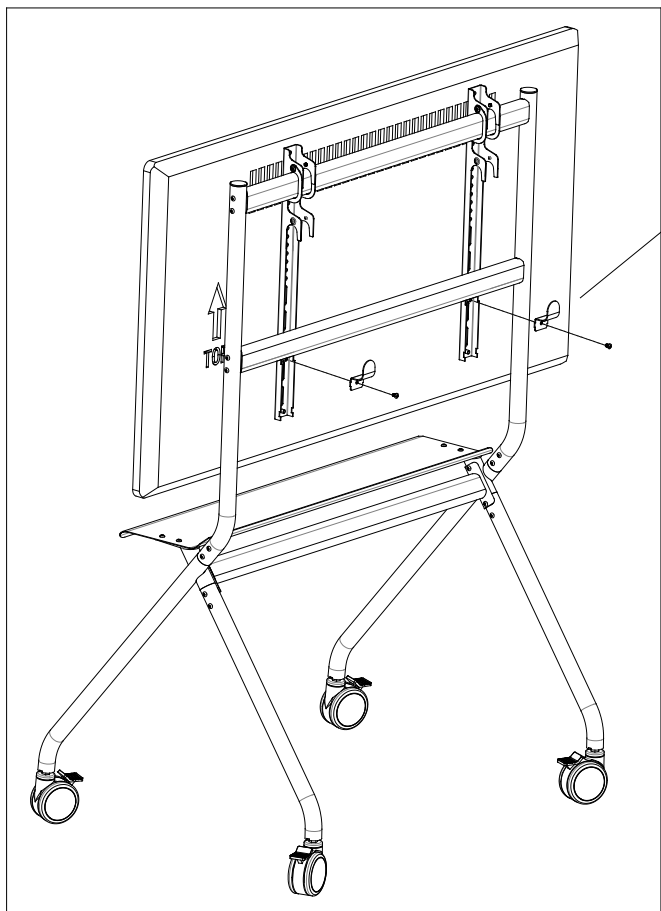
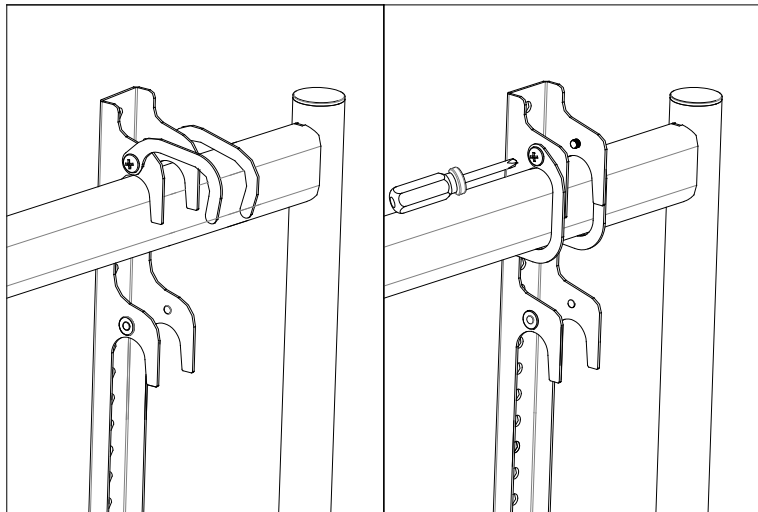
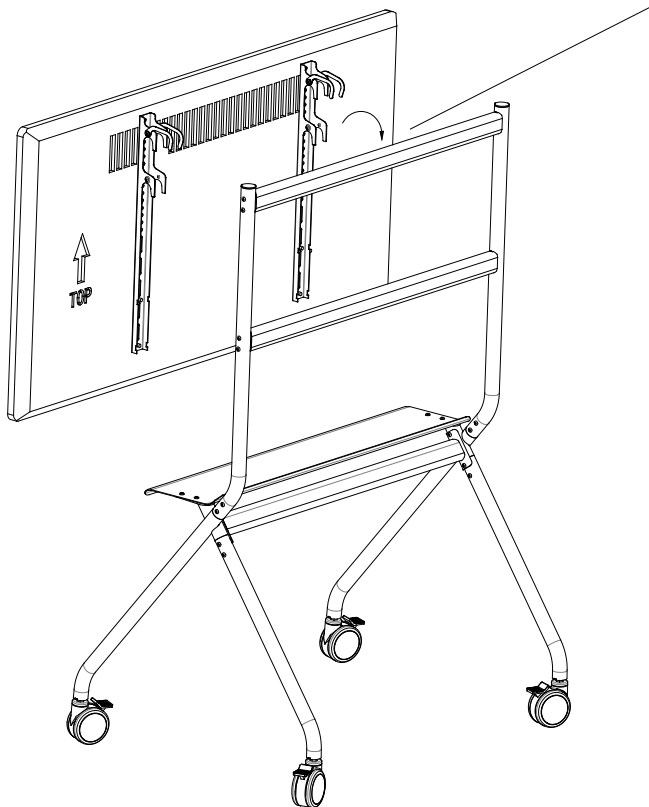
6b



OPTIONAL

- C  x4  
M6x30mm
- D  x4  
M8x30mm
- E  x4  
M8x50mm





x2

M6x10mm