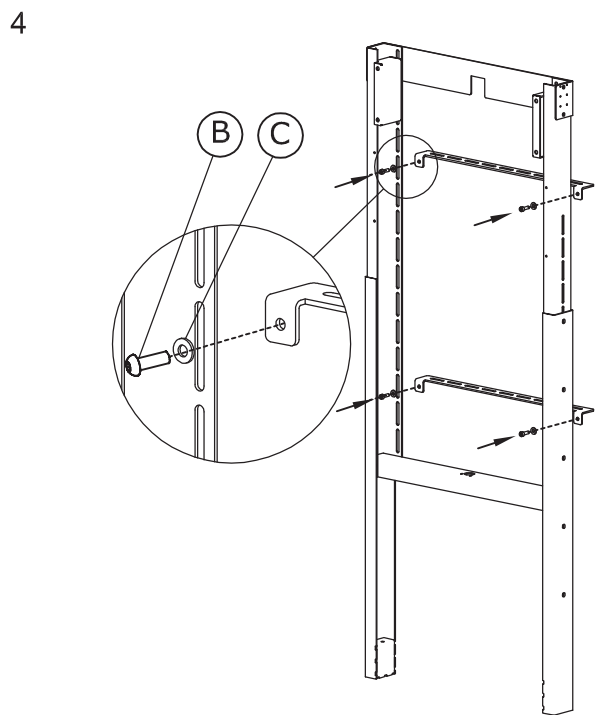
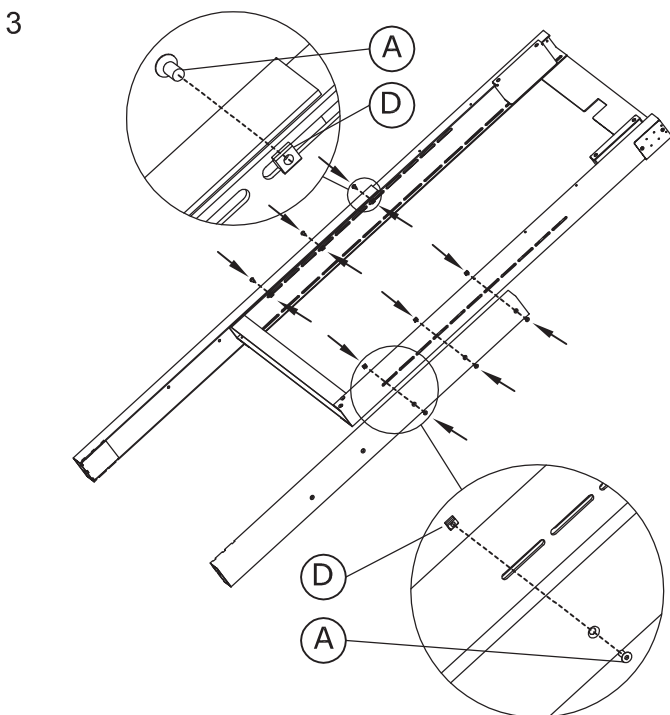
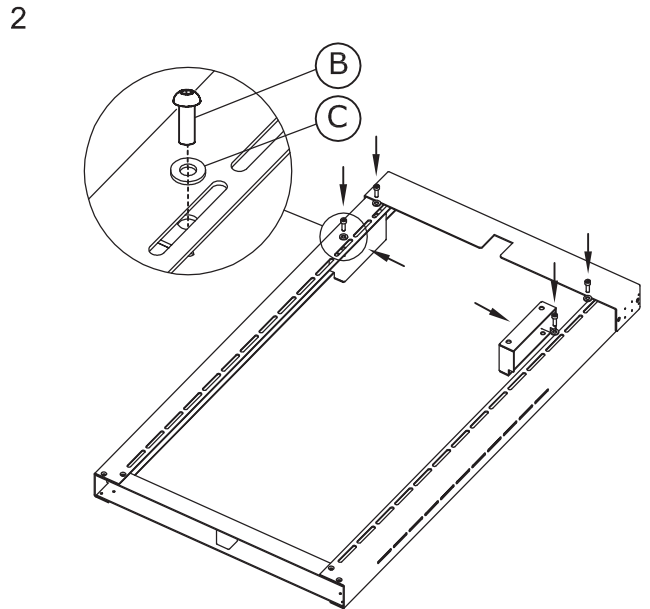
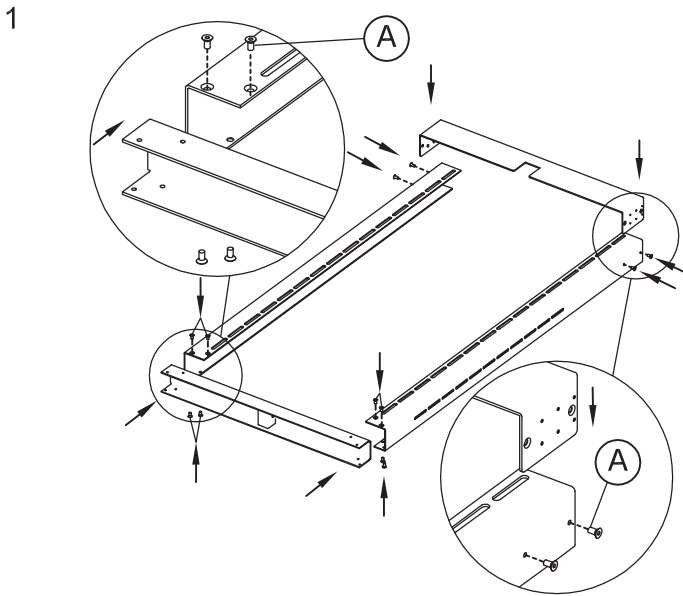


VISION

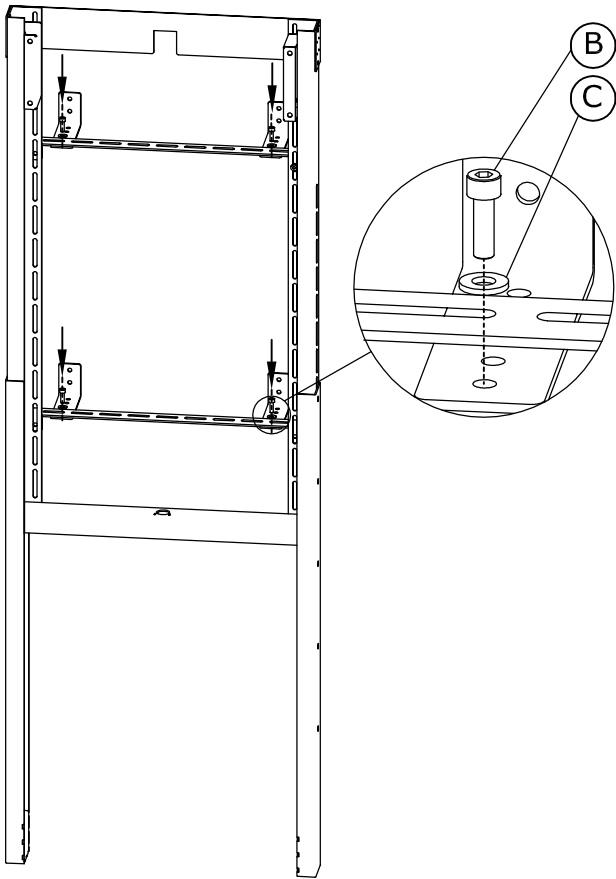
VFM-F



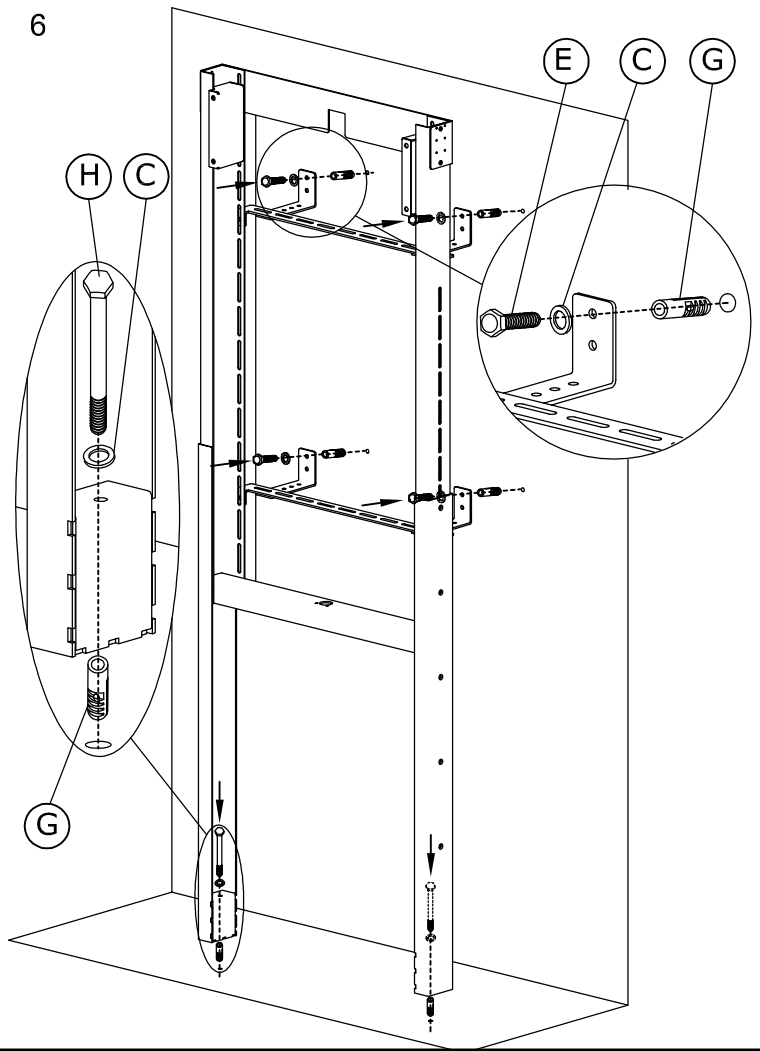
(A)	M6×12mm		×18	(B)	M8×25mm		×16
(C)	∅8		×16	(D)	M6		×7
(E)	ST8×50mm		×8	(F)	∅8		×10
(G)	∅10×50mm		×10	(H)	ST8×150mm		×2
(I)	M5×16mm		×4	(J)	M6×16mm		×4
(K)	M8×16mm		×4	(L)	M5×40mm		×2



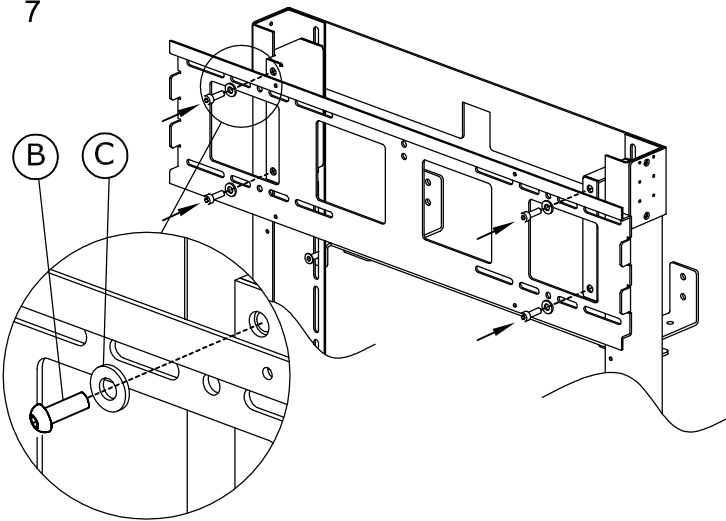
5



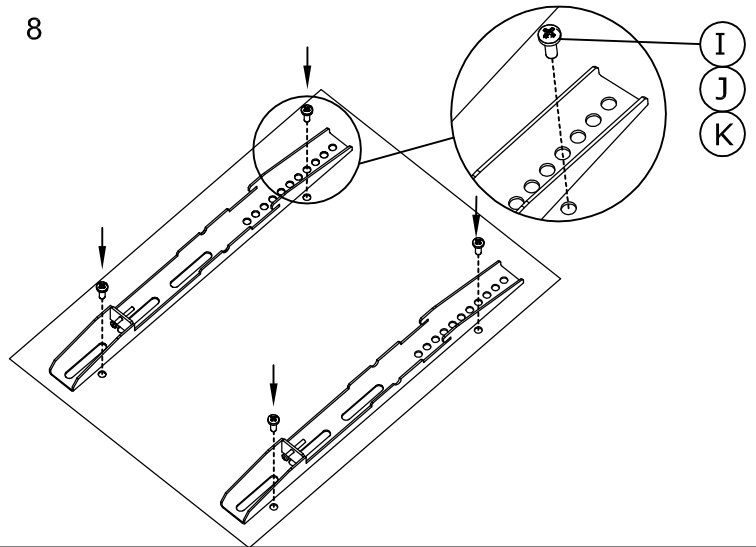
6



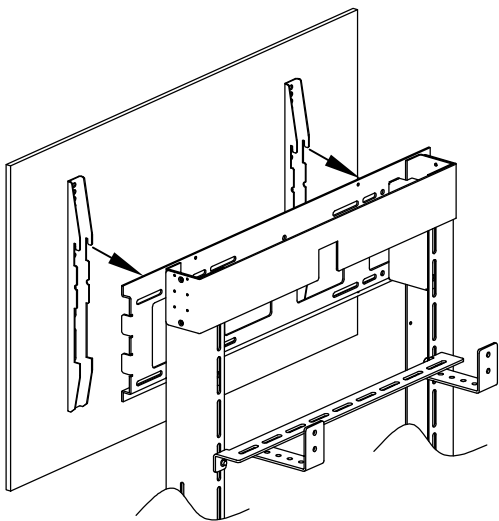
7



8



9



10

