


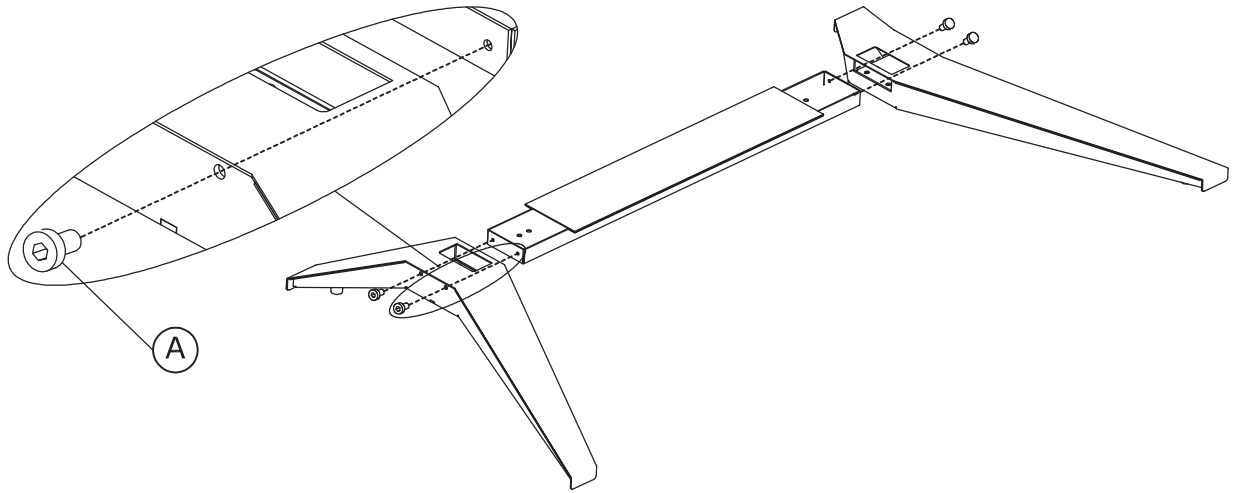


VISION

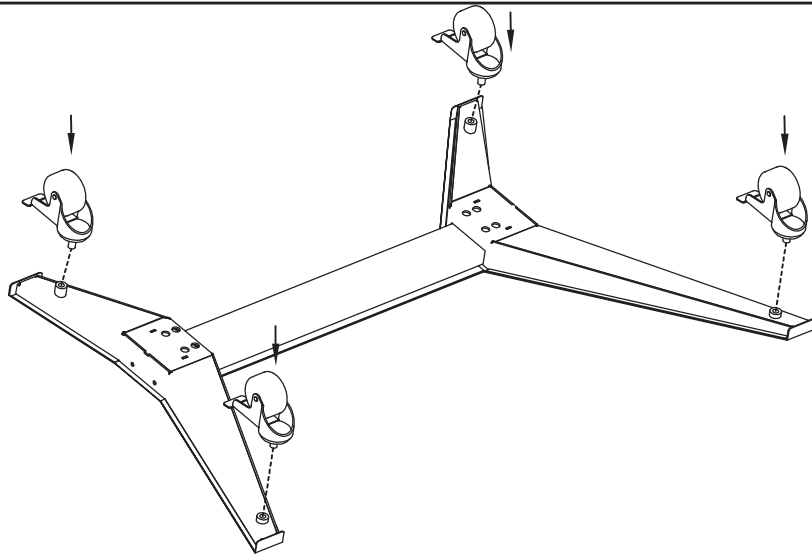
VFM-FW2

(A)	M6×20mm		×12	(B)		×8
(C)	∅6		×8			

1



2



3

